

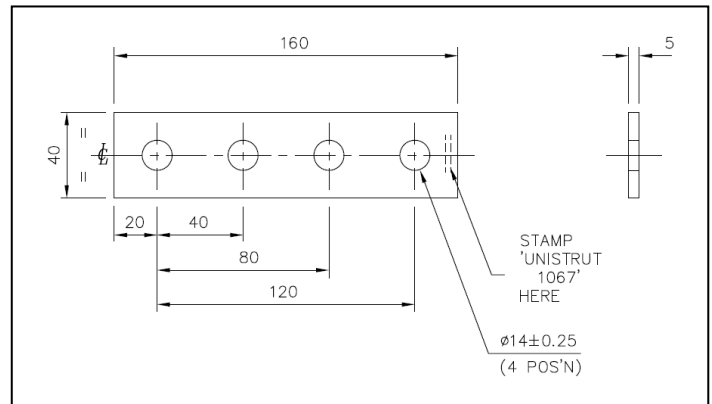
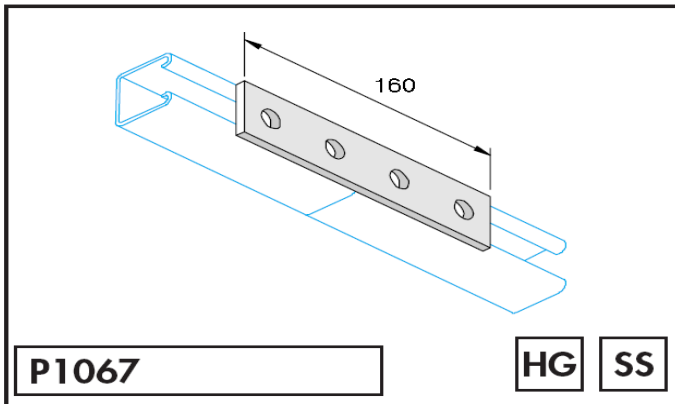
# Product Data Sheet

Ref: P1067 Issue: D Date: April 2012

**UNISTRUT**<sup>®</sup>



## P1067 - FLAT PLATE FITTING



**Materials:** Mild Steel to BS EN 10149-2-S315MC or Q345

Stainless Steel to BS EN 10088-2-1.4404+1D (S316)

**Fixings:-** All 14mm diameter holes use M12 grade 8.8 hex head screws with M12 BSEN 10025 S275 or Q235 channel nuts.

**Finishes:** Hot Dip Galvanized - Process in accordance with BS EN ISO 1461 to a mean coating thickness (minimum) of 55µm.  
or  
Stainless Steel - Self Colour

**Application:-** Drawings illustrate the fitting being used with P1000.- 41mm square channel. Loading data varies due to specific application, for all queries contact Unistrut UK.

**Assembly:-** One piece assembly.

**Part Weight:** 0.264 Kg

**Box Weight:** 5.28 Kg

**No. Per Box:** 20

### UNISTRUT HEALTH & SAFETY DATA SHEET REF'S :

No. 001 - PLAIN STEEL, PRE-GALVANIZED, GALVANIZED AND STAINLESS STEEL COMPONENTS

No. 099 - HOT DIP GALVANIZING (CHANNEL & COMPONENTS)

No. 102 - STEEL

