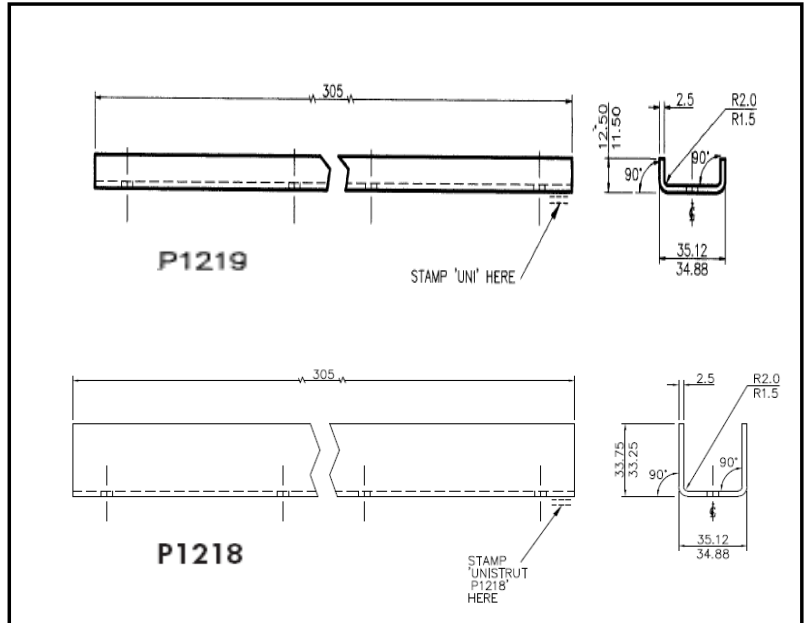
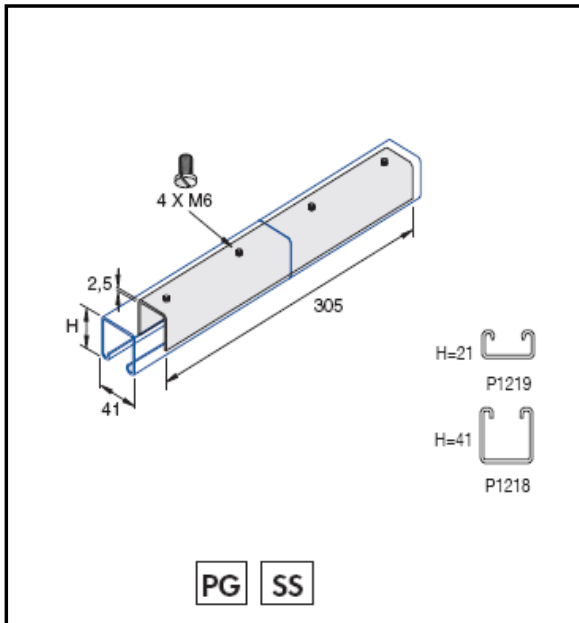


P1218/P1219 - CHANNEL COUPLER



Material: Mild Steel to BS EN 10346-1.0244 Z275-N (or M) -A-C
Stainless Steel to BS EN 10088-2-1.4404+1D (S316)

Fixings:- Each supplied with 4 - M6 Screws.

Finishes: Pre Galvanized -Process in accordance with BS EN 10346-1.0244 Z275-N (or M) -A-C
Stainless Steel - Self Colour.

Application: P1218 - For use with P1000 Type Channels.
P1219 - For use with P3300 Type Channels

P1218
Part Weight:- 0.519 Kg
Box Weight: 5.19 Kg
No. Per Box; 10

P1219
Part Weight:- 0.30 Kg
Box Weight: 6.0 Kg
No. Per Box; 20

UNISTRUT HEALTH & SAFETY DATA SHEET REF'S :

- No. 001 - PLAIN STEEL, PRE-GALVANIZED, GALVANIZED AND STAINLESS STEEL COMPONENTS
- No. 099 - HOT DIP GALVANIZING (CHANNEL & COMPONENTS)
- No. 102 - STEEL



BS EN ISO 9001
Cert. FM825