

Catalogue

UNISTRUT®

CABLE MANAGEMENT & METAL FRAMING

A PART OF


atkore
INTERNATIONAL



Carl Jones
President | Director
International Raceway

“New developments in our product and service offering have ensured continuous improvements for everyone in our network”

Unistrut has further consolidated its market-leading position and is now able to deliver all elements of electrical raceway, with products incorporating every aspect of a structure's electrical and service containment.

Recent exciting developments for the company have set us in a unique position where we can now offer a guaranteed one-stop service with the ability to meet the needs of any specification across multiple sectors.

Moving forward we will continue to innovate, develop and strengthen our core product lines whilst introducing new products and accessories to support our broad and growing customer group.

Represented under the shared Atkore brand, together with Marco Cable Management and Flexicon we are the UK's market leader and with the resources, technology and products in place, are ready to support you with your next project.



90

YEARS OF
INNOVATION

Unistrut: More than you imagine

Unistrut has been the leading supplier of metal framing systems for over 90 years. We specialise in Channel Framing, Cable Management and Prefabricated Framing, and our products and services are synonymous with engineering excellence and reliability worldwide.

Over ninety years of innovation

Unistrut began developing and manufacturing products during the 1930s, producing the original Unistrut metal framing system. Our extensive product portfolio now includes a variety of cable management solutions and advanced metal framing systems.

Sharing our experience, knowledge and expertise

We continue to make investments in our people, products and services. Our ability to share our experience and knowledge with our customers is the key to our success in a wide range of industry sectors.

Part of the Atkore International family

Atkore is a major manufacturer and innovator with a unique focus on steel frame, pipe and electrical products. As part of the Atkore family we can draw on a variety of technologies, products and experience from Atkore companies throughout the world.

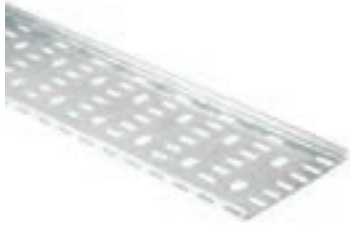
Raceway. Your Way

Electrical raceway is the mechanical infrastructure that deploys, isolates and protects a structures electrical circuitry from source to outlet.

A PART OF  **atkore**
INTERNATIONAL

RACEWAY.
YOUR WAY.™

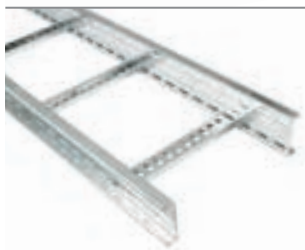
Contents



About Cable Tray	9
Unistrut Cable Tray	10
Cable Tray Fittings	15
Accessories	22
Technical Data	27



Materials & Finishes	39
Support Systems	63
Lighting Supports	66
Fixings	68
Kwikstrut	76



About Cable Ladder	83
Unistrut Cable Ladder	84
Cable Ladder Fittings	89
Accessories	99
Technical Data	106



About Cable Trunking	115
Unistrut Cable Trunking	116
Cable Trunking Fittings	118
Accessories	128
Lighting Trunking	132
Lighting Trunking Fittings	134



Pipe Clips	138
Fittings	144



Modular & Pre-Fabricated Services	152
Modular Framing Solutions	154
2D & 3D Modules	156
Rooftop Support Modules	160



Marco Cable Management Overview	162
Flexicon Conduit Solutions Overview	167

Cable Tray

Metal Framing

Cable Ladder

Steel Trunking

Pipe Clips

Modular

Marco & Flexicon

Unistrut : Product Family

Using our standard range as a starting point, Unistrut can engineer and manufacture comprehensive cable management and framing systems for a wide variety of applications. For specialist jobs we can offer a broad range of bespoke finishes as well as the more standard requests.

Cable Trays

PG HG SS

Available in US, UK and European standard patterns, our cable trays come in a wide range of sizes and finishes, including a self splicing fast assembly variant for both installation efficiency and maximum application versatility.

Unistrut's cable trays are available in Extra Heavy Duty options, for applications where additional strength is required.

A broad variety of finishes, fits and shapes ensure we have the widest range of cable tray systems in the industry.



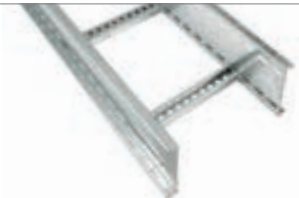
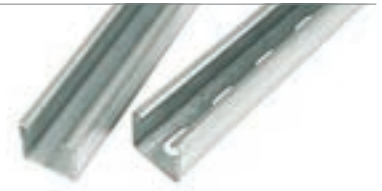
Metal Framing

PG HG SS DH PO

The original Unistrut metal framing offers unrivalled quality and durability and is designed to work with the full range of new Unistrut parts and accessories.

Designed and created by us, our metal framing underlines our commitment to produce products you'll be proud to install.

Available in multiple materials and finishes including : Pre-galv, Hot-dip galv, plain oil and supported by comprehensive range of fittings and accessories this range gives you a solution to meet all your application and environmental needs.



Cable Ladders

PG HG SS DH

Unistrut cable ladders are the ideal solution when installing large power cables that need to be supported safely. Available in light, medium and heavy duty patterns to suit your application.

As with our other products we can produce these in a variety of materials and finishes including our Cope Glas tray - a fibreglass cable ladder system.

Cable Trunking

PG

The Unistrut Trunking system is designed to be quick and simple to assemble, providing real time saving as well as remaining a reliable product throughout its natural life cycle.

Pre-assembled Internal Trunking Connectors allow you to securely connect trunking lengths in seconds, giving a neat external finish.



PG Pre Galv

HG Hot Dipped Galv

SS Stainless Steel

PO Plain Oil

ZP Zinc Plated

DH Deep Galv

PC Powder Coated



Working through a wide range of industries

Our products help to support the infrastructure that is vital to modern industry and commerce. The Unistrut product range can be seen in over 50 industry sectors where expertise and reliability are vital to success. Our team of experts design and deliver projects that keep industry functioning – from the petrochemical sector to transportation, from the oil and gas industry through to the latest developments in high-tech data centres, Unistrut have the products to support your solution.

Sector/Products	Channel (PG/HDG)	Channel (SS)	Channel (ZD)	Channel (AL)	Ladder (PG/HG)	Ladder (SS)	Tray (PG/HG)	Tray (DH/SS)	Trunking (PG)
Oil & Gas		X				X			
Rail	X				X		X		X
Data Centre	X		X				X		
Aviation	X				X		X		X
Petrochemical		X				X			
Renewable Energy	X			X	X		X		
Heavy Industry	X				X		X		
Healthcare	X	X							
Commercial Construction	X				X		X		X
Mines, Metals & Minerals	X				X		X		
Marine		X				X		X	

Engineered Solutions

We understand the challenges that modern infrastructure projects create. It's often the case that an off-the-shelf solution is unable to answer all of your needs and requirements – especially when there are specific location, timing, or environmental issues to consider.

In these situations a bespoke solution can offer you the durability and flexibility you need to successfully deliver your project. Our bespoke manufacturing service specialises in solving complex cable management issues. Our ability to assess, design, engineer and support bespoke systems has proven to be invaluable on a variety of major projects.

Quality Standards

Made in the UK the Unistrut name remains synonymous with engineering excellence, so it's no surprise we pride ourselves on our attention to detail and quality.

Our commitment to matching and exceeding quality standards (where possible) means that we remain at the forefront of the industry for providing products you can trust.



Fully Certified and Tested Systems for Complete Peace of Mind

Aided with Unistrut's loading software, we offer a comprehensively tested Unistrut cable management system from lengths through the fittings and accessories. This fully certified bank of data, there to give you peace of mind and to help us specify the best solution, with cable management and framing solutions.

Our partnering approach and complete dataset means that in real terms we can offer exceptionally accurate bespoke solutions. So you can be sure that what you what you design and specify on paper is what you'll get in real world applications.

Streamlined specification process and reduced in-place costs

Our experience and scale allows us to streamline the specification process and offer solutions which engineer out costs at design and implementation stage.





Project C610 - Utilising UNISTRUT® Cable Management & Bracketry



Quality that keeps on going, Complete solutions from the UK's Number 1

Channel Framing. Cable Ladder. Cable Tray. uPVC Trunking. Prefabrication.

Unistrut & Marco have been supplying the UK rail industry for over a combined 100 years, with quality solutions to suit all kinds of on-site requirements. Cost effectiveness and ease of installation make sure all your rail projects are delivered on time.

For more information, contact us or visit us online at
www.unistrut.com and www.marcocm.com

RACEWAY. YOUR WAY.™

UNISTRUT®

marco
cablemanagement

Autocore
TECHNICAL

Cable Trays

The complete range of cable tray from Unistrut

UNISTRUT®

The Cable Tray Range

The complete range of Unistrut cable Tray for use in Light, Medium and Heavy duty applications. Available in a variety of sizes the Unistrut system provides the ultimate in flexibility, quality and speed in cable management. Ideal for all your cable applications from low power control & signalling to mains power supply cabling. With a complete range of fixings and accessories including bends and risers.

- ◆ All material is European standard graded
- ◆ Available in UK standard slot pattern
- ◆ Available in multiple finishes for a wide range of jobs, including Galvanised and Stainless Steel.
- ◆ An extensive range of dedicated accessories, bracketry and support systems.
- ◆ Commercial buildings, including office blocks, shopping centres and super markets
- ◆ Hospitals, Data centres, correction facilities
- ◆ Infrastructure applications such as Airports, road and rail tunnels.
- ◆ Automotive industry
- ◆ Petrochemical, Food and Beverage and general industrial applications





Unistrut slot Pattern

Traditional Unistrut standard design in use since 1965, synonymous with strength and quality.

Light Duty

Available in 3m lengths with depths of 12mm (50mm wide to 225mm wide) and 18mm (300mm to 900mm wide), in [PG] Pre-galvanised, [HG] hot-dip galvanised and [SS] stainless steel finishes.

Medium Duty

Available in 3m lengths with a depth of 25mm and widths from 50 to 900mm, in [PG] Pre-Galvanised, [HG] hot-Dip Galvanised and [SS] Stainless steel finishes.

Heavy Duty

Available in 3m lengths with a depth of 50mm and widths from 75 to 900mm, in [PG] Pre-Galvanised, [HG] Hot-Dip Galvanised and [SS] stainless steel.

Extra Heavy Duty*

Available in 3m lengths with a depth of 50mm and in 75 & 100mm widths. Finish applications include [PG] Pre-Galvanised, [HG] Hot-Dip Galvanised and [SS] stainless Steel.

*Details on extra heavy duty tray available upon request.

Cable Trays - Unistrut

Unistrut Tray - Features

- ◆ UK traditional Slot pattern
- ◆ Widths : 50, 75, 100, 150, 225, 300, 450, 600, 750 and 900mm
- ◆ Compatible with Unistrut Fittings only
- ◆ Stock held in the UK

Standard Material & Finish Codes

Finish	Code
Pre-Galvanised	PG
Hot Dipped Galvanised	HDG
Stainless Steel	SS

Other materials and finishes available upon request.
Materials standards and details can be found on page 27.

Icon Key - Feature



Inc Fittments



Sold as Pair



Sold as Individual

Material Standards

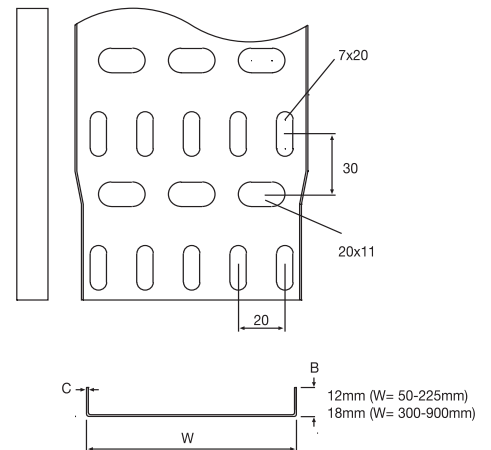
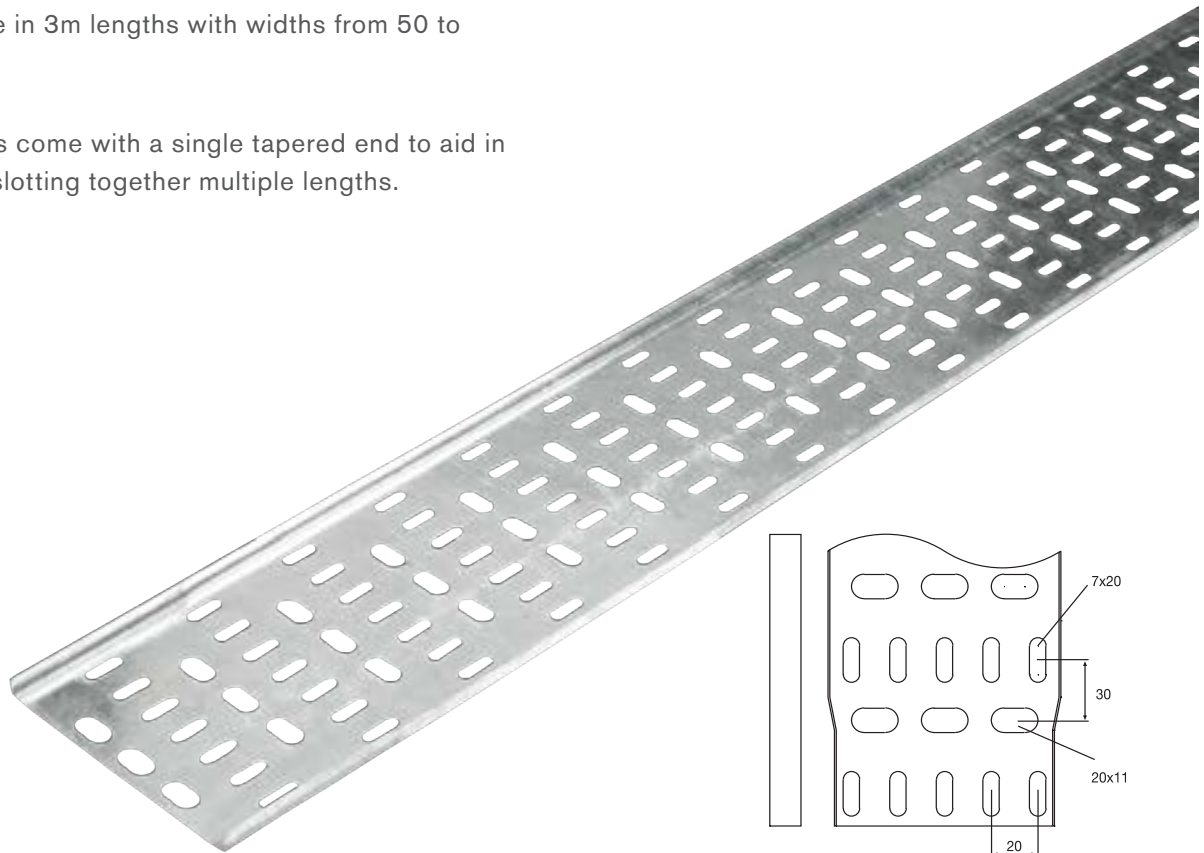
Finish	Standard
PG	Pre-Galvanised Steel to BS EN 10346 DX51D Z275-N-A-
HG	Mild Steel to BS EN 10111 - DD11 or BS EN 10139 - DC01
DH	BS EN 10025 S275JO+AR+CL1 or equivalent/ better - 2mm thick min. material.
SS	Stainless Steel - Hot Rolled to B.S.EN10088-2-1.4404+1D

Unistrut Light Cable Tray

Light weight for easy installation and complete with wide range of accessories and fixings to suit.

Available in 3m lengths with widths from 50 to 900mm.

Straights come with a single tapered end to aid in quickly slotting together multiple lengths.



Sold as Individual

Size (W)	Part No.			W	B	C	Weight
	PG	HG	SS				
50mm x 3m	TULL050/10PG	TULL050/10HG	TULL050/10SS	50	12	0.80	1.23
75mm x 3m	TULL075/10PG	TULL075/10HG	TULL075/10SS	75	12	0.80	1.68
100mm x 3m	TULL100/10PG	TULL100/10HG	TULL100/10SS	100	12	0.80	2.13
150mm x 3m	TULL150/10PG	TULL150/10HG	TULL150/10SS	150	12	0.80	2.86
225mm x 3m	TULL225/10PG	TULL225/10HG	TULL225/10SS	225	12	0.80	3.92
300mm x 3m	TULL300/15PG	TULL300/15HG	TULL300/15SS	300	18	1.20	7.98
450mm x 3m	TULL450/15PG	TULL450/15HG	TULL450/15SS	450	18	1.20	18.25
600mm x 3m	TULL600/20PG	TULL600/20HG	TULL600/20SS	600	18	1.20	30.37
750mm x 3m	TULL750/20PG	TULL750/20HG	TULL750/20SS	750	18	2.00	39.45
900mm x 3m	TULL900/20PG	TULL900/20HG	TULL900/20SS	900	18	2.00	47.01

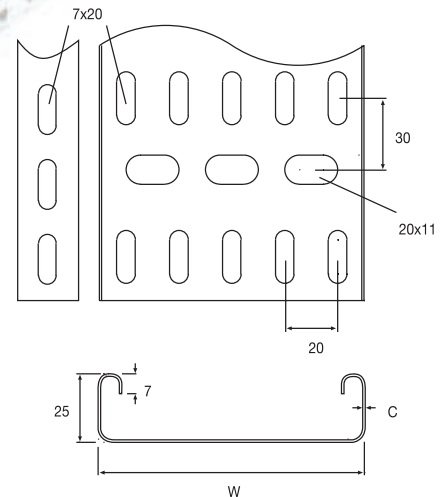
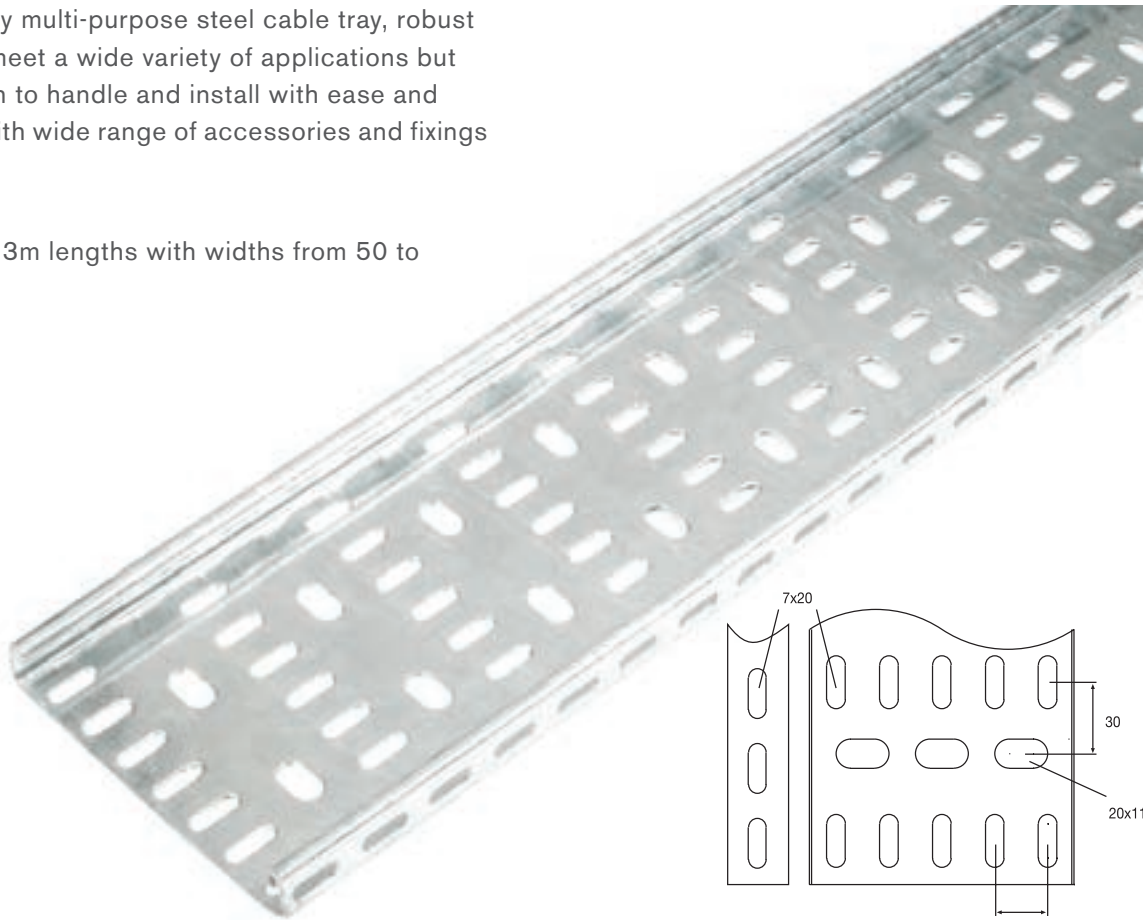
100mm Extra Heavy Duty Tray also available. Contact our team for more information.

Medium Duty

Unistrut Medium Cable Tray

Medium duty multi-purpose steel cable tray, robust enough to meet a wide variety of applications but light enough to handle and install with ease and complete with wide range of accessories and fixings to suit.

Available in 3m lengths with widths from 50 to 900mm,



Sold as Individual

Size (W)	Part No.			W	C	Weight
	PG	HG	SS			
50mm x 3m	TUMLT050/10PG	TUMLT050/10HG	TUMLT050/10SS	50	0.80	2.02
75mm x 3m	TUMLT075/10PG	TUMLT075/10HG	TUMLT075/10SS	75	0.80	2.48
100mm x 3m	TUMLT100/10PG	TUMLT100/10HG	TUMLT100/10SS	100	0.80	2.93
150mm x 3m	TUMLT150/10PG	TUMLT150/10HG	TUMLT150/10SS	150	0.80	3.72
225mm x 3m	TUMLT225/10PG	TUMLT225/10HG	TUMLT225/10SS	225	0.80	4.97
300mm x 3m	TUMLT300/15PG	TUMLT300/15HG	TUMLT300/15SS	300	1.20	9.13
450mm x 3m	TUMLT450/15PG	TUMLT450/15HG	TUMLT450/15SS	450	1.20	12.82
600mm x 3m	TUMLT600/15PG	TUMLT600/15HG	TUMLT600/15SS	600	1.20	16.5
750mm x 3m	TUMLT750/20PG	TUMLT750/20HG	TUMLT750/20SS	750	2.00	40.75
900mm x 3m	TUMLT900/20PG	TUMLT900/20HG	TUMLT900/20SS	900	2.00	48.13

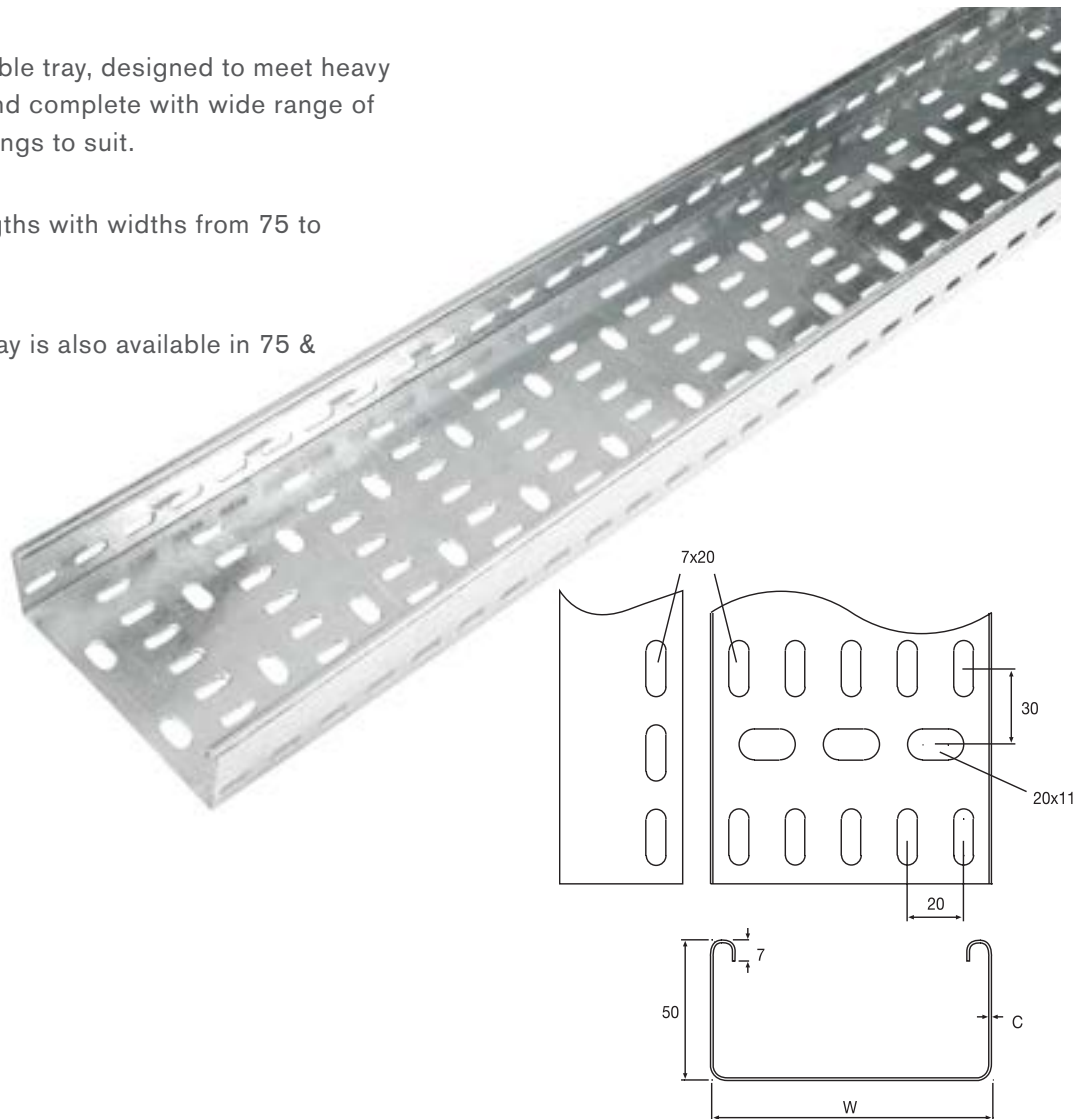
100mm Extra Heavy Duty Tray also available. Contact our team for more information.

Unistrut Heavy Cable Tray

Heavy duty steel cable tray, designed to meet heavy cable load needs and complete with wide range of accessories and fixings to suit.

Available in 3m lengths with widths from 75 to 900mm.

Extra Heavy Duty tray is also available in 75 & 100mm sizes.

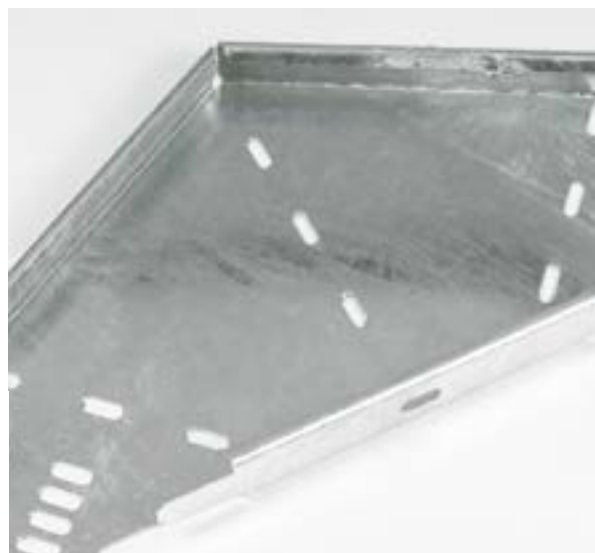
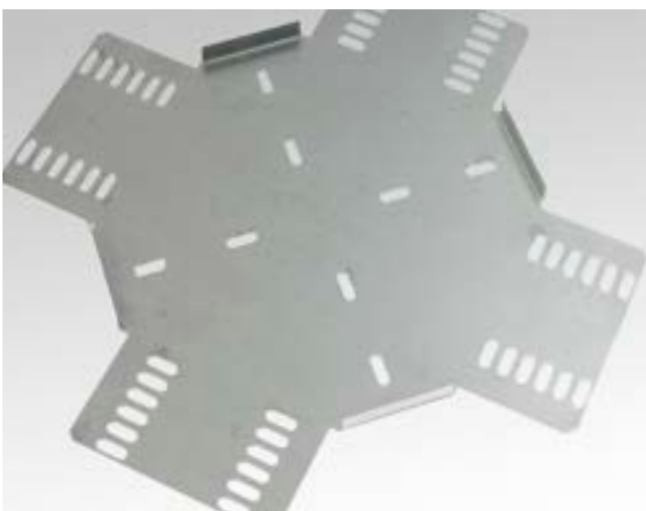


Sold as Individual

Size (W)	Part No.			W	C	Weight
	PG	HG	SS			
50mm x 3m	TUHLT050/10PG	TUHLT050/10HG	TUHLT050/10SS	50	0.80	3.16
75mm x 3m	TUHLT075/10PG	TUHLT075/10HG	TUHLT075/10SS	75	0.80	3.46
100mm x 3m	TUHLT100/10PG	TUHLT100/10HG	TUHLT100/10SS	100	0.80	3.92
150mm x 3m	TUHLT150/10PG	TUHLT150/10HG	TUHLT150/10SS	150	0.80	4.71
225mm x 3m	TUHLT225/15PG	TUHLT225/15HG	TUHLT225/15SS	225	1.20	8.72
300mm x 3m	TUHLT300/15PG	TUHLT300/15HG	TUHLT300/15SS	300	1.20	10.59
450mm x 3m	TUHLT450/20PG	TUHLT450/20HG	TUHLT450/20SS	450	2.00	23.28
600mm x 3m	TUHLT600/20PG	TUHLT600/20HG	TUHLT600/20SS	600	2.00	29.35
750mm x 3m	TUHLT750/20PG	TUHLT750/20HG	TUHLT750/20SS	750	2.00	45.3
900mm x 3m	TUHLT900/20PG	TUHLT900/20HG	TUHLT900/20SS	900	2.00	52.85

100mm Extra Heavy Duty Tray also available. Contact our team for more information.

Fittings - Unistrut Cable Tray



Unistrut Flat Bends

Light Duty Flat Bend - 45 °

Size (W)	Part No.			Weight
	PG	HG	SS	
50mm	TULB050/45PG	TULB050/45HG	TULB050/45SS	0.07
75mm	TULB075/45PG	TULB075/45HG	TULB075/45SS	0.12
100mm	TULB100/45PG	TULB100/45HG	TULB100/45SS	0.19
150mm	TULB150/45PG	TULB150/45HG	TULB150/45SS	0.33
225mm	TULB225/45PG	TULB225/45HG	TULB225/45SS	0.58
300mm	TULB300/45PG	TULB300/45HG	TULB300/45SS	1.34
450mm	TULB450/45PG	TULB450/45HG	TULB450/45SS	3.07
600mm	TULB600/45PG	TULB600/45HG	TULB600/45SS	5.13
750mm	TULB750/45PG	TULB750/45HG	TULB750/45SS	7.7
900mm	TULB900/45PG	TULB900/45HG	TULB900/45SS	10.79



Product image may vary dependant on duty of fitting, finish and size.

Medium Duty Flat Bend - 45 °

Size (W)	Part No.			Weight
	PG	HG	SS	
50mm	TUMB050/45PG	TUMB050/45HG	TUMB050/45SS	0.13
75mm	TUMB075/45PG	TUMB075/45HG	TUMB075/45SS	0.17
100mm	TUMB100/45PG	TUMB100/45HG	TUMB100/45SS	0.22
150mm	TUMB150/45PG	TUMB150/45HG	TUMB150/45SS	0.34
225mm	TUMB225/45PG	TUMB225/45HG	TUMB225/45SS	0.55
300mm	TUMB300/45PG	TUMB300/45HG	TUMB300/45SS	1.16
450mm	TUMB450/45PG	TUMB450/45HG	TUMB450/45SS	2.00
600mm	TUMB600/45PG	TUMB600/45HG	TUMB600/45SS	3.01
750mm	TUMB750/45PG	TUMB750/45HG	TUMB750/45SS	6.60
900mm	TUMB900/45PG	TUMB900/45HG	TUMB900/45SS	8.75



Sold as Individual

Heavy Duty Flat Bend - 45 °

Size (W)	Part No.			Weight
	PG	HG	SS	
75mm	TUHB075/45PG	TUHB075/45HG	TUHB075/45SS	0.24
100mm	TUHB100/45PG	TUHB100/45HG	TUHB100/45SS	0.30
150mm	TUHB150/45PG	TUHB150/45HG	TUHB150/45SS	0.43
225mm	TUHB225/45PG	TUHB225/45HG	TUHB225/45SS	0.64
300mm	TUHB300/45PG	TUHB300/45HG	TUHB300/45SS	1.32
450mm	TUHB450/45PG	TUHB450/45HG	TUHB450/45SS	2.18
600mm	TUHB600/45PG	TUHB600/45HG	TUHB600/45SS	3.22
750mm	TUHB750/45PG	TUHB750/45HG	TUHB750/45SS	7.22
900mm	TUHB900/45PG	TUHB900/45HG	TUHB900/45SS	9.55
900mm	TUMB900/45PG	TUMB900/45HG	TUMB900/45SS	8.75

Flat Bends - 90 °

Unistrut Flat Bends



Product image may vary dependant on duty of fitting, finish and size.



Sold as Individual

Light Duty Flat Bend - 90 °

Size (W)	Part No.			Weight
	PG	HG	SS	
50mm	TULB050/90PG	TULB050/90HG	TULB050/90SS	0.07
75mm	TULB075/90PG	TULB075/90HG	TULB075/90SS	0.12
100mm	TULB100/90PG	TULB100/90HG	TULB100/90SS	0.19
150mm	TULB150/90PG	TULB150/90HG	TULB150/90SS	0.33
225mm	TULB225/90PG	TULB225/90HG	TULB225/90SS	0.58
300mm	TULB300/90PG	TULB300/90HG	TULB300/90SS	1.34
450mm	TULB450/90PG	TULB450/90HG	TULB450/90SS	3.07
600mm	TULB600/90PG	TULB600/90HG	TULB600/90SS	5.13
750mm	TULB750/90PG	TULB750/90HG	TULB750/90SS	7.7
900mm	TULB900/90PG	TULB900/90HG	TULB900/90SS	10.79

Medium Duty Flat Bend - 90 °

Size (W)	Part No.			Weight
	PG	HG	SS	
50mm	TUMB050/90PG	TUMB050/90HG	TUMB050/90SS	0.41
75mm	TUMB075/90PG	TUMB075/90HG	TUMB075/90SS	0.51
100mm	TUMB100/90PG	TUMB100/90HG	TUMB100/90SS	0.63
150mm	TUMB150/90PG	TUMB150/90HG	TUMB150/90SS	0.92
225mm	TUMB225/90PG	TUMB225/90HG	TUMB225/90SS	1.38
300mm	TUMB300/90PG	TUMB300/90HG	TUMB300/90SS	2.02
450mm	TUMB450/90PG	TUMB450/90HG	TUMB450/90SS	3.35
600mm	TUMB600/90PG	TUMB600/90HG	TUMB600/90SS	4.93
750mm	TUMB750/90PG	TUMB750/90HG	TUMB750/90SS	12.20
900mm	TUMB900/90PG	TUMB900/90HG	TUMB900/90SS	18.65

Heavy Duty Flat Bend - 90 °

Size (W)	Part No.			Weight
	PG	HG	SS	
75mm	TUHB075/90PG	TUHB075/90HG	TUHB075/90SS	0.39
100mm	TUHB100/90PG	TUHB100/90HG	TUHB100/90SS	0.48
150mm	TUHB150/90PG	TUHB150/90HG	TUHB150/90SS	0.68
225mm	TUHB225/90PG	TUHB225/90HG	TUHB225/90SS	1.5
300mm	TUHB300/90PG	TUHB300/90HG	TUHB300/90SS	2.09
450mm	TUHB450/90PG	TUHB450/90HG	TUHB450/90SS	3.53
600mm	TUHB600/90PG	TUHB600/90HG	TUHB600/90SS	5.31
750mm	TUHB750/90PG	TUHB750/90HG	TUHB750/90SS	11.1
900mm	TUHB900/90PG	TUHB900/90HG	TUHB900/90SS	14.69
900mm	TUMB900/45PG	TUMB900/45HG	TUMB900/45SS	8.75

Unistrut Equal Crosses



Sold as Individual



Unequal Crosses are available upon request

Product image may vary dependant on duty of fitting, finish and size.

Light Duty Equal Cross

Size (W)	Part No.			Weight kg
	PG	HG	SS	
50mm	TULX050PG	TULX050HG	TULX050SS	0.17
75mm	TULX075PG	TULX075HG	TULX075SS	0.26
100mm	TULX100PG	TULX100HG	TULX100SS	0.36
150mm	TULX150PG	TULX150HG	TULX150SS	0.62
225mm	TULX225PG	TULX225HG	TULX225SS	1.05
300mm	TULX300PG	TULX300HG	TULX300SS	2.23
450mm	TULX450PG	TULX450HG	TULX450SS	4.16
600mm	TULX600PG	TULX600HG	TULX600SS	6.75
750mm	TULX750PG	TULX750HG	TULX750SS	9.95
900mm	TULX900PG	TULX900HG	TULX900SS	13.77

Medium Duty Equal Cross

Size (W)	Part No.			Weight kg
	PG	HG	SS	
50mm	TUMX050PG	TUMX050HG	TUMX050SS	0.64
75mm	TUMX075PG	TUMX075HG	TUMX075SS	0.68
100mm	TUMX100PG	TUMX100HG	TUMX100SS	0.81
150mm	TUMX150PG	TUMX150HG	TUMX150SS	1.15
225mm	TUMX225PG	TUMX225HG	TUMX225SS	1.70
300mm	TUMX300PG	TUMX300HG	TUMX300SS	3.28
450mm	TUMX450PG	TUMX450HG	TUMX450SS	5.47
600mm	TUMX600PG	TUMX600HG	TUMX600SS	8.14
750mm	TUMX750PG	TUMX750HG	TUMX750SS	13.38
900mm	TUMX900PG	TUMX900HG	TUMX900SS	17.45

Heavy Duty Equal Cross

Size (W)	Part No.			Weight kg
	PG	HG	SS	
75mm	TUHX075PG	TUHX075HG	TUHX075SS	0.83
100mm	TUHX100PG	TUHX100HG	TUHX100SS	0.96
150mm	TUHX150PG	TUHX150HG	TUHX150SS	1.30
225mm	TUHX225PG	TUHX225HG	TUHX225SS	2.01
300mm	TUHX300PG	TUHX300HG	TUHX300SS	3.45
450mm	TUHX450PG	TUHX450HG	TUHX450SS	5.64
600mm	TUHX600PG	TUHX600HG	TUHX600SS	8.31
750mm	TUHX750PG	TUHX750HG	TUHX750SS	13.65
900mm	TUHX900PG	TUHX900HG	TUHX900SS	17.64

Equal Tee

Unistrut Equal Tees



Sold as Individual

Unequal Tee's are available upon request.

Product image may vary dependant on duty of fitting, finish and size.

Light Duty Equal Tee

Size (W)	Part No.			Weight kg
	PG	HG	SS	
50mm	TULT050PG	TULT050HG	TULT050SS	0.12
75mm	TULT075PG	TULT075HG	TULT075SS	0.2
100mm	TULT100PG	TULT100HG	TULT100SS	0.29
150mm	TULT150PG	TULT150HG	TULT150SS	0.49
225mm	TULT225PG	TULT225HG	TULT225SS	0.87
300mm	TULT300PG	TULT300HG	TULT300SS	1.94
450mm	TULT450PG	TULT450HG	TULT450SS	3.91
600mm	TULT600PG	TULT600HG	TULT600SS	6.42
750mm	TULT750PG	TULT750HG	TULT750SS	9.56
900mm	TULT900PG	TULT900HG	TULT900SS	13.31

Medium Duty Equal Tee

Size (W)	Part No.			Weight kg
	PG	HG	SS	
50mm	TUMT050PG	TUMT050HG	TUMT050SS	0.41
75mm	TUMT075PG	TUMT075HG	TUMT075SS	0.51
100mm	TUMT100PG	TUMT100HG	TUMT100SS	0.63
150mm	TUMT150PG	TUMT150HG	TUMT150SS	0.92
225mm	TUMT225PG	TUMT225HG	TUMT225SS	1.38
300mm	TUMT300PG	TUMT300HG	TUMT300SS	2.02
450mm	TUMT450PG	TUMT450HG	TUMT450SS	3.35
600mm	TUMT600PG	TUMT600HG	TUMT600SS	4.93
750mm	TUMT750PG	TUMT750HG	TUMT750SS	12.20
900mm	TUMT900PG	TUMT900HG	TUMT900SS	18.65

Heavy Duty Equal Tee

Size (W)	Part No.			Weight kg
	PG	HG	SS	
75mm	TUHT075PG	TUHT075HG	TUHT075SS	0.83
100mm	TUHT100PG	TUHT100HG	TUHT100SS	0.96
150mm	TUHT150PG	TUHT150HG	TUHT150SS	1.30
225mm	TUHT225PG	TUHT225HG	TUHT225SS	2.01
300mm	TUHT300PG	TUHT300HG	TUHT300SS	3.45
450mm	TUHT450PG	TUHT450HG	TUHT450SS	5.64
600mm	TUHT600PG	TUHT600HG	TUHT600SS	8.31
750mm	TUHT750PG	TUHT750HG	TUHT750SS	13.65
900mm	TUHT900PG	TUHT900HG	TUHT900SS	17.64

Unistrut Risers



Sold as Individual



Product image may vary dependant on duty of fitting, finish and size.

Adjustable Risers (Light & Medium)

Size (W)	Part No.			Weight kg
	PG	HG	SS	
50mm	TUMAR050PG	TUMAR050HG	TUMAR050SS	0.18
75mm	TUMAR075PG	TUMAR075HG	TUMAR075SS	0.24
100mm	TUMAR100PG	TUMAR100HG	TUMAR100SS	0.31
150mm	TUMAR150PG	TUMAR150HG	TUMAR150SS	0.43
225mm	TUMAR225PG	TUMAR225HG	TUMAR225SS	0.63
300mm	TUMAR300PG	TUMAR300HG	TUMAR300SS	0.81
450mm	TUMAR450PG	TUMAR450HG	TUMAR450SS	1.20
600mm	TUMAR600PG	TUMAR600HG	TUMAR600SS	2.47
750mm	TUMAR750PG	TUMAR750HG	TUMAR750SS	3.19
900mm	TUMAR900PG	TUMAR900HG	TUMAR900SS	4.01

Compatible with both Light and Medium cable trays

Adjustable Risers (Heavy)

Size (W)	Part No.			Weight kg
	PG	HG	SS	
75mm	TUHAR075PG	TUHAR075HG	TUHAR075SS	0.34
100mm	TUHAR100PG	TUHAR100HG	TUHAR100SS	0.40
150mm	TUHAR150PG	TUHAR150HG	TUHAR150SS	0.53
225mm	TUHAR225PG	TUHAR225HG	TUHAR225SS	0.72
300mm	TUHAR300PG	TUHAR300HG	TUHAR300SS	0.90
450mm	TUHAR450PG	TUHAR450HG	TUHAR450SS	1.29
600mm	TUHAR600PG	TUHAR600HG	TUHAR600SS	1.68
750mm	TUHAR750PG	TUHAR750HG	TUHAR750SS	3.34
900mm	TUHAR900PG	TUHAR900HG	TUHAR900SS	4.16

Reducers

Unistrut Reducers



Sold as Individual

Product image may vary dependant on duty of fitting, finish and size.

Light Cable Tray Reducer

Width	50mm	75mm	100mm	150mm	225mm	300mm	450mm	600mm	750mm	900mm
50mm		TULSR075/050	TULSR150/050	TULSR150/050						
75mm	TULSR075/050		TULSR100/075	TULSR150/075	TULSR225/075					
100mm	TULSR100/050	TULSR100/075		TULSR150/100	TULSR225/100	TULSR300/100	TULSR450/100			
150mm	TULSR150/050	TULSR150/075	TULSR150/100		TULSR225/150	TULSR300/150	TULSR450/150	TULSR600/150		
225mm		TULSR225/075	TULSR225/100	TULSR225/150		TULSR300/225	TULSR450/225	TULSR600/225	TULSR750/225	
300mm			TULSR300/100	TULSR300/150	TULSR300/225		TULSR450/300	TULSR600/300	TULSR750/300	TULSR900/300
450mm			TULSR450/100	TULSR450/150	TULSR450/225	TULSR450/300		TULSR600/450	TULSR750/450	TULSR900/450
600mm				TULSR600/150	TULSR600/225	TULSR600/300	TULSR600/450		TULSR750/600	TULSR900/600
750mm					TULSR750/225	TULSR750/300	TULSR750/450	TULSR750/600		TULSR900/750
900mm						TULSR900/300	TULSR900/450	TULSR900/600	TULSR900/750	

Medium Cable Tray Reducer

Width	50mm	75mm	100mm	150mm	225mm	300mm	450mm	600mm	750mm	900mm
50mm		TUMSR075/050	TUMSR150/050	TUMSR150/050						
75mm	TUMSR075/050		TUMSR100/075	TUMSR150/075	TUMSR225/075					
100mm	TUMSR100/050	TUMSR100/075		TUMSR150/100	TUMSR225/100	TUMSR300/100	TUMSR450/100			
150mm	TUMSR150/050	TUMSR150/075	TUMSR150/100		TUMSR225/150	TUMSR300/150	TUMSR450/150	TUMSR600/150		
225mm		TUMSR225/075	TUMSR225/100	TUMSR225/150		TUMSR300/225	TUMSR450/225	TUMSR600/225	TUMSR750/225	
300mm			TUMSR300/100	TUMSR300/150	TUMSR300/225		TUMSR450/300	TUMSR600/300	TUMSR750/300	TUMSR900/300
450mm			TUMSR450/100	TUMSR450/150	TUMSR450/225	TUMSR450/300		TUMSR600/450	TUMSR750/450	TUMSR900/450
600mm				TUMSR600/150	TUMSR600/225	TUMSR600/300	TUMSR600/450		TUMSR750/600	TUMSR900/600
750mm					TUMSR750/225	TUMSR750/300	TUMSR750/450	TUMSR750/600		TUMSR900/750
900mm						TUMSR900/300	TUMSR900/450	TUMSR900/600	TUMSR900/750	

Heavy Cable Tray Reducer

Width	50mm	75mm	100mm	150mm	225mm	300mm	450mm	600mm	750mm	900mm
50mm		TUHSR075/050	TUHSR150/050	TUHSR150/050						
75mm	TUHSR075/050		TUHSR100/075	TUHSR150/075	TUHSR225/075					
100mm	TUHSR100/050	TUHSR100/075		TUHSR150/100	TUHSR225/100	TUHSR300/100	TUHSR450/100			
150mm	TUHSR150/050	TUHSR150/075	TUHSR150/100		TUHSR225/150	TUHSR300/150	TUHSR450/150	TUHSR600/150		
225mm		TUHSR225/075	TUHSR225/100	TUHSR225/150		TUHSR300/225	TUHSR450/225	TUHSR600/225	TUHSR750/225	
300mm			TUHSR300/100	TUHSR300/150	TUHSR300/225		TUHSR450/300	TUHSR600/300	TUHSR750/300	TUHSR900/300
450mm			TUHSR450/100	TUHSR450/150	TUHSR450/225	TUHSR450/300		TUHSR600/450	TUHSR750/450	TUHSR900/450
600mm				TUHSR600/150	TUHSR600/225	TUHSR600/300	TUHSR600/450		TUHSR750/600	TUHSR900/600
750mm					TUHSR750/225	TUHSR750/300	TUHSR750/450	TUHSR750/600		TUHSR900/750
900mm						TUHSR900/300	TUHSR900/450	TUHSR900/600	TUHSR900/750	

Cable Tray Accessories

The complete range of cable tray from Unistrut

UNISTRUT®



Couplers & Splices

Fish Plate (Light Duty)



Sold as Individual

Size (W)	Part No.		
	PG	HG	SS
mm			
45	TULFP050PG	TULFP050HG	TULFP050SS
70	TULFP075PG	TULFP075HG	TULFP075SS
100	TULFP100PG	TULFP100HG	TULFP100SS
150	TULFP150PG	TULFP150HG	TULFP150SS
225	TULFP225PG	TULFP225HG	TULFP225SS
300	TULFP300PG	TULFP300HG	TULFP300SS
450	TULFP450PG	TULFP450HG	TULFP450SS
600	TULFP600PG	TULFP600HG	TULFP600SS
750	TULFP750PG	TULFP750HG	TULFP750SS
900	TULFP900PG	TULFP900HG	TULFP900SS

Straight Splice (Medium or Heavy Duty Cable Tray)

Wrap Over Splice (Medium or Heavy Duty Cable Tray)



Sold as Pair

Type	Finish		
	PG	HG	SS
Medium	TUM/SCPG	TUM/SCHG	TUMSC/SS
Heavy	TUH/SCPG	TUH/SCHG	TUHSC/SS



Sold as Pair

Type	Finish		
	PG	HG	SS
Medium	TUM/WCPG	TUM/WCHG	TUM/WCSS
Heavy	TUH/WCPG	TUH/WCHG	TUH/WCSS

Unistrut Tray Straight Covers

Size (W)			Length
	HG	SS	
mm			
50	TUCHLT50/10HG	TUCHLT50/10SS	3m
75	TUCHLT75/10HG	TUCHLT75/10SS	3m
100	TUCHLT100/10HG	TUCHLT100/10SS	3m
150	TUCHLT150/10HG	TUCHLT150/10SS	3m
225	TUCHLT225/10HG	TUCHLT225/10SS	3m
300	TUCHLT300/10HG	TUCHLT300/10SS	3m
450	TUCHLT450/10HG	TUCHLT450/10SS	1.5m
600	TUCHLT600/10HG	TUCHLT600/10SS	1.5m
750	TUCHLT750/10HG	TUCHLT750/10SS	1.5m
900	TUCHLT900/10HG	TUCHLT900/10SS	1.5m



Sold as Individual

A cover for every fitting

We have custom fit covers for our entire range of lengths and fittings and can provide custom sizes if required for unique jobs. These are available upon demand - please contact our sales department for further information.

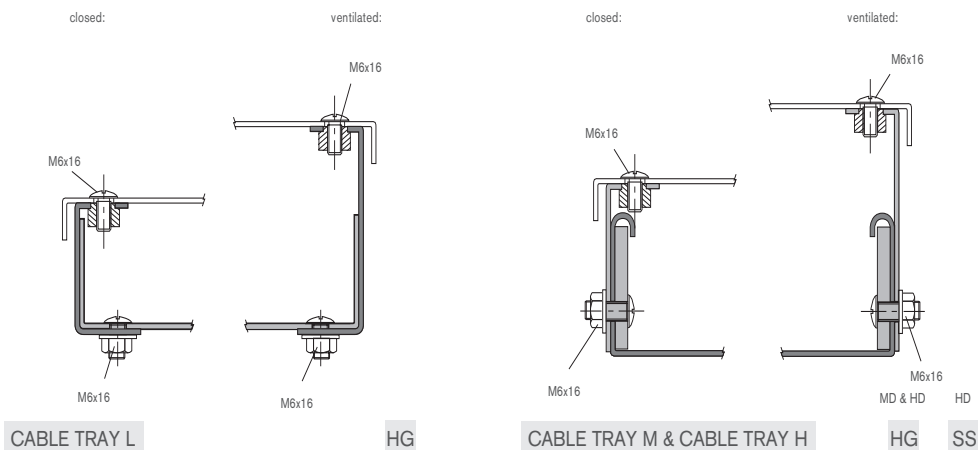
Ventilated Cover Clips

In addition to covers we also supply separately, the ventilated fitting equipment as detailed :

1.5m cover requires 4 cover clips

3m cover requires 6 cover clips

Part No.	Type	Duty	Finish
			Stainless Steel or Hot Galvanised
TUCM/VC	Ventilated	Medium	SS or HG
TUCM/CC	Closed	Medium	SS or HG
TUCH/VC	Ventilated	Heavy	SS or HG
TUCH/CC	Closed	Heavy	SS or HG



Sold as Individual

Other Accessories

Dividers



Sold as Individual

Duty	Finish		
	HG	SS	PG
Medium	TUMSD/HG	TUMSD/SS	TUM/SDPG
Heavy	TUHSD/HG	TUHSD/SS	TUH/SDPG

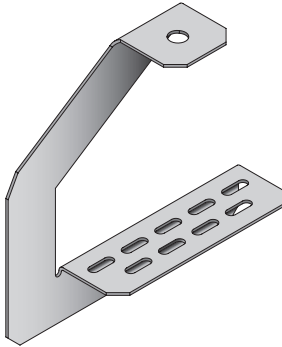
Earth Continuity Connector



Sold as Individual

Size (L)	Part No.	Weight
100mm	EB100	0.87

Overhead Cantilever Bracket



Sold as Individual

Part no.	Qty	Finish
OCBL050	1	PG
OCBL75	1	PG
OCBL100	1	PG
OCBL150	1	PG
OCBL225	1	PG
OCBL300	1	PG

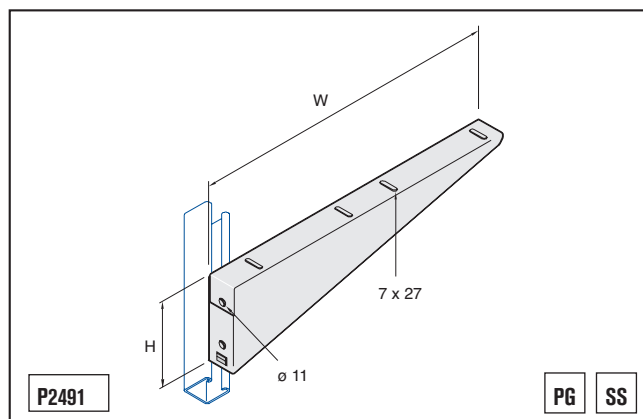
Stand off Brackets



Sold as Individual

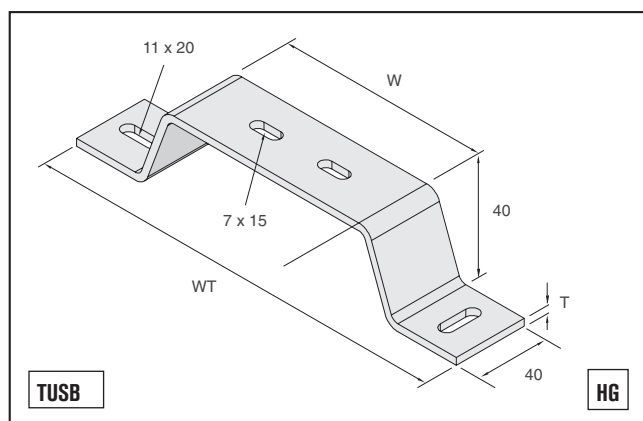
Part no.	Qty	Finish
TUTSB050PG	1	PG
TUTSB075PG	1	PG
TUTSB100PG	1	PG
TUTSB150PG	1	PG
TUTSB225PG	1	PG
TUTSB300PG	1	PG

Traying Arms



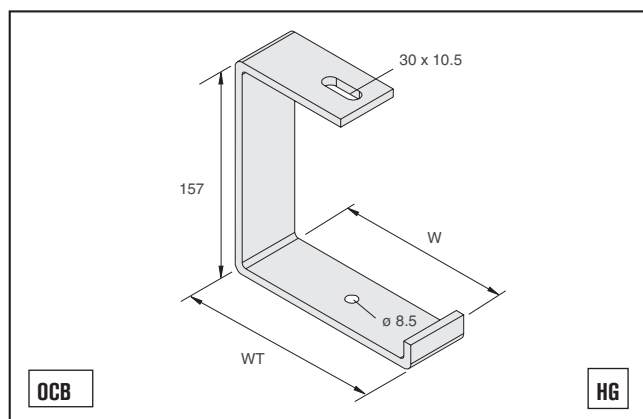
Part No.	Finishes		W mm	H mm	Fmax Kn	📦	📦
	PG	SS					
P2491/100	•	•	105	63	1.6	0.20	1
P2491/150	•	•	155	63	1.6	0.28	1
P2491/225	•	•	230	75	1.5	0.42	1
P2491/300	•	•	305	87	1.4	0.60	1
P2491/450	•	•	455	125	1.1	1.07	1
P2491/600	•	•	605	164	1.0	1.63	1

Tray Stand Off Bracket



Part No.	Finishes		W mm	WT mm	T mm	📦	📦
	HG						
TUSB050	•		50	154	3	0.18	1
TUSB075	•		75	179	3	0.20	1
TUSB100	•		100	204	3	0.23	1
TUSB150	•		150	254	3	0.28	1
TUSB225	•		225	329	5	0.56	1
TUSB300	•		300	404	5	0.68	1
TUSB450	•		450	554	5	0.91	1
TUSB600	•		600	704	5	1.15	1

G-Type Hanging Bracket



Part No.	Finishes		W mm	WT mm	📦	📦
	HG					
OCB75	•		80	92	0.68	1
OCB100	•		105	117	0.73	1
OCB150	•		155	167	0.89	1
OCB225	•		230	242	1.14	1
OCB300	•		305	317	1.38	1

Stated loadings apply to mild steel products only.

Cable Trays - Unistrut

Materials and Finish

Pre-Galvanized [PG]

Cable trays, brackets and fittings can be Pre-Galvanized.
Pre-Galvanizing is to BS EN 10346 2009 (Coating Z275)

Hot-Dip Galvanized [HDG]

Cable trays, brackets, cantilever arms and fittings can be hot-dip galvanized in accordance with BS EN ISO1461:2009 and chromate passivated.

The minimum average Zinc Coating is as follows:

Cold Rolled From 1.5mm Steel – 55 microns

Fittings spun galvanized – 45 microns

Stainless Steel [SS]

- Stainless Steel 1.4301 (304)
- Stainless Steel 1.4404 (316L)
- Cleaned (Pickled & Passivated) Applying a pickling process to stainless steel results in a clean product and it also removes any heat discoloration that has occurred in the welding process.

SPECIAL COATINGS AND MATERIAL GRADES ARE AVAILABLE ON REQUEST

Certification and Quality Standards

ISO 9001 - Quality system certification

ISO 14001 - Environment certification

OHSAS 18001 - Health and safety certification

Useful Cross Section - Unistrut Tray

Light Duty (L)

Width	Useful cross section
mm	(cm ²)
50	5.4
75	8.1
100	10.9
150	16.6
225	24.9
300	49.9
450	75.1
600	95.3
750	119.3
900	143.3

Medium Duty (M-25)

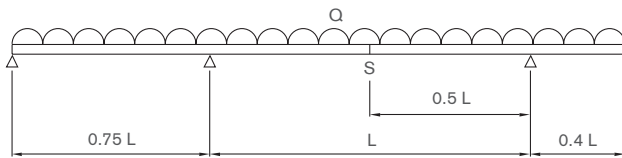
Width	Useful cross section
mm	(cm ²)
50	11.4
75	17.4
100	23.5
150	35.6
225	53.7
300	70.4
450	106.1
600	141.8
750	171.1
900	205.6

Heavy Duty (H-50)

Width	Useful cross section
mm	(cm ²)
75	35.8
100	48.1
150	72.7
225	108.2
300	144.8
450	213.6
600	285.6
750	357.6
900	429.6

Stated loadings apply to mild steel products only.

Loading Data



Load test according to CEI/IEC 61537:2001

Q = UDL (uniformly distributed load)

Safety Factor = 1.7

L = intermediate span

F = deflection = 1/100 of the intermediate span (max.)

S = splice location

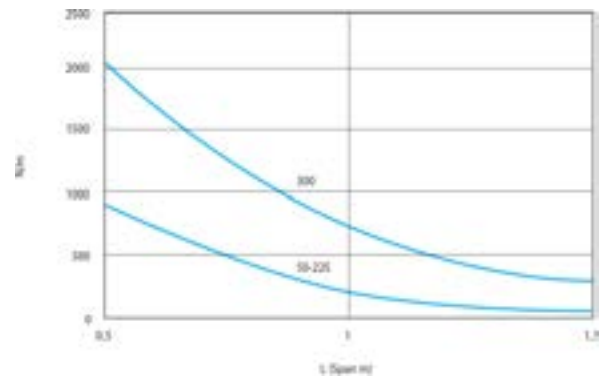
Unistrut's load testing is in accordance with CEI/IEC 61537:2001. In practical terms this covers continuous/multi span installations, evenly loaded along the length of, and across the full width of the tray. The end spans in these installations should be reduced to 0.75 of the intermediate spans.

Deflection: Unistrut's load and deflection figures are in accordance with CEI/IEC 61537:2001, with the characteristic deflection of Unistrut Cable Tray limited to span/100, and load figures inclusive of a safety factor of 1.7.

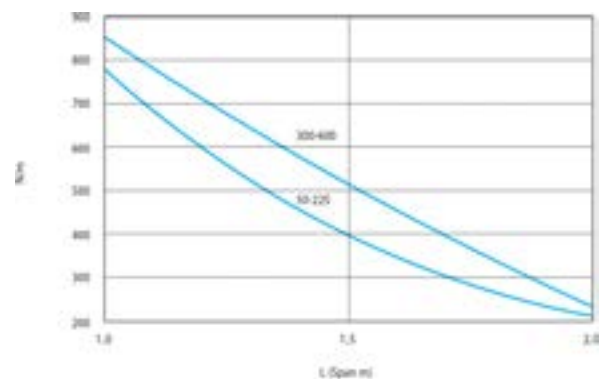
Accessories: To ensure adequate support, accessories should be supported locally.

Couplers: The loading and deflection tables for Unistrut Cable Tray assume that the couplers are located at the most onerous position within the span (i.e. mid span). To maintain the load/deflection figures stated in the tables, the couplers should not be located in end spans or over support locations. Straight couplers were utilized for the testing of the medium and heavy duty cable trays. Only one pair of couplers should be installed per span.

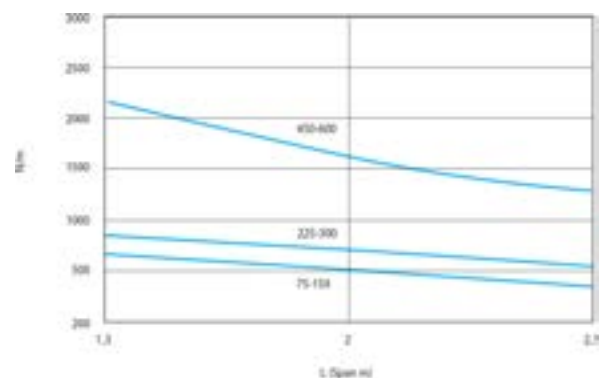
Light Duty Cable Tray



Medium Duty Cable Tray



Heavy Duty Cable Tray

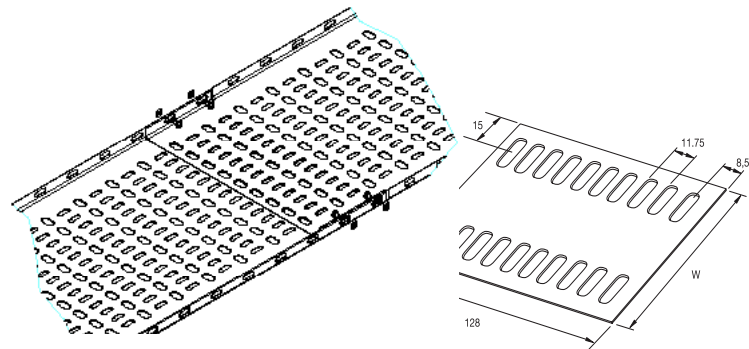


Unistrut Couplers

Fish Plate - For Light Duty Cable Tray (Cut Ends)

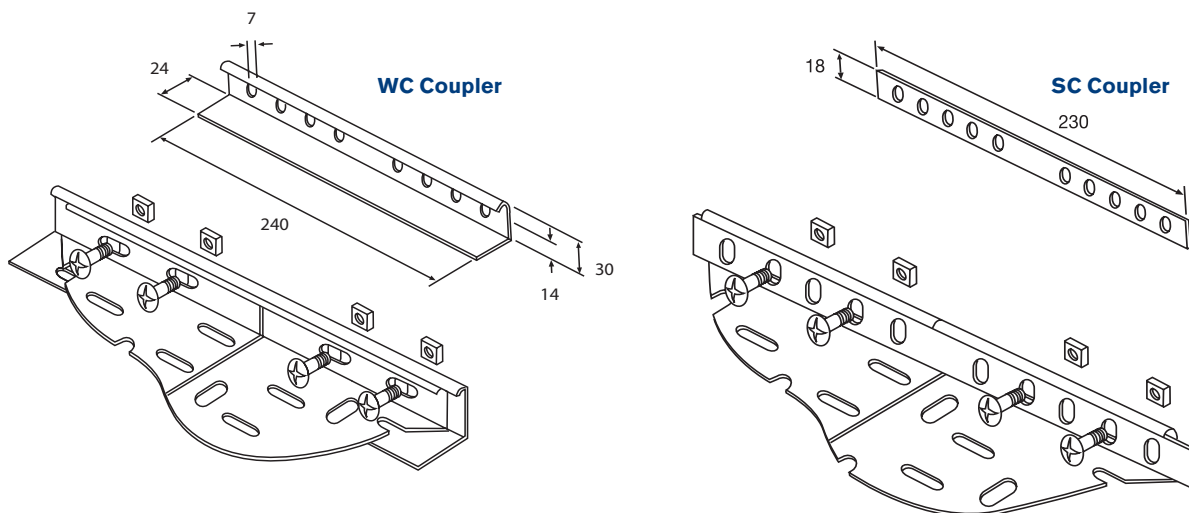
Straight lengths of Light duty cable tray come with a self splicing mechanism built in.

However for when you need to cut your tray (and thus remove the self splicing element) or if you are attaching one of our light tray fittings, we provide this easy to install fish plate for coupling.



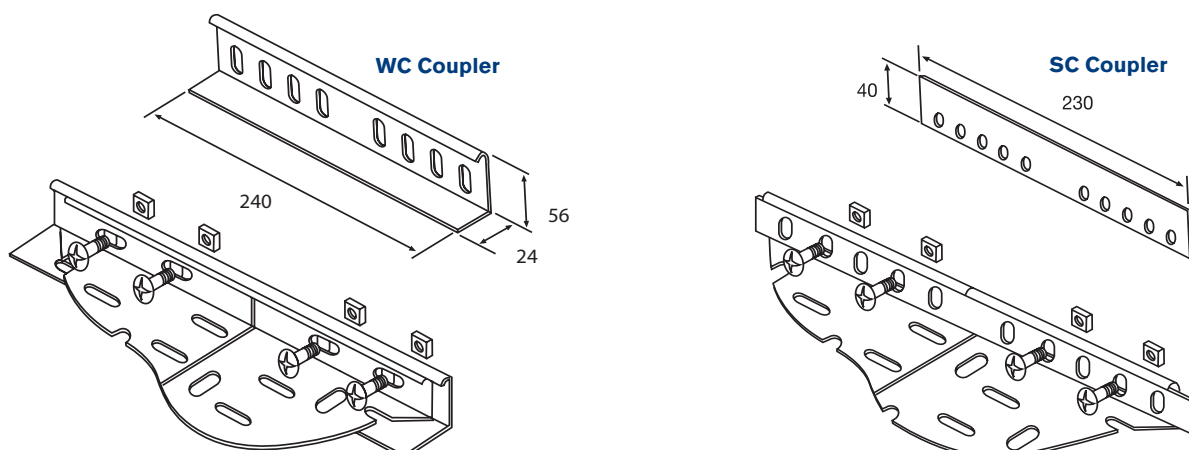
TUM /WC Coupler & TUM /SC Straight Coupler

For medium tray we recommend either the TUM/WC wrap coupler or TUM/SC straight coupler.



TUH/WC Coupler & TUH/SC Coupler

For heavy tray we recommend either the TUH/WC wrap coupler or TUH/SC straight coupler.

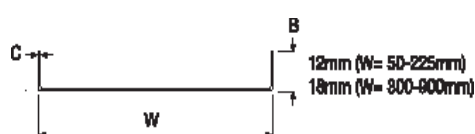


Size and Angle Codes

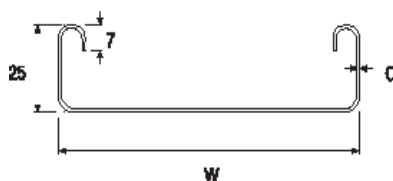
Our fittings come in a wide variety of widths, radii and angles (where appropriate). Many of these are standard factory items and the rest are available upon request.

Unless specified, figures are in millimetres (mm)

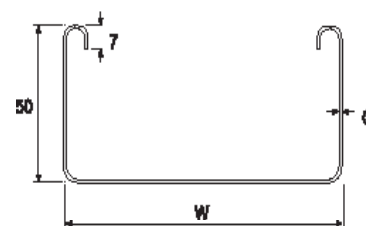
Light Duty



Medium Duty



Heavy Duty



Width and Angle Codes

Widths (W)

Code	Width
050	50mm
075	75mm
100	100mm
150	150mm
225	225mm
300	300mm
450	450mm
600	600mm
750	750mm
900	900mm

Angles (D) - Fittings Only

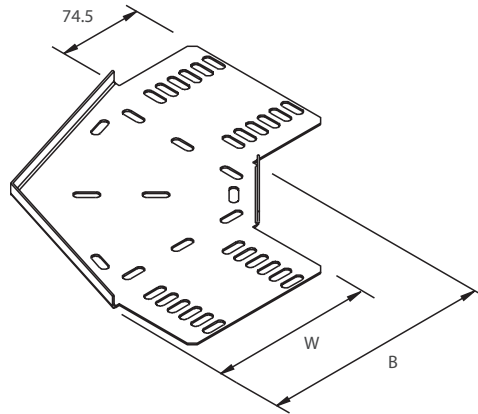
Code	Angle
30	30
45	45
60	60
90	90

Thickness (C) - Fittings Only

Code	Thickness
0.80	0.80mm
1.20	1.20mm
2.00	2.00mm

Unistrut Fittings (Light)

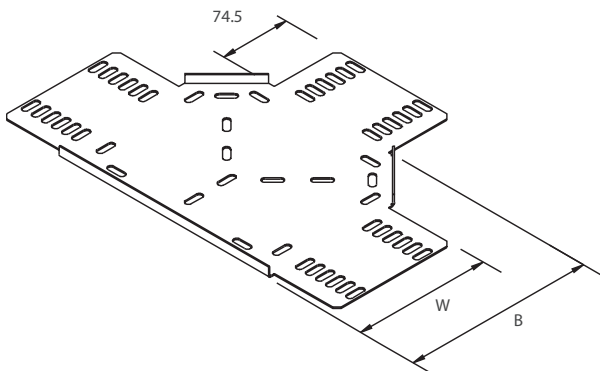
Light Duty - 45 ° and 90 ° Flat Bend



	W	B	-> <-	Weight
	mm	mm	C	
45 °	50	66	0.80	0.07
45 °	75	91	0.80	0.12
45 °	100	116	0.80	0.19
45 °	150	166	0.80	0.33
45 °	225	238	0.80	0.58
45 °	300	315	1.20	1.34
45 °	450	464	1.20	3.07
45 °	600	615	1.20	5.13
45 °	750	765	2.00	7.7
45 °	900	915	2.00	10.79

	W	B	-> <-	Weight
	mm	mm	C	
90 °	50	100	0.80	0.07
90 °	75	125	0.80	0.12
90 °	100	150	0.80	0.19
90 °	150	200	0.80	0.33
90 °	225	275	0.80	0.58
90 °	300	350	1.20	1.34
90 °	450	500	1.20	3.07
90 °	600	650	1.20	5.13
90 °	750	800	2.00	7.7
90 °	900	950	2.00	10.79

Light Duty - Equal Tee

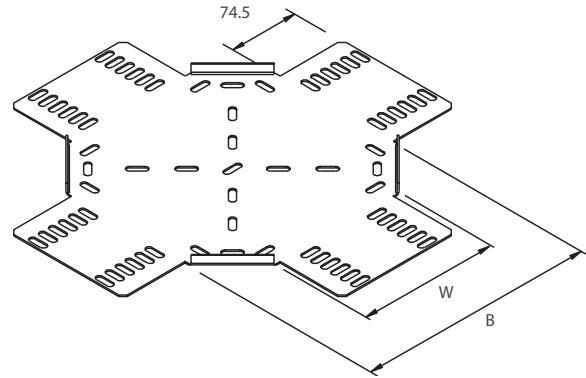


W	B	C	-> <-	Weight
mm	mm	mm		
50	100	74.5	0.80	0.12
75	125	74.5	0.80	0.2
100	150	74.5	0.80	0.29
150	200	74.5	0.80	0.49
225	275	74.5	0.80	0.87
300	350	74.5	1.20	1.94
450	500	74.5	1.20	3.91
600	650	74.5	1.20	6.42
750	800	74.5	2.00	9.56
900	950	74.5	2.00	13.31

Unistrut Fittings (Light)

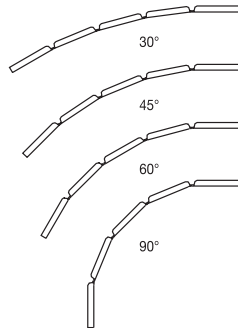
Light Duty - Equal Cross

W	B	C	-> <-	Weight
mm	mm	mm	C	
50	100	74.5	0.80	0.17
75	125	74.5	0.80	0.26
100	150	74.5	0.80	0.36
150	200	74.5	0.80	0.62
225	275	74.5	0.80	1.05
300	350	74.5	1.20	2.23
450	500	74.5	1.20	4.16
600	650	74.5	1.20	6.75
750	800	74.5	2.00	9.95
900	950	74.5	2.00	13.77

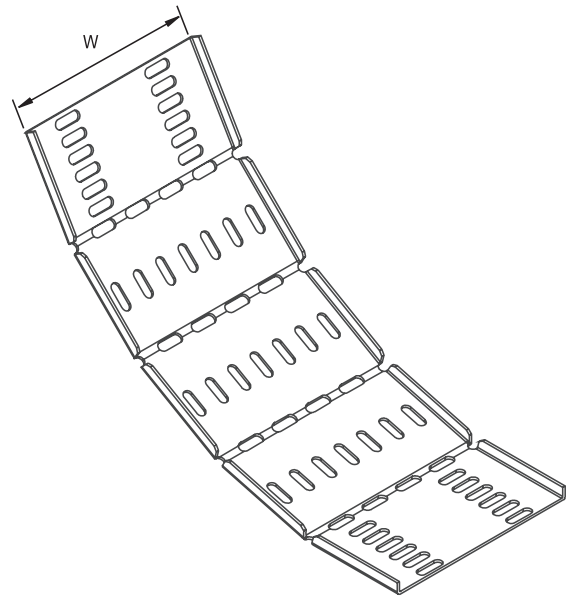
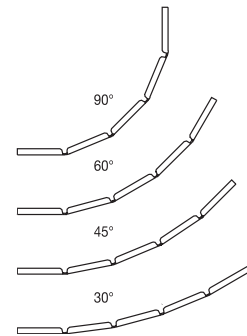


Adjustable Riser

Used as outside riser:



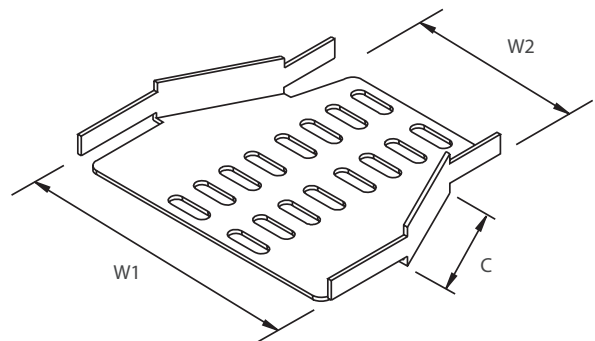
Used as inside riser:



Light Duty - Cable Tray Reducer

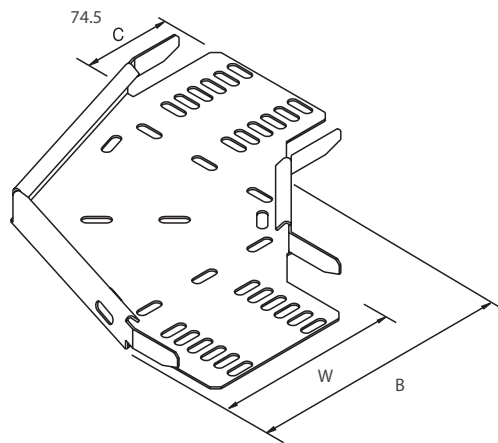
Part No	Finish
	Stainless Steel, Hot Galv or Pre Galv
TULSR W1 / W2	SS, HG or PG

e.g. i.e a 600mm Wide to 300mm Wide Cable Tray Reducer in Hot Galvanised Finish would be TULSR600/300HG



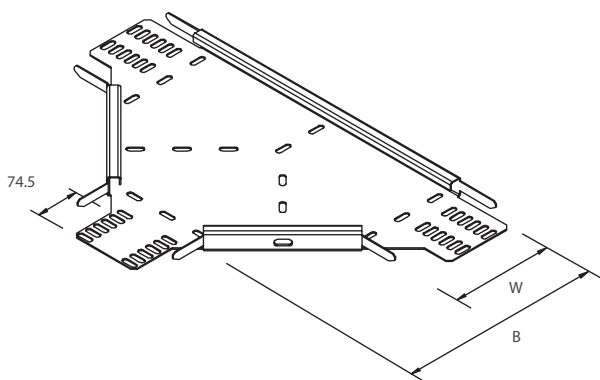
Unistrut Fittings (Medium)

Medium Duty - 45 ° and 90 ° Flat Bend



	W	B	-> <-	Weight		W	B	-> <-	Weight
	mm	mm				mm	mm	C	
45 °	50	87	0.80	0.13	90 °	50	172	0.80	0.41
45 °	75	107	0.80	0.17	90 °	75	197	0.80	0.51
45 °	100	132	0.80	0.22	90 °	100	222	0.80	0.63
45 °	150	182	0.80	0.34	90 °	150	272	0.80	0.92
45 °	225	257	0.80	0.55	90 °	225	347	0.80	1.38
45 °	300	332	1.20	1.16	90 °	300	422	1.20	2.02
45 °	450	482	1.20	2.00	90 °	450	572	1.20	3.35
45 °	600	632	1.20	3.01	90 °	600	722	1.20	4.93
45 °	750	812	2.00	6.60	90 °	750	872	2.00	12.20
45 °	900	962	2.00	8.75	90 °	900	1022	2.00	18.65

Medium Duty - Equal Tee

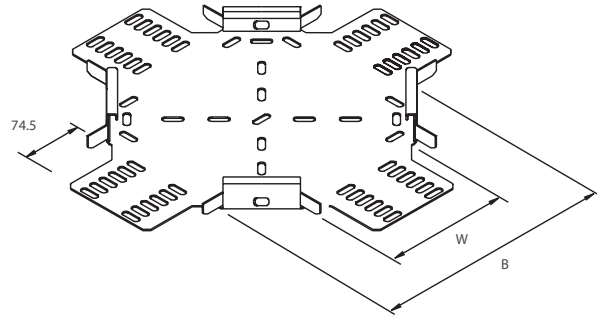


W	B	-> <-	Weight
mm	mm	C	
50	172	0.80	0.41
75	197	0.80	0.51
100	222	0.80	0.63
150	272	0.80	0.92
225	347	0.80	1.38
300	422	1.20	2.02
450	572	1.20	3.35
600	722	1.20	4.93
750	872	2.00	12.20
900	1022	2.00	18.65

Unistrut Fittings (Medium)

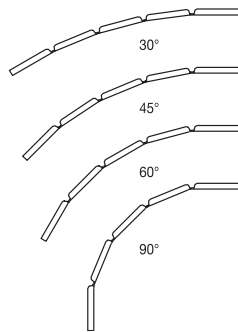
Medium Duty - Equal Cross

W	B	-> <-	Weight
mm	mm	C	
50	300	0.80	0.64
75	325	0.80	0.68
100	350	0.80	0.81
150	400	0.80	1.15
225	475	0.80	1.70
300	550	1.20	3.28
450	700	1.20	5.47
600	850	1.20	8.14
750	872	2.00	13.38
900	1022	2.00	17.45

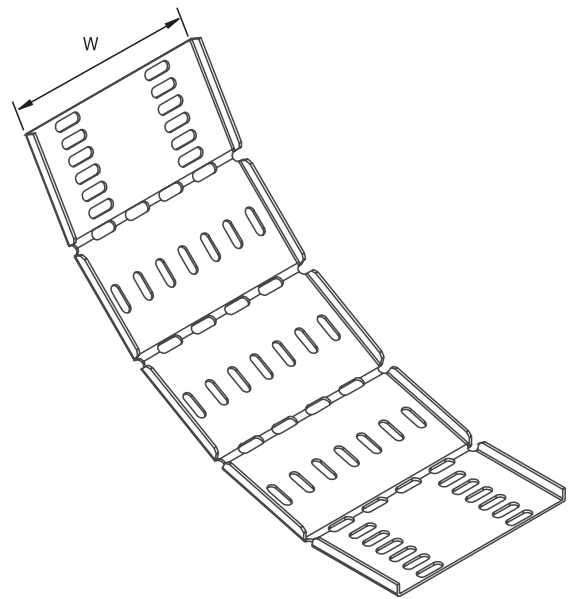
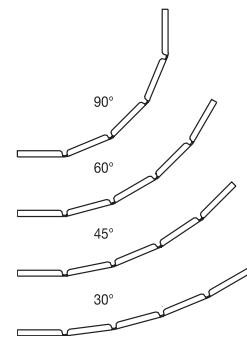


Adjustable Riser

Used as outside riser:



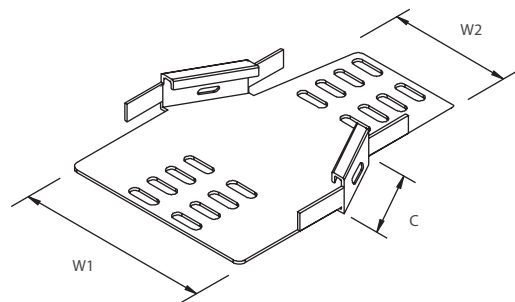
Used as inside riser:



Medium Duty - Cable Tray Reducer

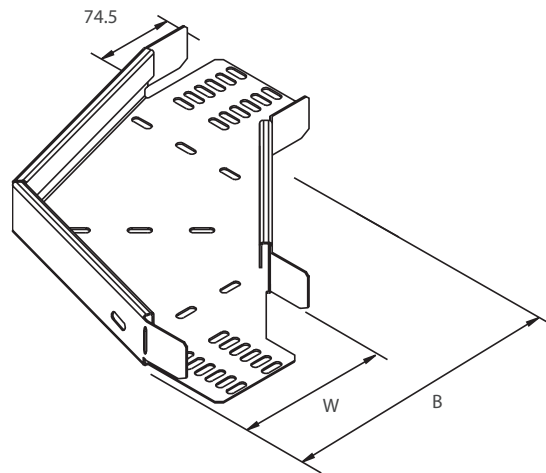
Part No	Finish
	Stainless Steel, Hot Galv or Pre Galv
TUMSR S / S	SS, HG or PG

e.g. i.e a 150mm Wide Medium Duty cable tray in Stainless Steel Finish would be TUMSR150/10SS



Unistrut Fittings (Heavy)

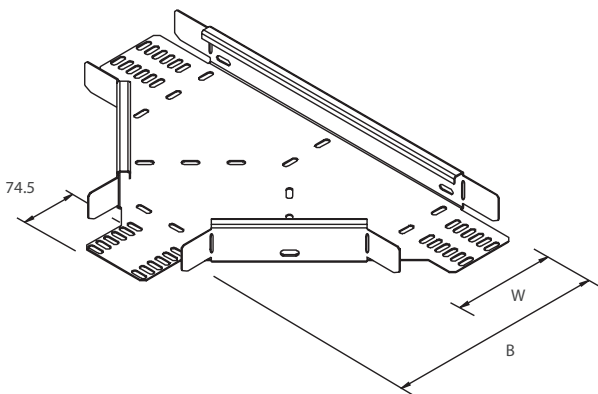
Heavy Duty - 45 ° and 90 ° Flat Bend



	W	B	-> <-	Weight
	mm	mm	C	
45 °	75	177	0.80	0.24
45 °	100	132	0.80	0.30
45 °	150	182	0.80	0.43
45 °	225	257	0.80	0.64
45 °	300	332	1.20	1.32
45 °	450	482	1.20	2.18
45 °	600	632	1.20	3.22
45 °	750	920	2.00	7.22
45 °	900	1070	2.00	9.55

	W	B	-> <-	Weight
	mm	mm	C	
90 °	75	197	0.80	0.39
90 °	100	222	0.80	0.48
90 °	150	272	0.80	0.68
90 °	225	347	0.80	1.5
90 °	300	422	1.20	2.09
90 °	450	572	1.20	3.53
90 °	600	722	1.20	5.31
90 °	750	872	2.00	11.1
90 °	900	1022	2.00	14.69

Heavy Duty - Equal Tee

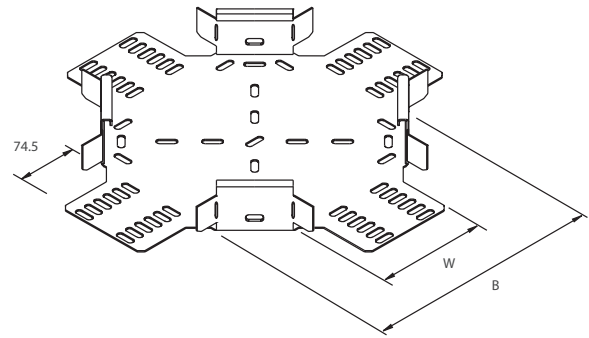


W	B	-> <-	Weight
mm	mm	C	
75	197	0.80	0.83
100	222	0.80	0.96
150	272	0.80	1.30
225	347	0.80	2.01
300	422	1.20	3.45
450	572	1.20	5.64
600	722	1.20	8.31
750	872	2.00	13.65
900	1022	2.00	17.64

Unistrut Fittings (Heavy)

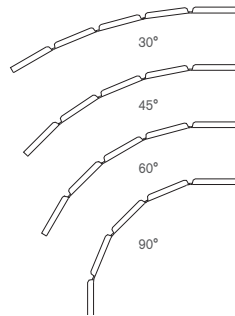
Heavy Duty - Equal Cross

W	B	-> <-	Weight
mm	mm	C	
75	325	0.80	0.83
100	350	0.80	0.96
150	400	0.80	1.30
225	475	0.80	2.01
300	550	1.20	3.45
450	700	1.20	5.64
600	850	1.20	8.31
750	872	2.00	13.65
900	1022	2.00	17.64

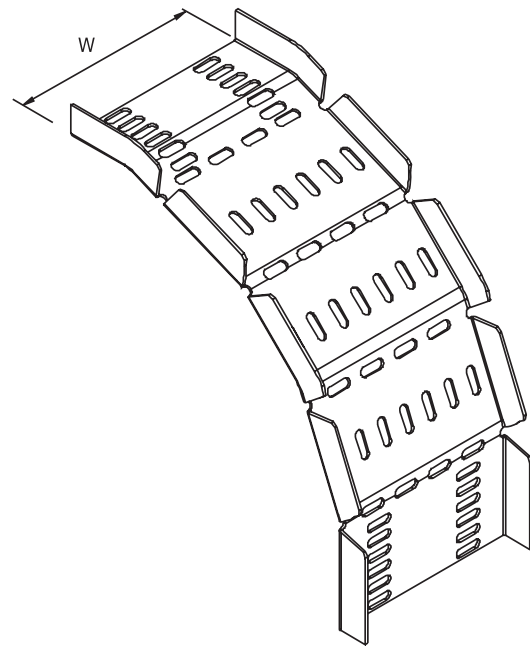
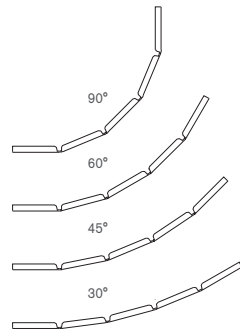


Adjustable Riser

Used as outside riser:



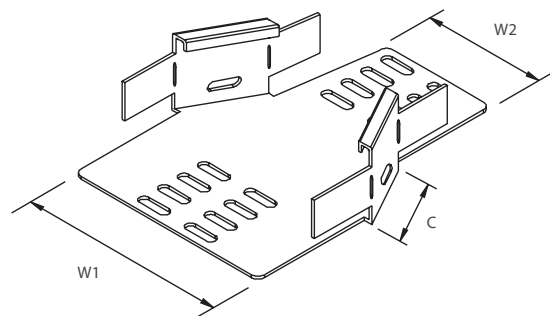
Used as inside riser:



Heavy Duty - Cable Tray Reducer

Part No	Finish
	Stainless Steel, Hot Galv or Pre Galv
TUHSR100/075	SS, HG or PG

e.g. i.e a 150mm Wide Heavy Duty cable tray in Stainless Steel Finish would be TUHSR150/10SS



UNISTRUT®

SPECIALS SERVICE

Specialists in cut lengths for Unistrut Channel & Threaded Rod!

We provide a unique service that targets special fabrication and presswork supports, manufactured to your requirements and delivered to site in exceptional lead times.



Send your drawings or enquiries to us and we will resolve your issues, using our technical manufacturing experience. Ordering, production and dispatch are all dealt with under one roof, with unparalleled value and service

Also any Unistrut product can be adapted to your specific needs. No quantity is too large and we are always happy to help.

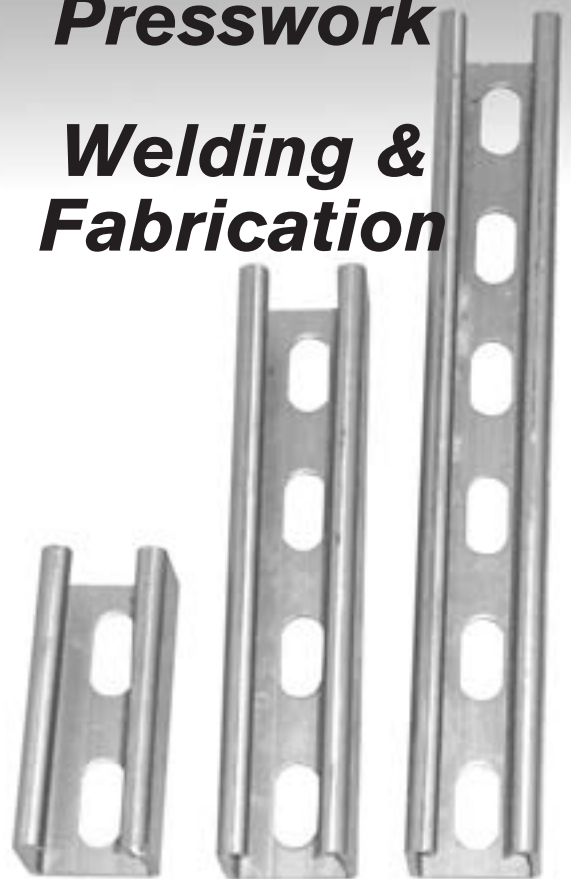
Bracketry

Pipe Hangers

Supports

Presswork

Welding & Fabrication



Metal Framing

Original Unistrut® Metal Framing

UNISTRUT®

Materials and Finishes



Image for Illustrative purposes only

Pre Galvanized

PG

Our most popular finish, generally used for internal applications. Pre Galvanized to Z275- BS EN 10346 1.0244 standards. Supplied with a zinc coating to a nominal coat of 20µm.

Plain Oil

PO

Plain oil to BS EN 10025 standards. Pickled & Oiled with a min. yield 280 n/mm² Excellent for welding and finishing on site. Ideal base for powder coating and other surface finishes.

Zinc Dichromate

ZD

Often used for clean rooms, data centres and other sterile environments.

Zinc Plated

ZP

An alternative to a Pre Galvanized product and generally used for internal applications. Again often used in sterile environments. Electroplated EN 12329.

Hot Dipped Galvanized

HG

Processed in accordance with BS EN ISO 1461: 2009. It is an excellent solution for outdoor environments and has a unique metallurgical structure which gives outstanding resistance to mechanical damage in transport, erection and service.

Stainless Steel

SS

Stainless steel to 1.4404 (316L) standards. Excellent for marine applications, highly corrosive and extreme environmental conditions.

Powder Coated

PC

A variety of powder coating finishes are available. Often used to provide a pleasing aesthetic finish such as shops and retail environments.

Deep Galvanised

DH

Processed in accordance with BS EN ISO 1461: 2009 to a greater thickness than our standard Hot Dipped Galvanised, it is an excellent solution for

INTRODUCTION

Unistrut channels and fittings offer total flexibility in design and construction of assemblies for framing applications. Unistrut products are available in a range of materials and finishes. These finishes offer differing degrees of corrosion protection for use in a variety of environments. Where required, factory decorative finishes, <i.e., powder coating>, are available to order.

MATERIALS

Channels are cold rolled from 1.5mm and 2.5mm steel strip and are available in:

- PO** PLAIN OILED
- PG** PRE - GALVANIZED
- HG** HOT DIP GALVANIZED
- SS** STAINLESS STEEL MARINE GRADE
- ZP** ELECTRO ZINC PLATED

Mild steel channels are rolled using material formed from BS EN 10025 with guaranteed yield 280N/mm² and minimum ultimate tensile strength of 370N/mm².

Stainless steel channels are rolled using material formed from BS EN10088-2 grade 1.4404 (Grade 316L).

Unistrut fittings are pressed from hot rolled, pickled and oiled mild steel plate, or strip steel mainly from grade S315MC OR grade S275 mild steel.

Stainless steel fittings are available to EN10088-2 grade1.4404 (Grade 316L).

FINISHES

Hot -Dip Galvanized

Channels are Hot-Dip Galvanized in accordance with BS EN ISO1461:2009 and chromate passivated.

The minimum average Zinc Coating is as follows:

- Cold Rolled From 1.5mm Steel – 55 microns
- 2.5mm Steel – 55 microns

Fittings spun galvanized – 45 microns

Pre-Galvanized

Pre-Galvanizing is to BS EN 10326 2004 (Coating Z275).

SPECIAL COATINGS AND MATERIAL GRADES ARE AVAILABLE ON REQUEST:

Stainless Steel

- Stainless Steel 1.4301 (304)
- Stainless Steel 1.4404 (316L)
- Cleaned (Pickled & Passivated) Applying a pickling process to stainless steel results in a clean product and it also removes any heat discoloration that has occurred in the welding process.

Deep Galvanized

A deep galvanized coating can be achieved when using steel containing a slightly higher proportion of silicon; for example Corten 'A' steel. Silicon bearing steels modify the chemistry of the galvanizing process, resulting in the zinc coating continuing to increase in thickness as long as the steel remains immersed in the zinc. Coatings up to two to three times as thick as the normal standard coating are practical to achieve.

PVC Coating

PVC coating is a thick coating with good anti-corrosion properties. It gives a generally good chemical resistance to most acidic and alkaline materials. It is not suitable for use with most solvent-based contaminants. PVC coating is suitable for application over hot-dip galvanized steel.

Zinc Electroplated

Channel nuts and bolts are zinc electroplated.

RANGE

Channels are available in plain or continuous slotted (Code T), in multiple channel combinations and all 2.5mm channels have serrated lips. Slots, 14mm wide x 28mm long or 11mm wide x 25mm long, are provided at 50mm nominal centres. Combination channels manufactured from Pre-Galvanized Steel are spot welded, whilst Hot-Dip Galvanized channels are continuously seam welded or spot welded as appropriate.

LENGTH

Standard channel lengths are 3m or 6m. Cut channel lengths can be supplied.

WEIGHTS & DIMENSIONS

Weights published in this catalogue for all materials are approximate shipping weights. All dimensions are subject to commercial tolerance variations.

TORQUE

The torque figures stated in this catalogue are based on using a properly calibrated torque wrench with a clean, dry (non-lubricated) Unistrut fitting, bolt and nut. A lubricated bolt or nut can cause extremely high tension in the connection and may lead to bolt failure. It must be noted that the accuracy of commercial torque wrenches varies widely and it is the responsibility of the installer to ensure that proper bolt torque has been achieved.

PERFORMANCE

It should not be assumed that the performance of a stainless steel product is similar to that of its mild steel counterpart. Consult your local service centre for further information.

FITTING APPLICATION

All part drawings illustrate only one application of each fitting. In most cases, many other applications are possible. Load values are based on use of a PNP12 Unistrut nut and M12 bolt unless specified otherwise.

While effort has been made to ensure the accuracy of the information contained in this catalogue at the time of publication, we cannot accept responsibility for inaccuracies resulting from undetected errors or omissions.

E & O.E. Unistrut Limited has a policy of continuous product development and reserve the right to change specifications without prior notice.

STANDARDS

The standard requires that products are stamped with BSEN6946:1988 and also the name of the manufacturer.

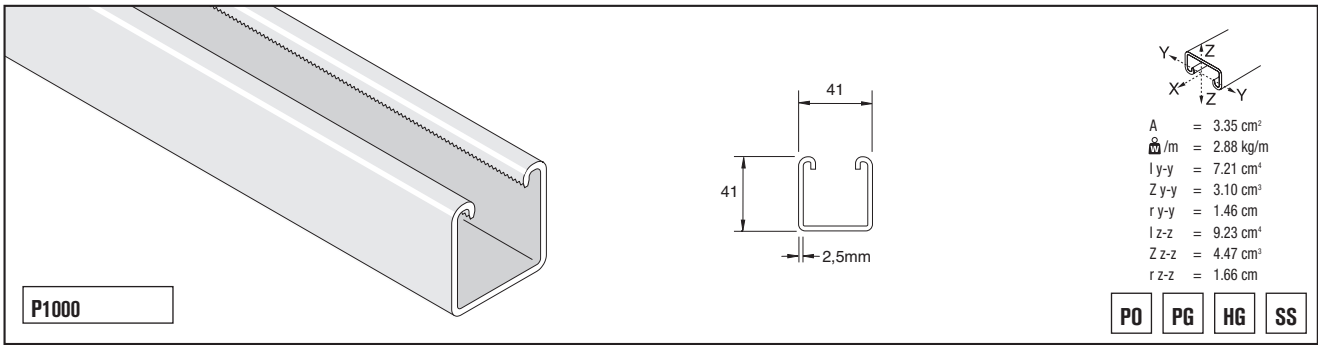
We at Unistrut® show that the standard is achieved by rolling the channel with the part number along with the full name of the Standard BSEN6946:1988, and also our own UNISTRUT® branding.

This is, as it should be, stamped into the Channel to ensure that you can clearly identify our product over the inferior product that is creeping into the market place.

The engraving should also be clearly visible at all times, even when the product has under gone further finishing treatments i.e. Hot Dip Galvanized, Epoxy Coating.

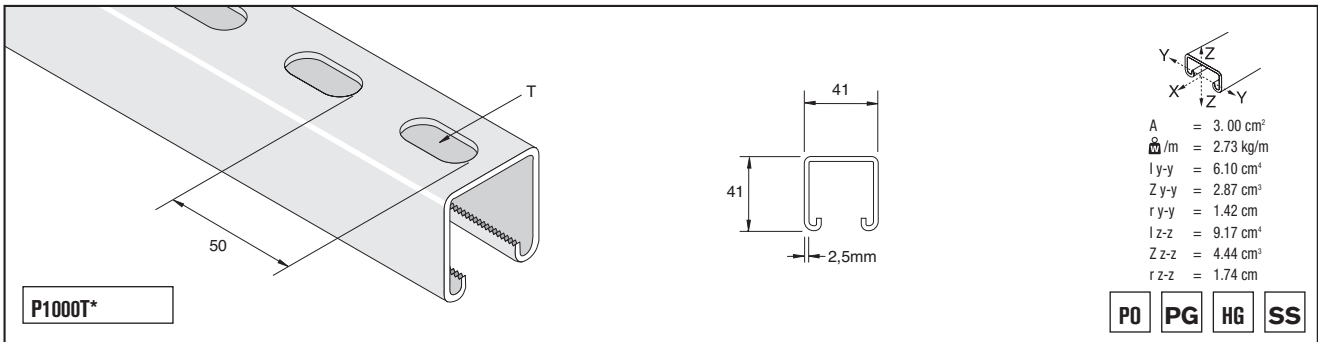
Contractors and distributors should be aware of cheap imported and non-standard products that have removable or no product marking at all, as this is not within the Standard.

Unistrut P1000



L(mm)	F		f=1/200L	f=1/360L	F ₁₆₀
	F _{max} (kN)	f _{max} (mm)			
250	17.354	0.23	-	-	16.608
500	8.672	0.95	-	-	16.187
750	5.778	2.15	-	5.602	15.245
1000	4.336	3.82	-	3.149	13.685
1250	3.463	5.97	-	2.011	12.086
1500	2.884	8.60	2.521	1.393	10.722
1750	2.472	11.70	1.844	1.020	9.575
2000	2.168	15.29	1.413	0.785	8.623
2250	1.923	19.35	1.118	0.618	7.819
2500	1.727	23.89	0.903	0.500	7.112
2750	1.570	28.91	0.746	0.412	6.504*
3000	1.442	34.40	0.628	0.343	5.995*

*180 ≤ kL/r < 250



L(mm)	F		f=1/200L	f=1/360L	F ₁₆₀
	F _{max} (kN)	f _{max} (mm)			
250	16.069	0.27	-	-	16.283
500	8.034	1.05	-	-	16.039
750	5.356	2.35	-	4.738	15.274
1000	4.012	4.18	-	2.659	13.626
1250	3.208	6.54	3.071	1.707	11.880
1500	2.678	9.41	2.129	1.177	10.418
1750	2.296	12.81	1.560	0.863	9.231
2000	2.001	16.73	1.197	0.657	8.270
2250	1.785	21.18	0.942	0.520	7.465
2500	1.599	26.15	0.765	0.422	6.779
2750	1.452	31.64	0.628	0.343	6.190*
3000	1.334	37.65	0.530	0.294	5.670*

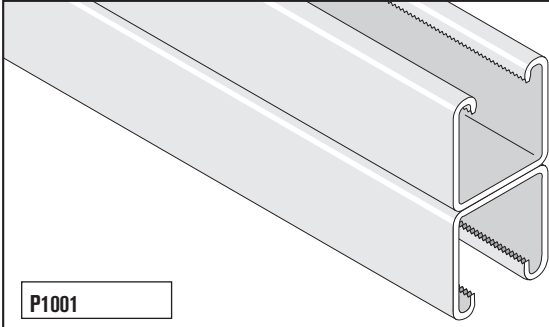
*180 ≤ kL/r < 250

Part No.	Length M		Finish				Slot Size (T)	
	3	6	PO	PG	HG	SS	25x11	28x14
P1000	•	•	•	•	•	•		
P1000T	•	•	•	•	•	•		•
P1000T10	•	•	•	•	•	•	•	

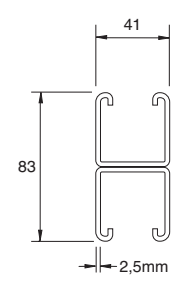
Also available in 2mm

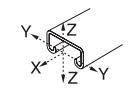
Stated loadings apply to mild steel products only.

Unistrut P1001



P1001





$A = 6.70 \text{ cm}^2$
 $\rho/m = 5.77 \text{ kg/m}$
 $I_{y-y} = 36.27 \text{ cm}^4$
 $Z_{y-y} = 8.78 \text{ cm}^3$
 $r_{y-y} = 2.32 \text{ cm}$
 $I_{z-z} = 18.46 \text{ cm}^4$
 $Z_{z-z} = 8.94 \text{ cm}^3$
 $r_{z-z} = 1.66 \text{ cm}$

PO


PG

HG

SS


L(mm)	F		$\sigma=175 \text{ N/mm}^2$	$f=1/200L$	$f=1/360L$	$F_{(kN)}$
	$F_{max}(kN)$	$f_{max}(mm)$				
250	-	-	-	-	-	28.253
500	-	-	-	-	-	28.096
750	16.383	1.21	-	-	-	27.792
1000	12.292	2.15	-	-	-	27.301
1250	9.830	3.36	-	-	-	26.438
1500	8.191	4.84	-	-	7.044	25.025
1750	7.024	6.59	-	-	5.170	23.220
2000	6.141	8.61	-	-	3.963	21.288
2250	5.454	10.89	-	-	3.129	19.394
2500	4.915	13.45	4.562	-	2.531	17.619
2750	4.464	16.27	3.767	-	2.090	15.990
3000	4.091	19.37	3.169	-	1.756	14.519*

HG



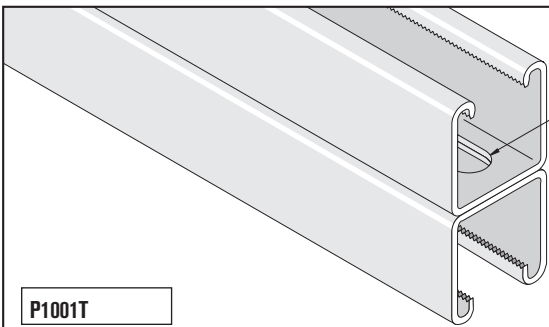
Continuously Seam Welded

SS

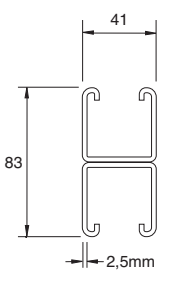


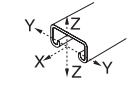
Spot Welded

*180 ≤ kL/r < 250



P1001T





$A = 6.00 \text{ cm}^2$
 $\rho/m = 5.47 \text{ kg/m}$
 $I_{y-y} = 36.21 \text{ cm}^4$
 $Z_{y-y} = 8.77 \text{ cm}^3$
 $r_{y-y} = 2.45 \text{ cm}$
 $I_{z-z} = 18.34 \text{ cm}^4$
 $Z_{z-z} = 8.88 \text{ cm}^3$
 $r_{z-z} = 1.74 \text{ cm}$

PO


PG

HG

SS

L(mm)	F		$\sigma=175 \text{ N/mm}^2$	$f=1/200L$	$f=1/360L$	$F_{(kN)}$
	$F_{max}(kN)$	$f_{max}(mm)$				
250	-	-	-	-	-	27.458
500	-	-	-	-	-	27.311
750	16.363	1.21	-	-	-	27.027
1000	12.272	2.15	-	-	-	26.585
1250	9.820	3.36	-	-	-	25.830
1500	8.182	4.84	-	-	7.034	24.584
1750	7.014	6.59	-	-	5.170	22.906
2000	6.131	8.61	-	-	3.953	21.042
2250	5.454	10.90	-	-	3.120	19.198
2500	4.905	13.46	4.552	-	2.531	17.452
2750	4.464	16.28	3.767	-	2.090	15.8520
3000	4.091	19.38	3.159	-	1.756	14.391*

HG



Continuously Seam Welded

PO

PG

SS

Spot Welded

*180 ≤ kL/r < 250

Part No.	Length M		Finish				Slot Size (T)	
	3	6	PO	PG	HG	SS	25x11	28x14
P1001	•	•	•	•	•	•		
P1001T	•	•	•	•	•	•		•
P1001T10	•	•	•	•	•	•	•	

Stated loadings apply to mild steel products only.

Unistrut P3300

$A = 2.32 \text{ cm}^2$
 $\rho/m = 1.91 \text{ kg/m}$
 $I_{y-y} = 1.19 \text{ cm}^4$
 $Z_{y-y} = 0.97 \text{ cm}^3$
 $r_{y-y} = 0.71 \text{ cm}$
 $I_{z-z} = 5.34 \text{ cm}^4$
 $Z_{z-z} = 2.59 \text{ cm}^3$
 $r_{z-z} = 1.51 \text{ cm}$

P3300

PO PG HG SS

L(mm)	F		$\sigma=175 \text{ N/mm}^2$	$f=1/200L$	$f=1/360L$	F_{168}
	$F_{max}(kN)$	$f_{max}(mm)$				
250	5.425	0.45	-	-	-	10.222
500	2.708	1.81	-	-	-	9.761
750	1.805	4.07	1.658	0.922	0.922	8.427
1000	1.354	7.24	0.932	0.520	0.520	6.769
1250	1.079	11.32	0.598	0.324	0.324	5.376
1500	0.903	16.30	0.412	0.226	0.226	4.287*
1750	0.775	22.19	0.304	-	-	3.463*
2000	0.677	28.99	0.226	-	-	-

* $180 \leq kL/r < 250$

$A = 2.075 \text{ cm}^2$
 $\rho/m = 1.76 \text{ kg/m}$
 $I_{y-y} = 1.04 \text{ cm}^4$
 $Z_{y-y} = 0.92 \text{ cm}^3$
 $r_{y-y} = 0.71 \text{ cm}$
 $I_{z-z} = 5.32 \text{ cm}^4$
 $Z_{z-z} = 2.57 \text{ cm}^3$
 $r_{z-z} = 1.61 \text{ cm}$

P3300T10

PO PG HG SS

L(mm)	F		$\sigma=175 \text{ N/mm}^2$	$f=1/200L$	$f=1/360L$	F_{168}
	$F_{max}(kN)$	$f_{max}(mm)$				
250	5.152	0.49	-	-	-	-
500	2.576	1.97	-	-	1.819	-
750	1.717	4.42	1.455	0.809	0.809	-
1000	1.288	7.87	0.819	0.455	0.455	-
1250	1.030	12.29	0.524	0.291	0.291	-
1500	0.859	17.70	0.364	-	-	-
1750	0.736	24.09	0.267	-	-	-
2000	0.644	31.46	-	-	-	-

Part No.	Length M		Finish			
	3	6	PO	PG	HG	SS
P3300	•	•	•	•	•	•
P3300T10	•	•	•	•	•	•

Stated loadings apply to mild steel products only.

T=14mm x 28mm

41

41

2.5mm

P3301T10

PO	PG	HG	SS
-----------	-----------	-----------	-----------

$A = 4.09 \text{ cm}^2$
 $\rho/m = 3.53 \text{ kg/m}$
 $I_{y-y} = 6.42 \text{ cm}^4$
 $I_{z-z} = 10.64 \text{ cm}^4$
 $Z_{y-y} = 2.97 \text{ cm}^3$
 $Z_{z-z} = 5.14 \text{ cm}^3$
 $r_{y-y} = 1.25 \text{ cm}$
 $r_{z-z} = 1.61 \text{ cm}$

L(mm)	F		$\sigma = 175 \text{ N/mm}^2$	$f = 1/200L$	$f = 1/360L$	F_{max}
	$F_{\text{max}}(\text{kN})$	f				
250	16.632	0.26	-	-	-	17.266
500	8.316	1.03	-	-	-	17.030
750	5.544	2.31	-	-	4.991	16.599
1000	4.158	4.11	-	-	2.808	15.667
1250	3.326	6.43	3.234	-	1.797	14.156
1500	2.772	9.26	2.246	-	1.248	12.478
1750	2.376	12.60	1.650	-	0.917	10.899
2000	2.079	16.45	1.263	-	0.702	9.496
2250	1.848	20.83	0.998	-	0.555	8.289*
2500	1.663	25.71	0.809	-	0.449	7.250*
2750	1.512	31.11	0.668	-	0.371	6.377*
3000	1.386	37.02	0.562	-	0.312	-

HG
Continuously Seam Welded

PO PG SS
Spot Welded

*180 ≤ kL/r < 250

Part No.	Length M		Finish			
	3	6	PO	PG	HG	SS
P3301T10	•	•	•	•	•	•

Stated loadings apply to mild steel products only.

Unistrut P2000 & 4000

P2000T

T=14mm x 28mm

41

41

1.5mm

Y
Z
X

A	= 1.92 cm ²
ρ/m	= 1.72 kg/m
I _{y-y}	= 4.24 cm ⁴
Z _{y-y}	= 2.04 cm ³
r _{y-y}	= 1.48 cm
I _{z-z}	= 6.10 cm ⁴
Z _{z-z}	= 2.95 cm ³
r _{z-z}	= 1.78 cm

PO PG HG

L(mm)	F		f=1/200L	f=1/360L	F _{max}
	F _{max} (kN)	f _{max} (mm)			
250	11.42	0.26	-	-	11.35
500	5.71	1.06	-	-	10.87
750	3.81	2.40	-	3.30	10.65
1000	2.85	4.27	*	1.85	9.30
1250	2.28	6.68	2.13	1.18	7.79
1500	1.90	9.62	1.48	0.82	6.54
1750	1.63	13.10	1.09	0.60	5.55
2000	1.42	17.11	0.83	0.46	4.78
2250	1.27	21.65	0.66	0.36	4.17
2500	1.14	26.73	0.53	0.29	3.69
2750	1.03	32.35	0.43	0.24	3.30*
3000	0.95	38.50	0.36	0.21	3.05*

* K. L/r = >180 < 250

P4000T10

T=11 x 25 mm

41

21

1.5mm

Y
Z
X

A	= 1.34 cm ²
ρ/m	= 1.16 kg/m
I _{y-y}	= 0.78 cm ⁴
Z _{y-y}	= 0.71 cm ³
r _{y-y}	= 0.76 cm
I _{z-z}	= 3.66 cm ⁴
Z _{z-z}	= 1.77 cm ³
r _{z-z}	= 1.65 cm

PG

L(mm)	F		f=1/200L	f=1/360L	F _{max}
	F _{max} (kN)	f _{max} (mm)			
250	3.976	0.51	-	-	-
500	1.988	2.02	-	1.364	-
750	1.325	4.55	1.092	0.606	-
1000	0.994	8.09	0.614	0.341	-
1250	0.795	12.65	0.393	0.218	-
1500	0.663	18.21	0.273	-	-
1750	0.568	24.79	-	-	-
2000	0.497	32.38	-	-	-

Part No.	Length M		PO	Finish	
	3	6		PG	HG
P2000T	•	•	•	•	•
P4000T10	•	•		•	

Stated loadings apply to mild steel products only.

$A = 5.06 \text{ cm}^2$
 $\rho/m = 4.05 \text{ kg/m}$
 $I_{y-y} = 37.76 \text{ cm}^4$
 $Z_{y-y} = 9.01 \text{ cm}^3$
 $r_{y-y} = 2.72 \text{ cm}$
 $I_{z-z} = 16.95 \text{ cm}^4$
 $Z_{z-z} = 8.21 \text{ cm}^3$
 $r_{z-z} = 1.82 \text{ cm}$

P5000T

Dimensions: 41 mm width, 83 mm height, 2.5 mm lip thickness, 50 mm lip length.
 Material: T = 14 x 28 mm.

PG HG

L(mm)	F		f=1/200L	f=1/360L	F _{min}
	F _{max} (kN)	f _{max} (mm)			
250	-	-	-	-	19.620
500	-	-	-	-	19.355
750	12.596	0.89	-	-	16.422
1000	9.447	1.59	-	-	12.822
1250	7.554	2.48	-	-	10.124
1500	6.298	3.58	-	-	8.182
1750	5.396	4.86	-	-	6.769
2000	4.719	6.36	-	4.120	5.719
2250	4.199	8.05	-	3.257	4.934
2500	3.777	9.93	-	2.639	4.326
2750	3.434	12.02	-	2.178	3.846
3000	3.149	14.31	-	1.834	3.453

$A = 10.12 \text{ cm}^2$
 $\rho/m = 8.11 \text{ kg/m}$
 $I_{y-y} = 243.16 \text{ cm}^4$
 $Z_{y-y} = 29.44 \text{ cm}^3$
 $r_{y-y} = 4.90 \text{ cm}$
 $I_{z-z} = 33.90 \text{ cm}^4$
 $Z_{z-z} = 16.42 \text{ cm}^3$
 $r_{z-z} = 1.83 \text{ cm}$

P5001T

Dimensions: 41 mm width, 165 mm height, 2.5 mm lip thickness.

Material: T = 14 x 28 mm.

PG HG

L(mm)	F		f=1/200L	f=1/360L	F _{min}
	F _{max} (kN)	f _{max} (mm)			
250	-	-	-	-	34.266
500	-	-	-	-	34.129
750	-	-	-	-	33.825
1000	-	-	-	-	33.432
1250	24.535	1.25	-	-	32.864
1500	20.444	1.80	-	-	32.010
1750	17.521	2.45	-	-	30.764
2000	15.333	3.20	-	-	29.165
2250	13.626	4.05	-	-	27.350
2500	12.263	5.00	-	-	25.467
2750	11.154	6.05	-	-	23.613
3000	10.222	7.21	-	-	21.847

PG HG
 Spot Welded

Part No.	Length M		Finish	
	3	6	PG	HG
P5000T	•	•	•	•
P5001T	•	•		•

Stated loadings apply to mild steel products only.

Unistrut P5500

P5500T

T = 14 x 28 mm

41

62

2,5mm

Y
Z
X

A = 4.03 cm²
 ρ /m = 3.60 kg/m
 I_{y-y} = 17.57 cm⁴
 Z_{y-y} = 5.59 cm³
 r_{y-y} = 2.09 cm
 I_{z-z} = 13.07 cm⁴
 Z_{z-z} = 6.33 cm³
 r_{z-z} = 1.79 cm

PG HG

L(mm)	F		f=1/200L	f=1/360L	F _{max}
	F _{max} (kN)	f _{max} (mm)			
250	-	-	-	-	20.277
500	-	-	-	-	20.081
750	9.928	1.50	-	-	18.443
1000	7.446	2.67	-	-	15.245
1250	5.955	4.18	-	4.944	12.557
1500	4.964	6.02	-	3.434	10.507
1750	4.248	8.19	-	2.521	8.966
2000	3.718	10.70	3.473	1.923	7.789
2250	3.306	13.55	2.747	1.521	6.867
2500	2.972	16.73	2.217	1.236	6.141
2750	2.708	20.24	1.834	1.020	5.543
3000	2.482	24.09	1.540	0.853	5.042

P5501T

T = 14 x 28 mm

41

124

2,5mm

Y
Z
X

A = 8.06 cm²
 ρ /m = 7.21 kg/m
 I_{y-y} = 109.74 cm⁴
 Z_{y-y} = 17.70 cm³
 r_{y-y} = 3.69 cm
 I_{z-z} = 26.14 cm⁴
 Z_{z-z} = 12.66 cm³
 r_{z-z} = 1.80 cm

PG HG

PG HG
Spot Welded

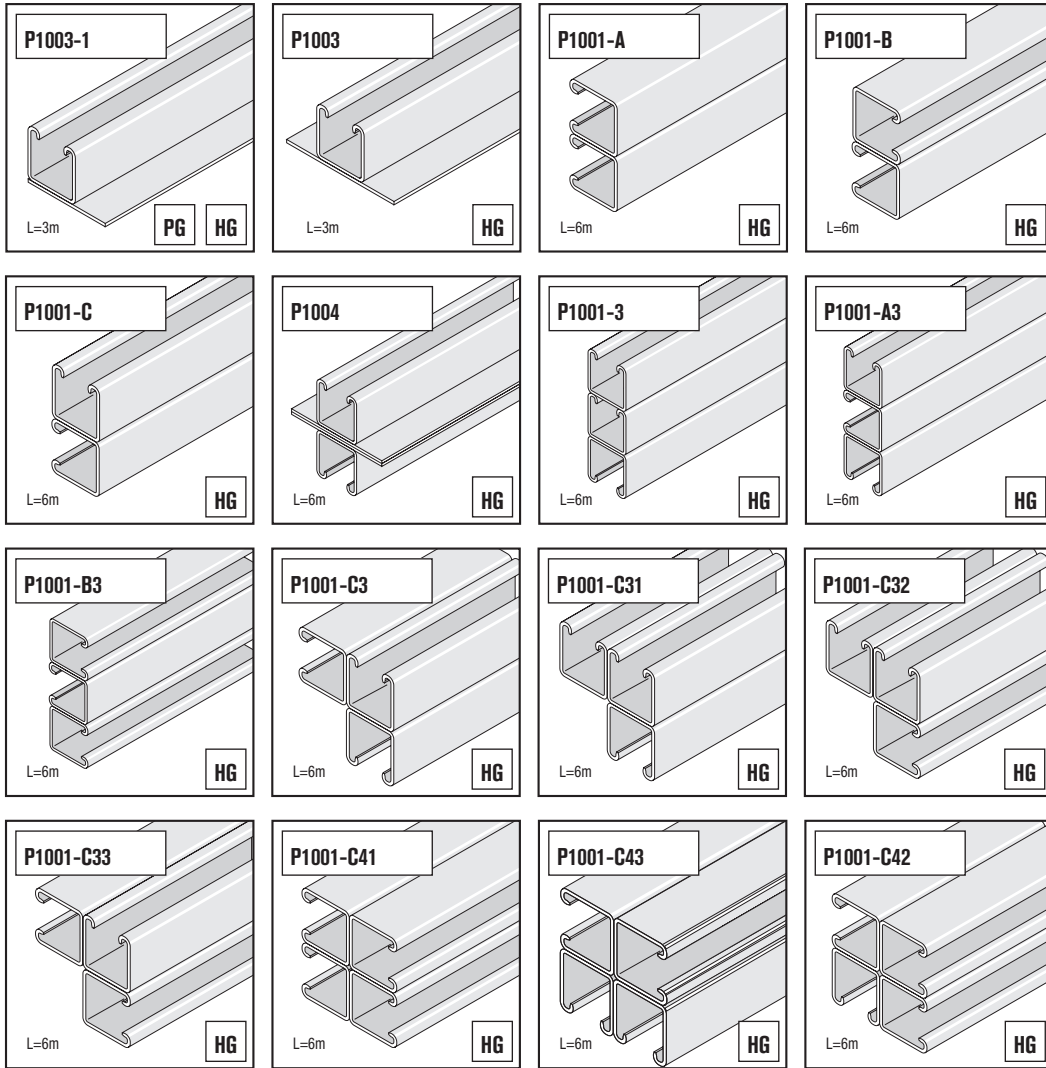
L(mm)	F		f=1/200L	f=1/360L	F _{max}
	F _{max} (kN)	f _{max} (mm)			
250	-	-	-	-	34.747
500	-	-	-	-	34.590
750	-	-	-	-	34.257
1000	-	-	-	-	33.766
1250	-	-	-	-	32.971
1500	15.745	3.07	-	-	31.677
1750	13.499	4.18	-	-	29.822
2000	11.811	5.47	-	-	27.674
2250	10.497	6.92	-	9.476	25.457
2500	9.477	8.54	-	7.671	23.299
2750	8.584	10.34	-	6.337	21.288
3000	7.868	12.30	-	5.327	19.443

Part No.	Length M		Finish	
	3	6	PG	HG
P5500T	•	•	•	•
P5501T		•	•	•

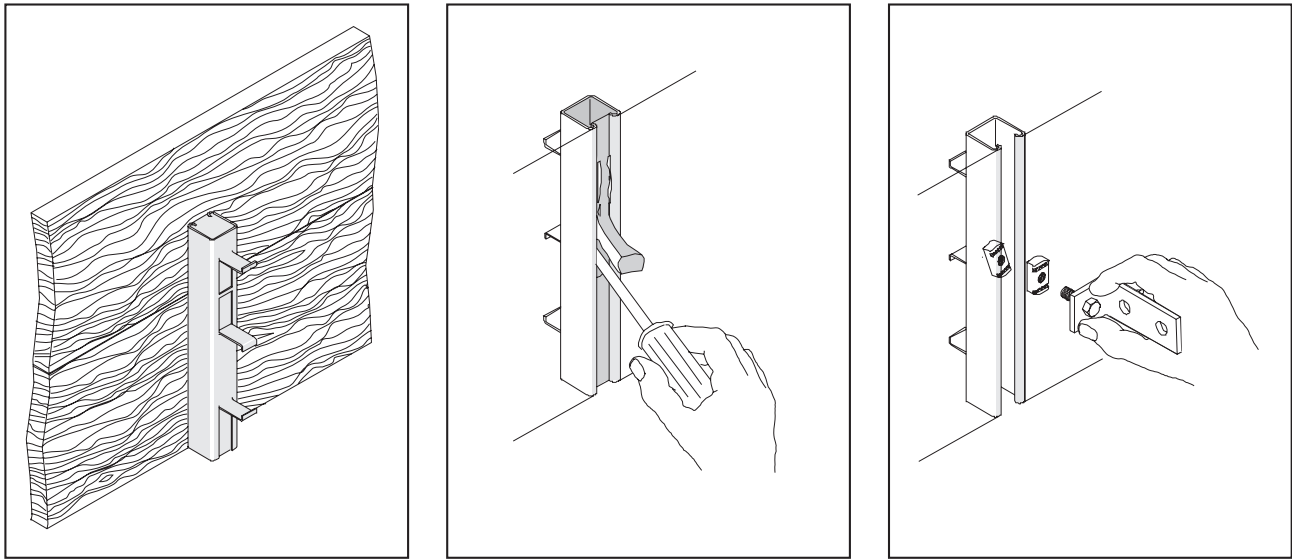
Stated loadings apply to mild steel products only.
 Spot welded unless otherwise noted.

Unistrut P1000 Special Channels

P1000 Special Channels require a minimum order quantity



Concrete Inserts



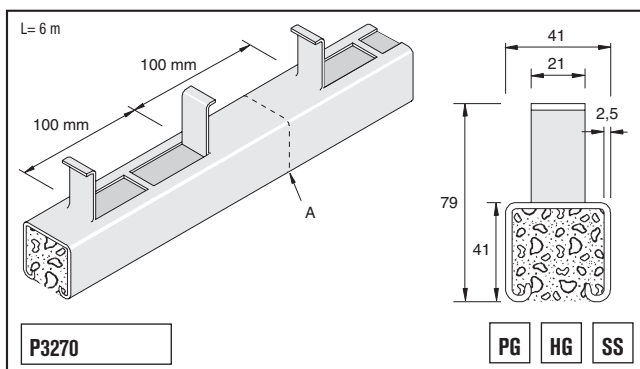
Concrete Inserts

Unistrut concrete inserts are manufactured from the standard Unistrut channel and may be installed in floors, walls, or ceilings for the support of all types of piping, conduit, cable support, and other industrial equipment.

Unistrut channel nuts can be positioned anywhere along the length of the channel, providing a means of attaching fittings or rods where required.

Unistrut inserts are available pre-filled with an easily removable foam to prevent the ingress of grout and cement.

Concrete inserts can be supplied in pre galvanized, hot dip galvanized and stainless steel finishes.

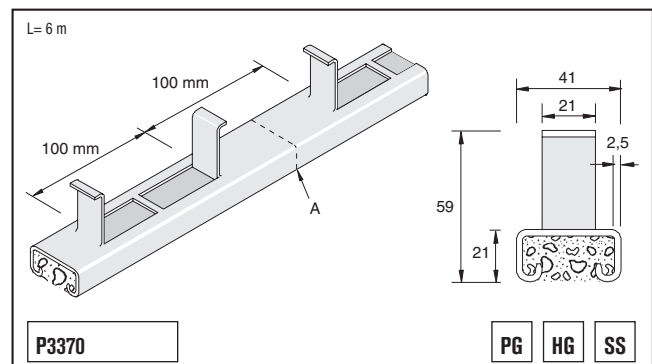


P3270 inserts are designed to accommodate M6, M8, M10, M12 & M16 fixings. Cutting positions are located between lugs as indicated (A) in increments of 200mm.

The recommended loading in average strength concrete* with a safety factor of 3, is:

Part No.	Pullout	Length
P3270	8.8kN	300mm

*B = 25 N/mm²



P3370 inserts are designed to accommodate M6, M8, M10 & M12 fixings. Cutting positions are located between lugs as indicated (A) in increments of 200mm.

The recommended loading in average strength concrete* with a safety factor of 3, is:

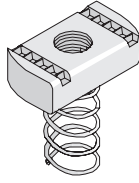
Part No.	Pullout	Length
P3370	6.7kN	300mm

*B = 25 N/mm²

Stated loadings apply to mild steel products only.

Channel Nuts

Suitable for P1000, P2000 & P3270

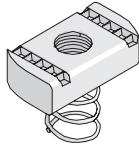


PNL06-PNL12A

ZP HG SS

Part No.	Finish			Thread Size	Ⓜ /100	
	ZP	HG	SS			
PNL06	•	•	•	M6	3.26	100
PNL08	•	•	•	M8	3.53	100
PNL10	•	•	•	M10	3.95	100
PNL12	•	•	•	M12	4.78	100
PNL12A	•	•	•	M12	3.43	100

Suitable for P3300, P4000 & P3370

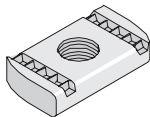


PNS06-PNS12A

ZP HG SS

Part No.	Finish			Thread Size	Ⓜ /100	
	ZP	HG	SS			
PNS06	•	•	•	M6	3.1	100
PNS08	•	•	•	M8	3.5	100
PNS10	•	•	•	M10	3.9	100
PNS12A	•	•	•	M12	3.6	100

Suitable for P1000, P2000, P3300, P4000, P5000, P5500, P3270 & P3370



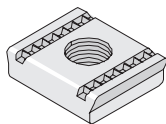
PNP06-PNP12A

ZP HG SS

Part No.	Finish			Thread Size	Ⓜ /100	
	ZP	HG	SS			
PNP06	•	•	•	M6	3.10	100
PNP08	•	•	•	M8	3.40	100
PNP10	•	•	•	M10	3.80	100
PNP12*	•	•	•	M12	4.68	100
PNP12A	•	•	•	M12	3.43	100

* PNP12 is not suitable for Unistrut channels P3300, P4000 & P3370

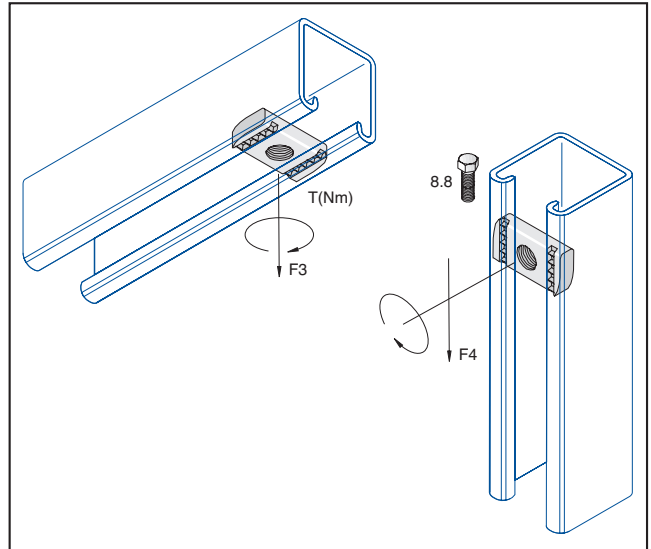
Suitable for P1000, P5000, P5500 & P3270



PNP16

ZP

Part No.	Finish			Thread Size	Ⓜ /100	
	ZP	HG	SS			
PNP16*	•			M16	8.00	100



	Part No. ZP	T (Nm)	F3 kN
P1000 41	PNP06	12	4.70
	PNP08	28	5.28
	PNP10	55	6.86
	PNP12	70	8.82
	PNP16	125	10.30
	M16SN*	95	8.82
P3300 21	PNP06	12	4.70
	PNP08	28	5.78
	PNP10	55	6.86
	PNP12A	60	6.86
	PNP12A	60	6.86
	M16SN*	95	8.82
P4000 21	PNP06	12	3.33
	PNP08	28	3.53
	PNP10	40	3.92
	PNP12A	60	4.41
	PNP12A	60	4.41
	M16SN*	40	3.92


	Part No. SS	T (Nm)	F3 kN
P1000 41	PNP06	6.5	2.45
	PNP08	16	4.41
	PNP10	31.5	6.86
	PNP12A	55	6.86
	PNP16	125	10.30
P3300 21	PNP06	6.5	2.45
	PNP08	16	4.41
	PNP10	31.5	6.86
	PNP12A	55	6.86


*M16SN Hot forged


**QUICK FIT OPTIONS
NOW AVAILABLE**


See page 76 for
our **Kwikstrut**
range

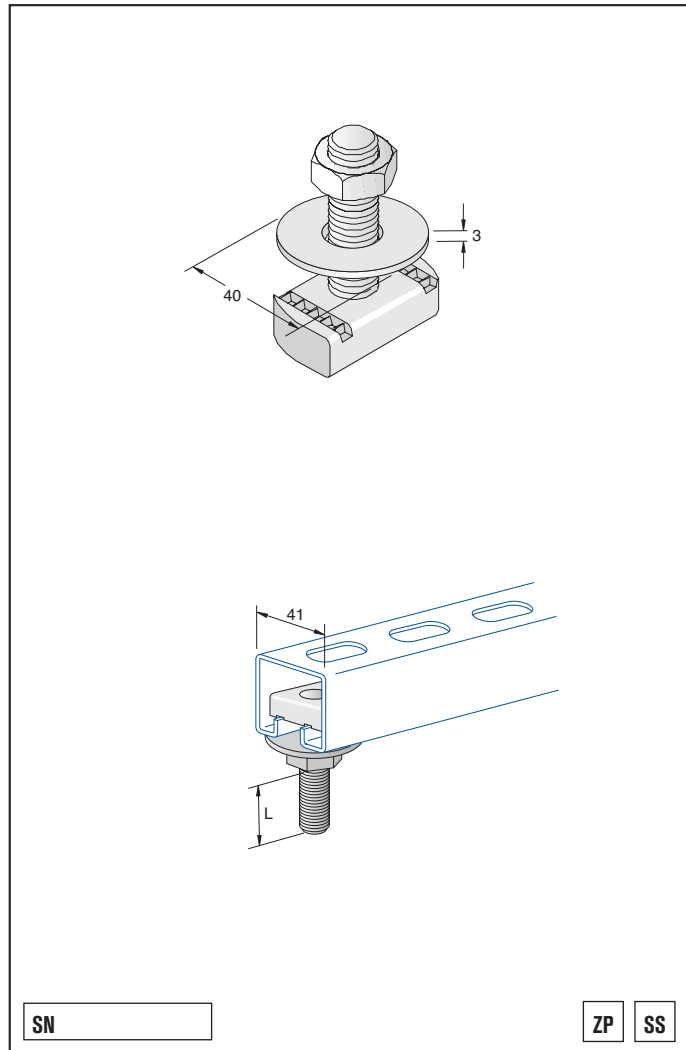
Part No.	Finish	L	
	ZP		
M6X30SN	•	18.5mm	100

Part No.	Finish	L	
	ZP	SS	
M8X30SN	•	15.5mm	100
M8X40SN	•	25.5mm	100
M8X50SN	•	35.5mm	100
M8X60SN	•	45.5mm	100
M8X75SN	•	60.5mm	100
M8X100SN	•	85.5mm	100

Part No.	Finish	L	
	ZP	SS	
M10X30SN	•	13mm	100
M10X40SN	•	23mm	100
M10X50SN	•	33mm	100
M10X60SN	•	43mm	100
M10X75SN	•	68mm	100
M10X100SN	•	83mm	100

Part No.	Finish	L	
	ZP	SS	
M12X30SN	•	11mm	100
M12X40SN	•	21mm	100
M12X50SN	•	31mm	100
M12X60SN	•	41mm	100
M12X75SN	•	56mm	100
M12X100SN	•	81mm	100

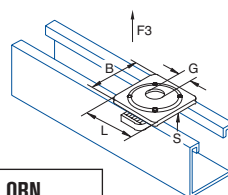
Part No.	Finish	L	
	ZP		
M16X63SN*	•	40mm	100
M16X102SN*	•	79mm	100



* Hot forged

QUICK FIT OPTIONS NOW AVAILABLE

See page 76 for
our **Kwikstrut**
range



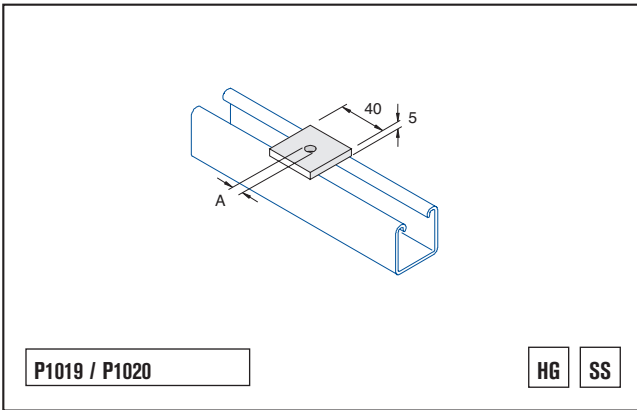
QRN



ZP

Flat Fittings

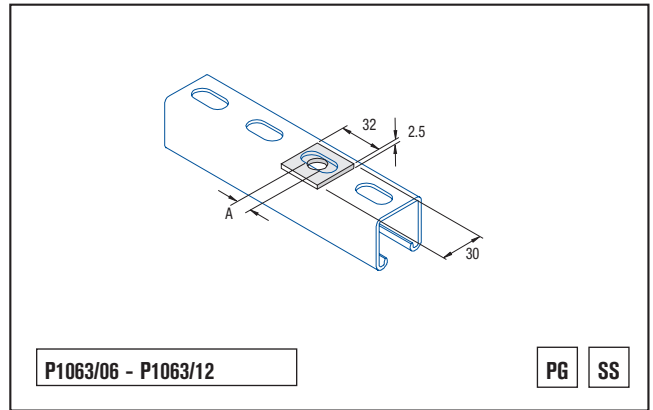
Metal Framing



P1019 / P1020

HG SS

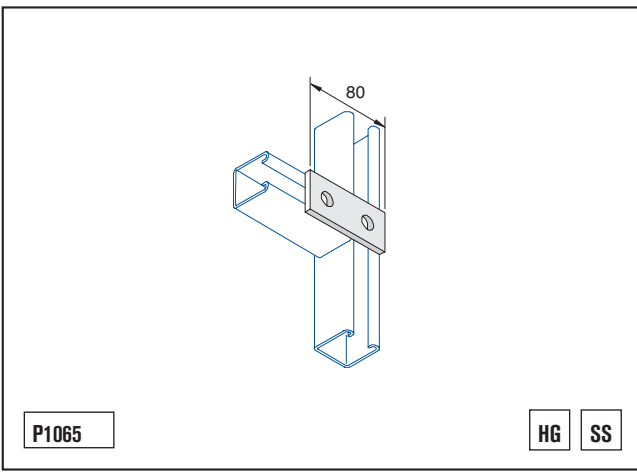
Part No.	Finish		(mm)			
	HG	SS				
P1019	•	•	9	M6/M8	0.06	100
P1020	•	•	13	M10/M12	0.06	100



P1063/06 - P1063/12

PG SS

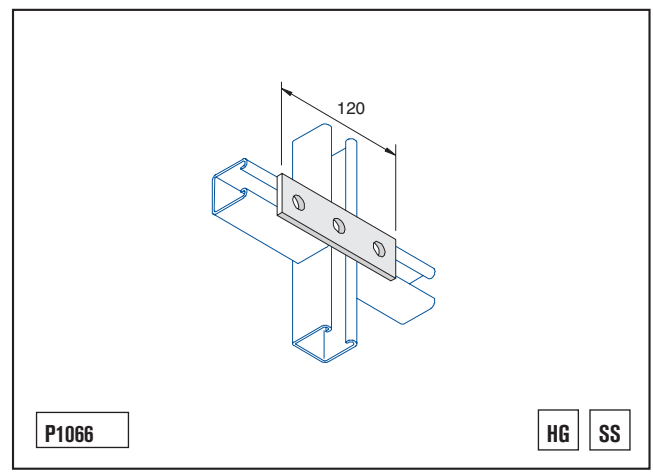
Part No.	Finish		(mm)			
	PG	SS				
P1063/06	•	•	8	M6	0.02	100
P1063/08	•	•	10	M8	0.02	100
P1063/10	•	•	12	M10	0.02	100
P1063/12	•	•	14	M12	0.02	100



P1065

HG SS

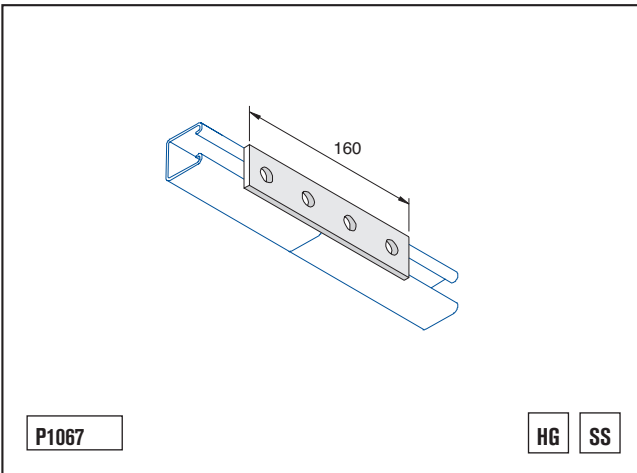
Part No.	Finish		(mm)		
	HG	SS			
P1065	•	•	8	0.17	20



P1066

HG SS

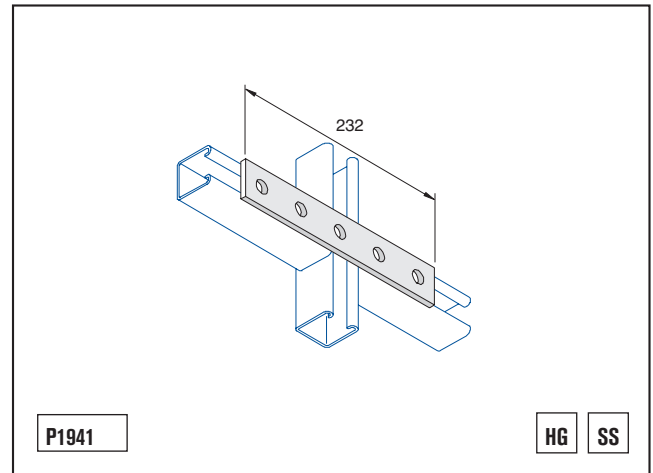
Part No.	Finish		(mm)		
	HG	SS			
P1066	•	•	120	0.25	20



P1067

HG SS

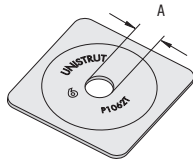
Part No.	Finish			
	HG	SS		
P1067	•	•	0.35	20



P1941

HG SS

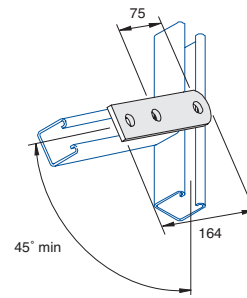
Part No.	Finish			
	HG	SS		
P1941	•	•	0.43	20



P1062T/P1064T

PG

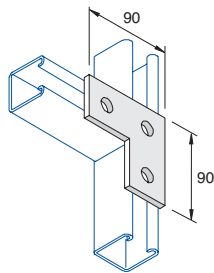
Part No.	Finish	(mm)			
P1062T	PG	8	M6	3.0	100
P1062AT	•	10	M8	3.0	100
P1063T	•	12	M10	3.0	100
P1064T	•	14	M12	3.0	100



P2322

HG

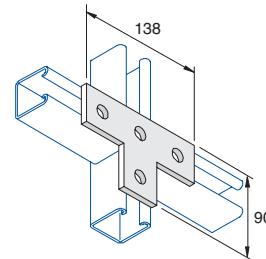
Part No.	Finish		
P2322	HG	0.34	25



P1036

HG SS

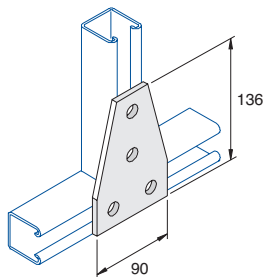
Part No.	Finish			
	HG	SS		
P1036	•	•	0.26	25



P1031

HG SS

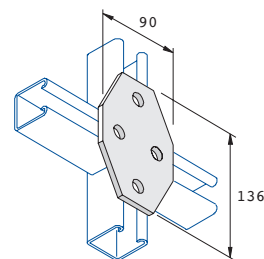
Part No.	Finish			
	HG	SS		
P1031	•	•	0.36	25



P1358

HG SS

Part No.	Finish			
	HG	SS		
P1358	•	•	0.48	10



P1580

HG SS

Part No.	Finish			
	HG	SS		
P1580	•	•	0.37	10

Angle Fittings

Metal Framing

P1546, P2095 & P2097 **HG** **SS**

Part No.	Finish		A°	⚖️	📦
	HG	SS			
P1546	•	•	45°	0.26	25
P2097	•	•	60°	0.26	25
P2095	•	•	75°	0.26	25

P2101 & P2103 **HG**

Part No.	Finish		A°	⚖️	📦
	HG	SS			
P2101	•		30°	0.26	25
P2103	•		15°	0.26	25

P1186, P2106 & P2108 **HG** **SS**

Part No.	Finish		A°	⚖️	📦
	HG	SS			
P1186	•	•	45°	0.26	25
P2106	•	•	75°	0.26	25
P2108	•	•	60°	0.26	25

P2815S **ZP**

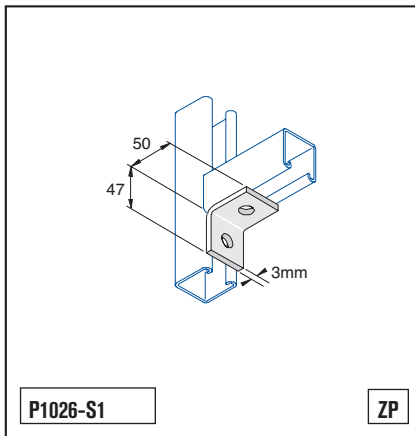
Part No.	Finish		⚖️	📦
	ZP			
P2815S	•		1.53	10

P1354 **ZP**

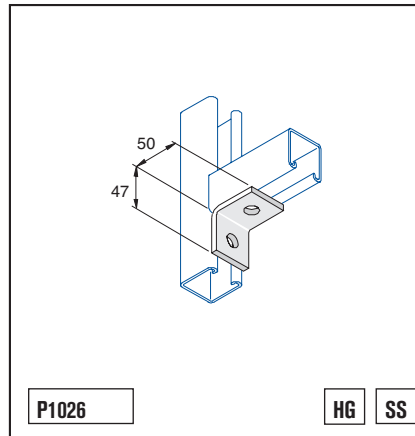
Part No.	Finish		⚖️	📦
	ZP			
P1354	•		0.45	20

P1074 **HG** **SS**

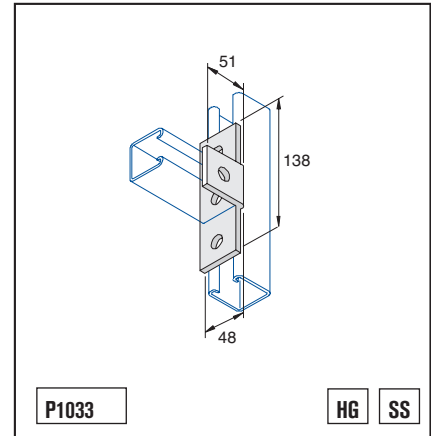
Part No.	Finish		⚖️	📦
	HG	SS		
P1074	•	•	0.35	25



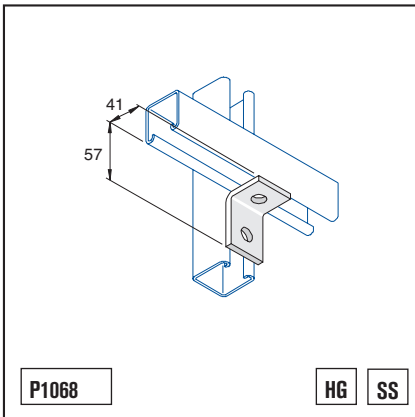
Part No.	Finish	Weight	Quantity
P1026-S1	ZP	0.07	100



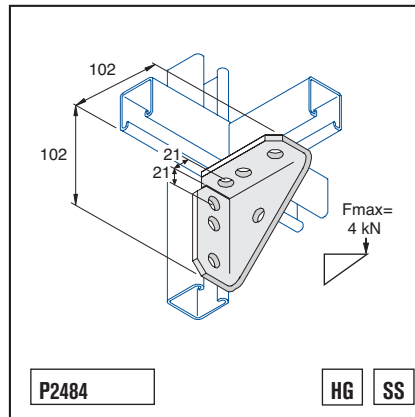
Part No.	Finish	Weight	Quantity
P1026	HG SS	0.17	100



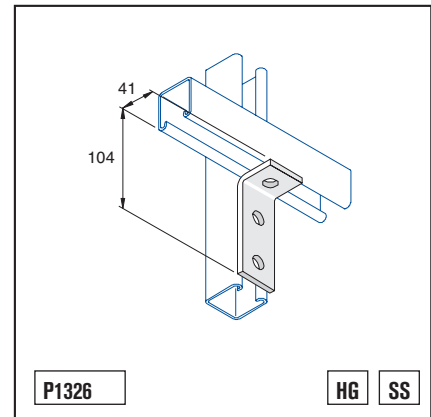
Part No.	Finish	Weight	Quantity
P1033	HG SS	0.36	25



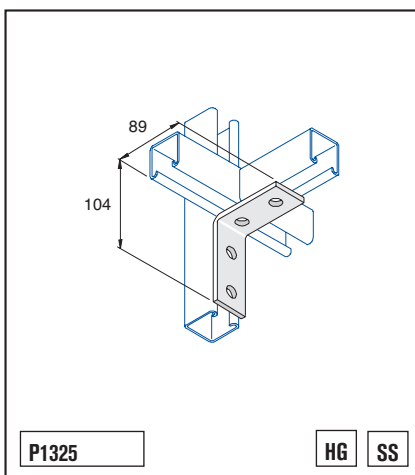
Part No.	Finish	Weight	Quantity
P1068	HG SS	0.17	25



Part No.	Finish	Weight	Quantity
P2484	HG SS	0.61	10



Part No.	Finish	Weight	Quantity
P1326	HG SS	0.26	25

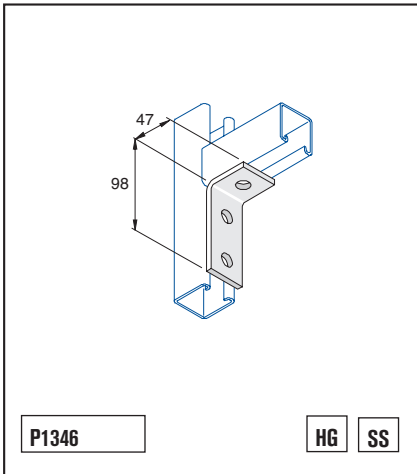


Part No.	Finish	Weight	Quantity
P1325	HG SS	0.35	25

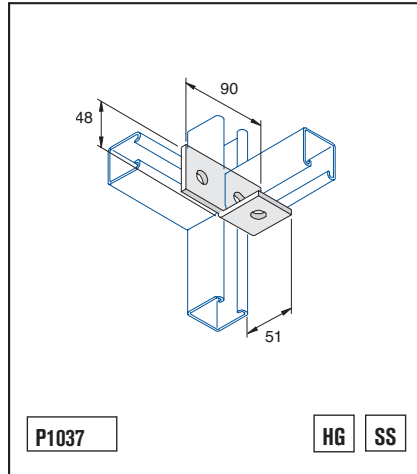
Stated loadings apply to mild steel products only.

90° Angle Fittings

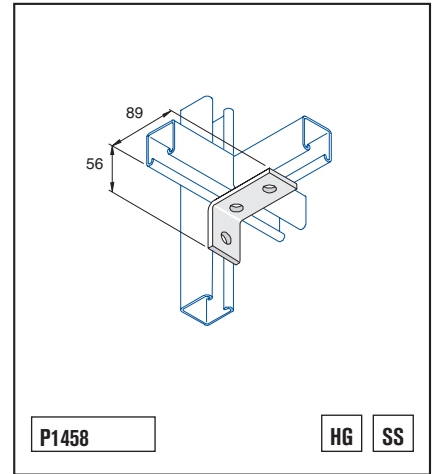
Metal Framing



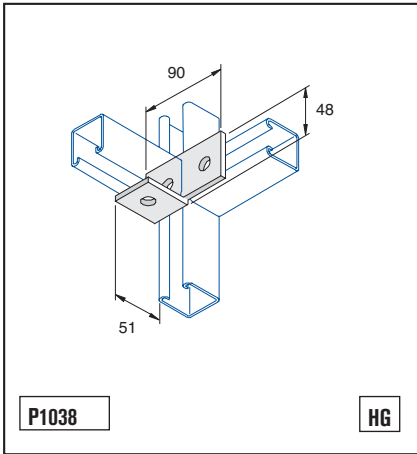
Part No.	Finish		Weight	Pcs
	HG	SS		
P1346	•	•	0.26	25



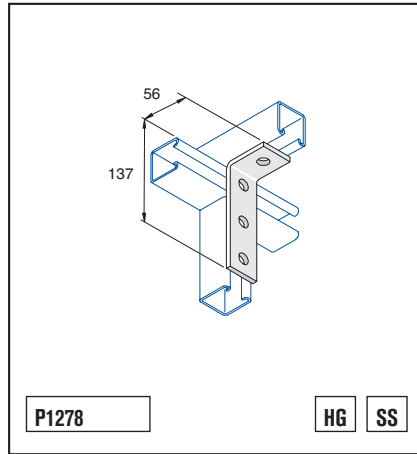
Part No.	Finish		Weight	Pcs
	HG	SS		
P1037	•	•	0.26	25



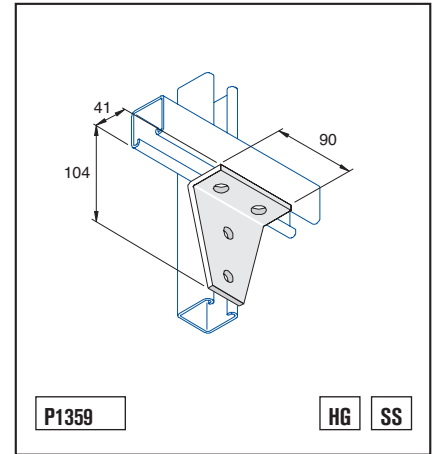
Part No.	Finish		Weight	Pcs
	HG	SS		
P1458	•	•	0.26	25



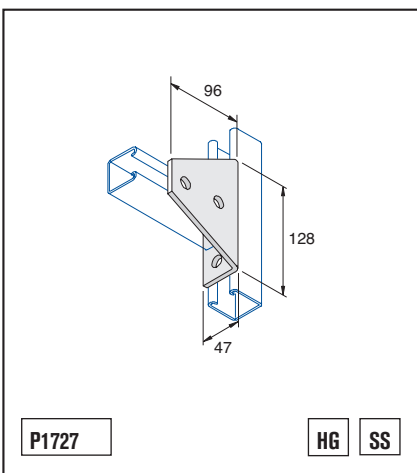
Part No.	Finish		Weight	Pcs
	HG	SS		
P1038	•		0.26	25



Part No.	Finish		Weight	Pcs
	HG	SS		
P1278	•	•	0.26	25

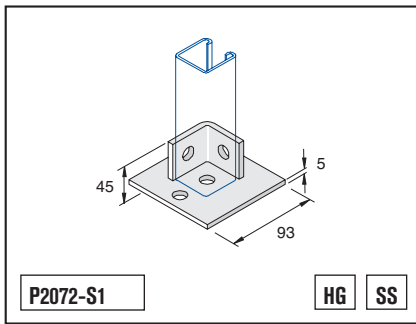


Part No.	Finish		Weight	Pcs
	HG	SS		
P1359	•	•	0.48	25



Part No.	Finish		Weight	Pcs
	HG	SS		
P1727	•	•	0.70	10

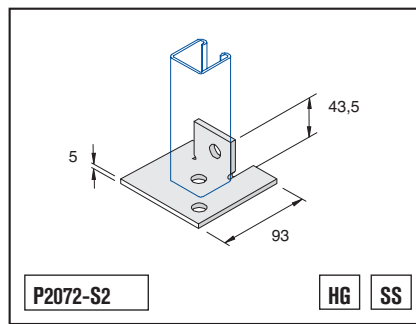
Stated loadings apply to mild steel products only.



P2072-S1

HG SS

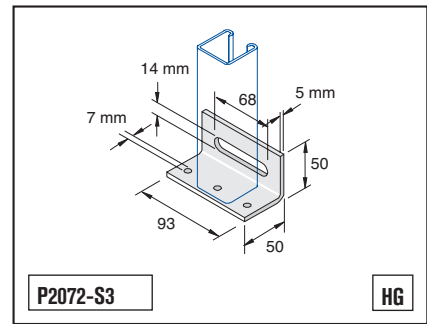
Part No.	Finish		Weight	Pkg
	HG	SS		
P2072-S1	•	•	0.48	10



P2072-S2

HG SS

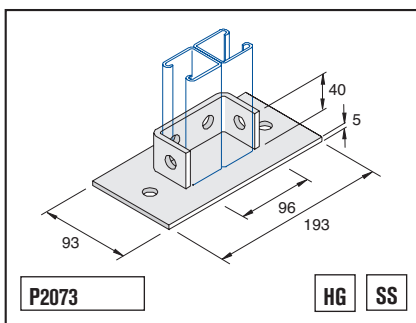
Part No.	Finish		Weight	Pkg
	HG	SS		
P2072-S2	•	•	0.33	10



P2072-S3

HG

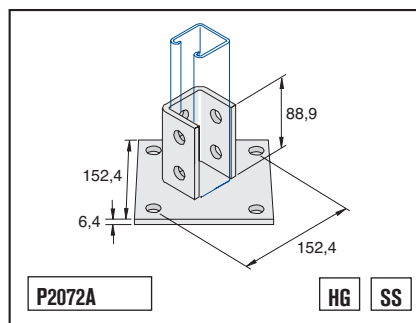
Part No.	Finish		Weight	Pkg
	HG	SS		
P2072-S3	•		0.30	10



P2073

HG SS

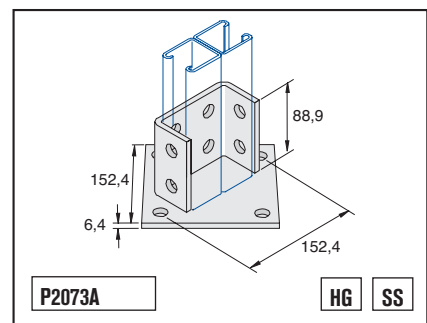
Part No.	Finish		Weight	Pkg
	HG	SS		
P2073	•	•	0.98	10



P2072A

HG SS

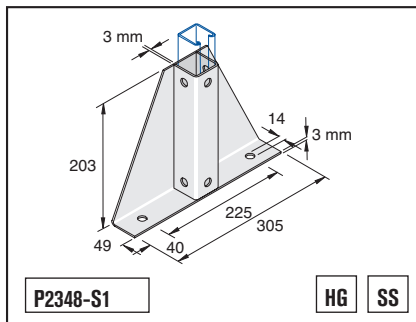
Part No.	Finish		Weight	Pkg
	HG	SS		
P2072A	•	•	1.70	10



P2073A

HG SS

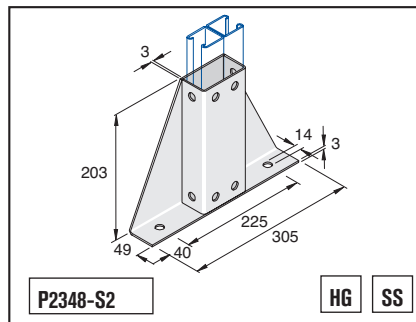
Part No.	Finish		Weight	Pkg
	HG	SS		
P2073A	•	•	1.80	10



P2348-S1

HG SS

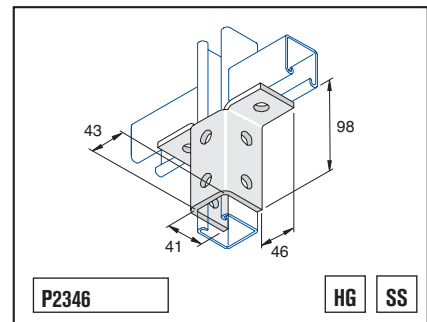
Part No.	Finish		Weight	Pkg
	HG	SS		
P2348-S1	•	•	1.95	1



P2348-S2

HG SS

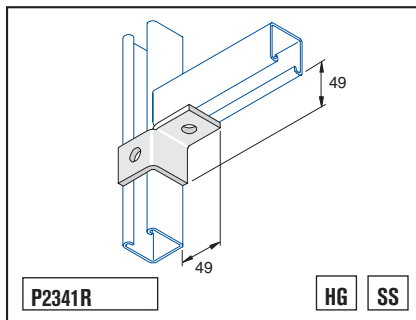
Part No.	Finish		Weight	Pkg
	HG	SS		
P2348-S2	•	•	2.15	1



P2346

HG SS

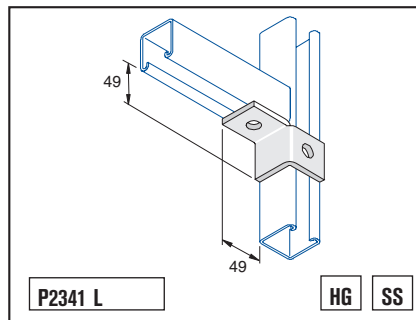
Part No.	Finish		Weight	Pkg
	HG	SS		
P2346	•	•	0.68	10



P2341R

HG SS

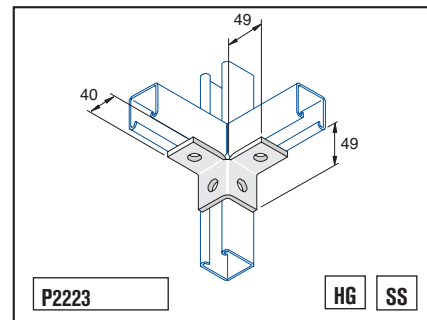
Part No.	Finish		Weight	Pkg
	HG	SS		
P2341R	•	•	0.21	25



P2341 L

HG SS

Part No.	Finish		Weight	Pkg
	HG	SS		
P2341L	•	•	0.21	25



P2223

HG SS

Part No.	Finish		Weight	Pkg
	HG	SS		
P2223	•	•	0.35	25

U & Z Fittings & Channel Couplers

Metal Framing

P4047 **HG** **SS**

Part No.	Finish			
	HG	SS		
P4047	•	•	0.32	25

P1047 **HG** **SS**

Part No.	Finish			
	HG	SS		
P1047	•	•	0.40	25

P1737 **HG** **SS**

Part No.	Finish			
	HG	SS		
P1737	•	•	0.58	10

P1043 **HG** **SS**

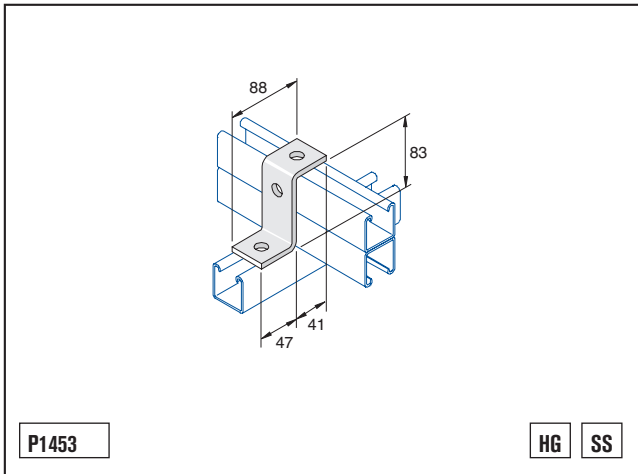
Part No.	Finish			
	HG	SS		
P1043	•	•	0.48	20

P4045 **HG** **SS**

Part No.	Finish			
	HG	SS		
P4045	•	•	0.21	50

P1045 **HG** **SS**

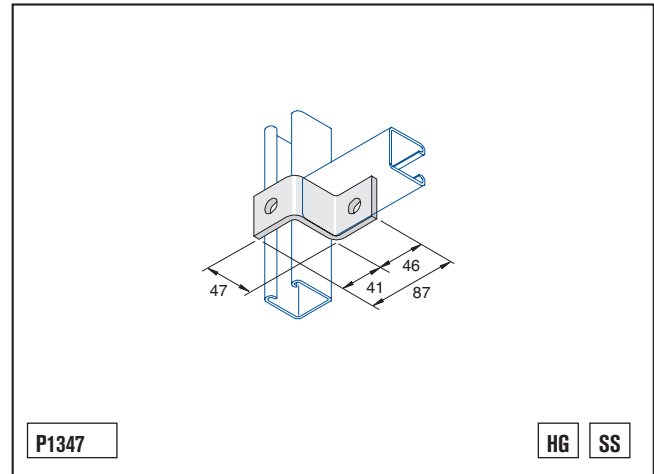
Part No.	Finish			
	HG	SS		
P1045	•	•	0.25	25



P1453

HG SS

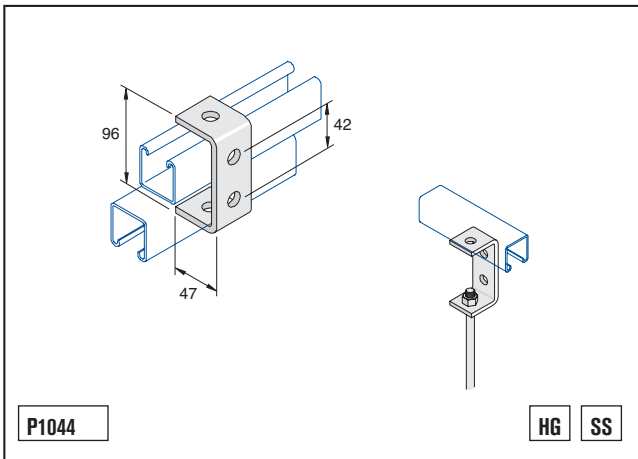
Part No.	Finish			
	HG	SS		
P1453	•	•	0.32	25



P1347

HG SS

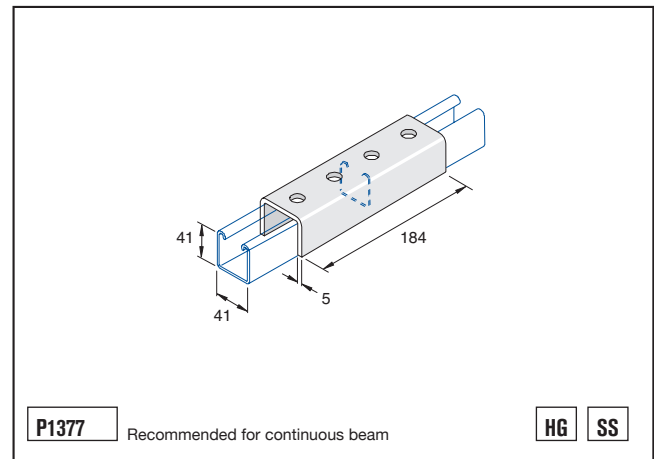
Part No.	Finish			
	HG	SS		
P1347	•	•	0.25	25



P1044

HG SS

Part No.	Finish			
	HG	SS		
P1044	•	•	0.32	25

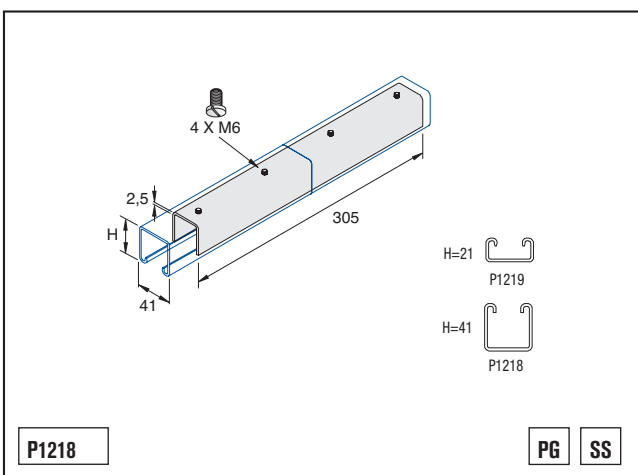


P1377

Recommended for continuous beam

HG SS

Part No.	Finish			
	HG	SS		
P1377	•	•	1.20	10



P1218

PG SS

Part No.	Finish			
	PG	SS		
P1218	•	•	0.56	10

Beam Clamps

Metal Framing

* Used in pair

T= 22Nm
M10

22mm Max.

75

5

3200 N

Loadings are per beam clamp and used in pairs.
Mild steel u bolts are zinc plated.

P2785 - P2787 **HG** **SS**

Part No.	Finish	H (mm)	Hu (mm)	Weight	Quantity
P2785	HG • SS •	21-41	86	0.31	25
P2786	• •	62-83	127	0.35	25
P2787	•	124-164	209	0.43	25

P3087=P3087A + P3087B

A = 400mm Max

Dim A = 23mm

M10 x 40

3087B

5

T = 22 Nm

2.7 kN

2.4 kN

A

Apply load in one direction only.
Mild steel cone pointed screws are zinc plated.

P3087 **HG** **SS**

Part No.	Finish	Weight	Quantity
P3087	HG • SS •	0.67	10

3

85

18

25

12

Z10 **ZP**

Part No.	Finish	Weight	Quantity
Z10	ZP •	0.06	100

T = 20 Nm
M12 x 40

12

14

65

50

2700N

P1983 **HG** **SS**

Part No.	Finish	Weight	Quantity
P1983	HG • SS •	0.39	10

11.5

3

46

P1386-S1 **ZP**

Part No.	Finish	Weight	Quantity
P1386-S1	ZP •		

* Used in pair

13 mm max.

5

52

T = 70 Nm
M12 x 40
(not Incl.)

P1000: 1900 N
P2000: 1900 N

P1386 **HG** **SS**

Part No.	Finish	Weight	Quantity
P1386	HG • SS •	0.042	75

Stated loadings apply to mild steel products only.

* Used in pair

T= 12 Nm
M12 x 40

22 mm max.

10

36

P1000: 3000 N
P2000: 1250 N

P2489 **HG**

Part No.	Finish		
P2489	HG		

* Used in pair

T= 15 Nm
M10 x 40

22 mm max.

45

70

5

90

1450 N

P1796-A **HG** **SS**

Part No.	Finish		
P1796-A	HG	SS	0.39

* Used in pair

T= 15 Nm
M10 x 40

22 mm max.

45

90

5

1450 N

P1796 **HG** **SS**

Part No.	Finish		
P1796	HG	SS	0.39

* Used in pair

T= 15 Nm
M10 x 40

22 mm max.

45

90

131

5

1450 N

P1796-B **HG** **SS**

Part No.	Finish		
P1796-B	HG	SS	0.50

22 mm max.

10

T= 20 Nm
M12 x 40

63 int.

50

P1000: 2250 N

P1271 **HG** **SS**

Part No.	Finish		
P1271	HG	SS	0.043

22 mm max.

5

T= 10 Nm
M10 x 40

25

50

30

1300 N

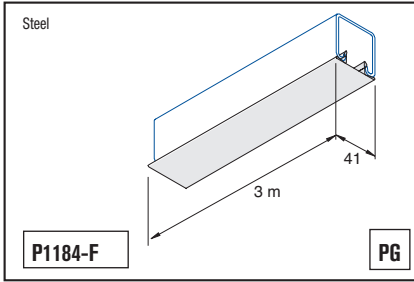
P1272 **HG** **SS**

Part No.	Finish		
P1272	HG	SS	0.13

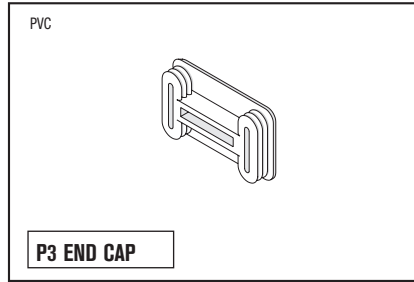
Stated loadings apply to mild steel products only.

Channel Fittings

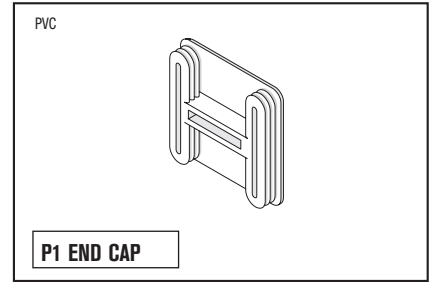
Metal Framing



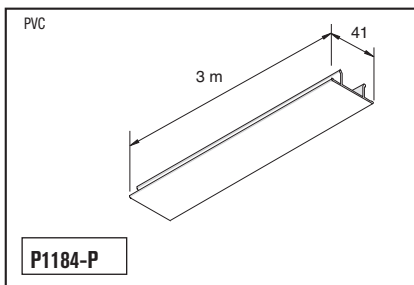
Part No.		
P1184-F	1.07	1



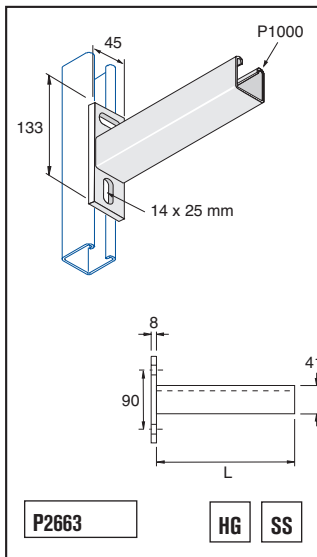
Part No.	Part No.	Part No.			/100	
Blue 139 21 98	White 139 21 96	Black 139 21 97	41x21	0.3		100



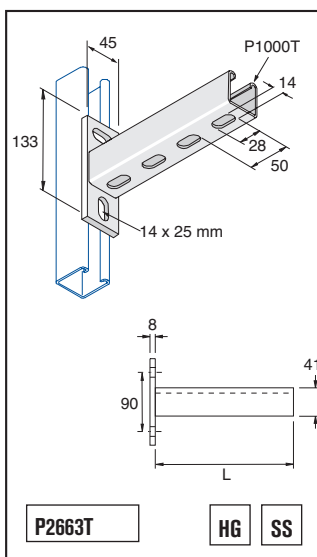
Part No.	Part No.	Part No.			/100	
Blue 139 41 98	White 139 41 96	Black 139 41 97	41x41	0.5		100



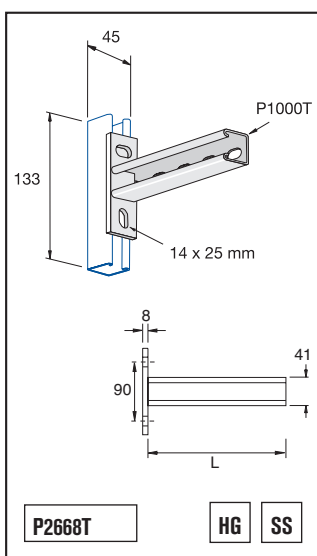
Part No.	Colour		
P1184-PW	White	0.48	1
P1184-PB	Black	0.48	1



Part No.	Finish		L (mm)	Loadings			
	HG	SS		1/2 L	L	1/3 L	1/4 L
P2663/150	•	•	0.77	150	6.20 kN	3.10 kN	2.06 kN
P2663/300	•	•	1.20	300	3.20 kN	1.60 kN	1.06 kN
P2663/450	•	•	1.63	450	2.15 kN	1.07 kN	0.71 kN
P2663/600	•	•	2.07	600	1.62 kN	0.81 kN	0.54 kN
P2663/750	•	•	2.50	750	1.30 kN	0.65 kN	0.43 kN



Part No.	Finish			L (mm)	Loadings			
	HG	SS	ZP		1/2 L	L	1/3 L	1/4 L
P2663T/150	•	•	•	0.75	150	6.12 kN	3.06 kN	2.04 kN
P2663T/300	•	•	•	1.16	300	3.06 kN	1.53 kN	1.02 kN
P2663T/450	•	•	•	1.57	450	2.04 kN	1.02 kN	0.68 kN
P2663T/600	•	•	•	1.98	600	1.53 kN	0.76 kN	0.50 kN
P2663T/750	•	•	•	2.39	750	1.22 kN	0.61 kN	0.40 kN

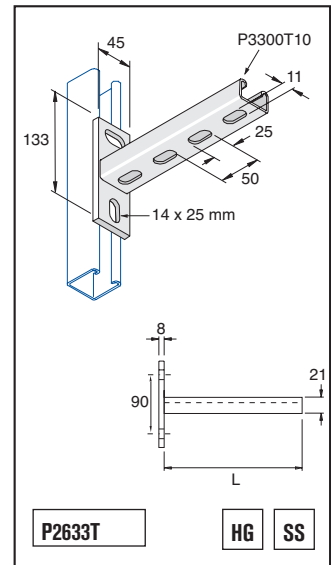


Part No.	Finish		L (mm)	Loadings			
	HG	SS		1/2 L	L	1/3 L	1/4 L
P2668T/150	•	•	0.75	150	6.20 kN	3.10 kN	2.06 kN
P2668T/300	•	•	1.16	300	3.20 kN	1.60 kN	1.06 kN
P2668T/450	•	•	1.57	450	2.15 kN	1.07 kN	0.71 kN
P2668T/600	•	•	1.98	600	1.62 kN	0.81 kN	0.54 kN

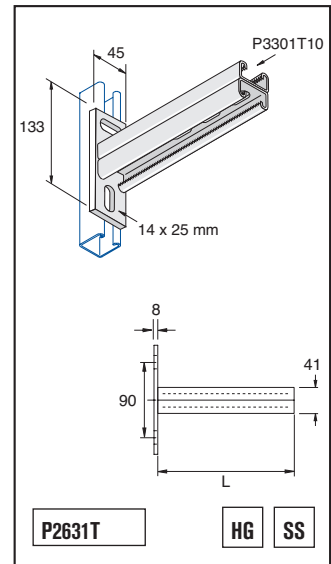
Loadings indicated are only applicable when 2 fixings per cantilever arms are used.
Stated loadings apply to mild steel products only.

Cantilever Arms

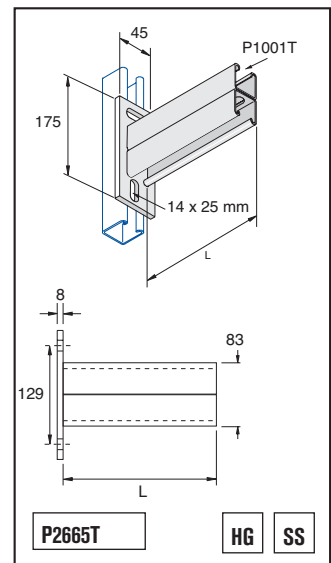
Part No.	Finish		L (mm)	Load Diagrams			
	HG	SS		1/2 L	F1	1/3 L	1/4 L
P2633T/150	•	•	0.60	150	1.94 kN	0.97 kN	0.64 kN
P2633T/300	•	•	0.87	300	1.00 kN	0.50 kN	0.33 kN
P2633T/450	•	•	1.13	450	0.67 kN	0.33 kN	0.22 kN



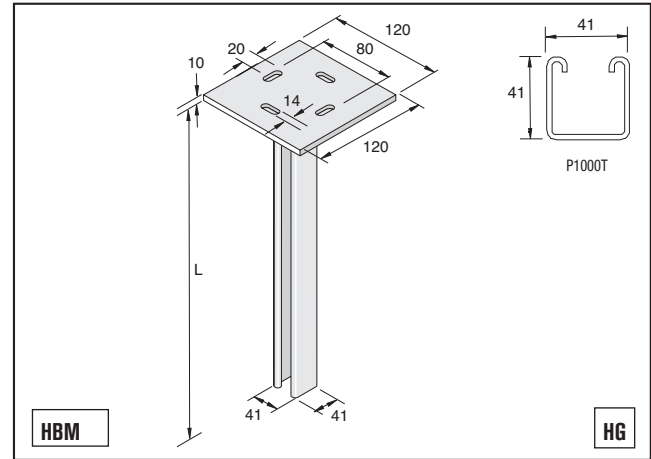
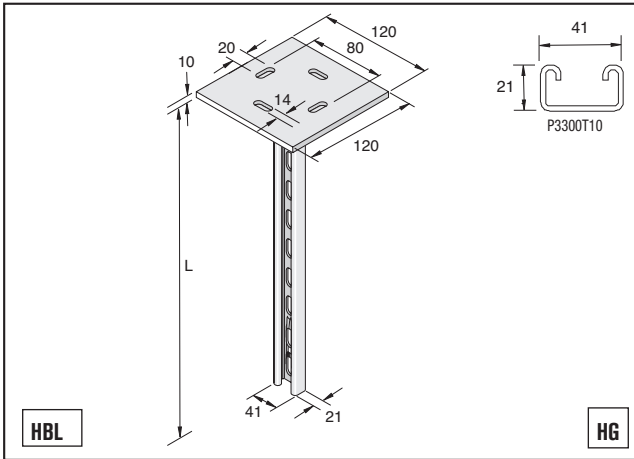
Part No.	Finish		L (mm)	Load Diagrams			
	HG	SS		1/2 L	F1	1/3 L	1/4 L
P2631T/150	•	•	0.87	150	5.95 kN	2.97 kN	1.98 kN
P2631T/300	•	•	1.40	300	3.07 kN	1.53 kN	1.02 kN
P2631T/450	•	•	1.93	450	2.06 kN	1.03 kN	0.68 kN
P2631T/600	•	•	2.46	600	1.56 kN	0.78 kN	0.52 kN
P2631T/750	•	•	2.99	750	1.25 kN	0.62 kN	0.41 kN



Part No.	Finish		L (mm)	Load Diagrams			
	HG	SS		1/2 L	F1	1/3 L	1/4 L
P2665T/150	•	•	1.44	150	8.82 kN	4.41 kN	2.94 kN
P2665T/300	•	•	2.21	300	6.47 kN	3.23 kN	2.15 kN
P2665T/450	•	•	3.09	450	4.31 kN	2.15 kN	1.43 kN
P2665T/600	•	•	3.72	600	3.23 kN	1.61 kN	1.07 kN
P2665T/750	•	•	4.73	750	2.58 kN	1.29 kN	0.86 kN

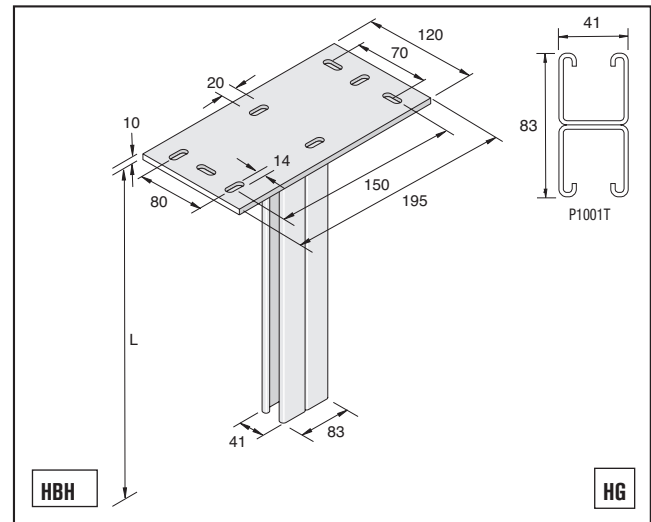
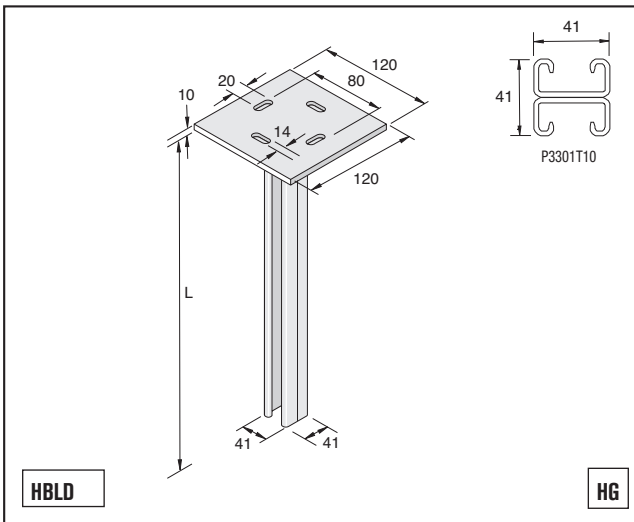


Loadings indicated are only applicable when 2 fixings per cantilever arms are used.
Stated loadings apply to mild steel products only.



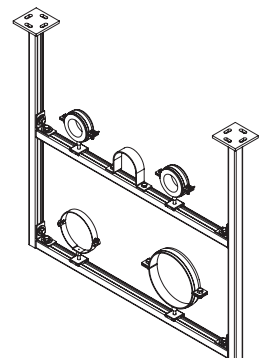
Part No.	Finish	L (mm)	⚖️
HBL/500	• HG	525	2.00
HBL/750	•	775	2.44
HBL/1000	•	1025	2.88
HBL/1250	•	1275	3.32

Part No.	Finish	L (mm)	⚖️
HBM/500	• HG	525	2.51
HBM/750	•	775	3.19
HBM/1000	•	1025	3.88
HBM/1250	•	1275	4.30



Part No.	Finish	L (mm)	⚖️
HBLD/500	• HG	525	2.93
HBLD/750	•	775	3.81
HBLD/1000	•	1025	4.70
HBLD/1250	•	1275	5.58
HBLD/1500	•	1525	6.46
HBLD/2000	•	2025	8.23

Part No.	Finish	L (mm)	⚖️
HBH/500	• HG	525	4.60
HBH/750	•	775	5.97
HBH/1000	•	1025	7.33
HBH/1250	•	1275	8.70
HBH/1500	•	1525	10.07
HBH/2000	•	2025	12.80

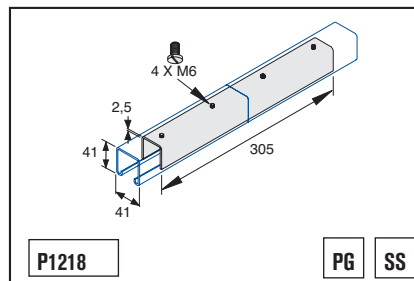
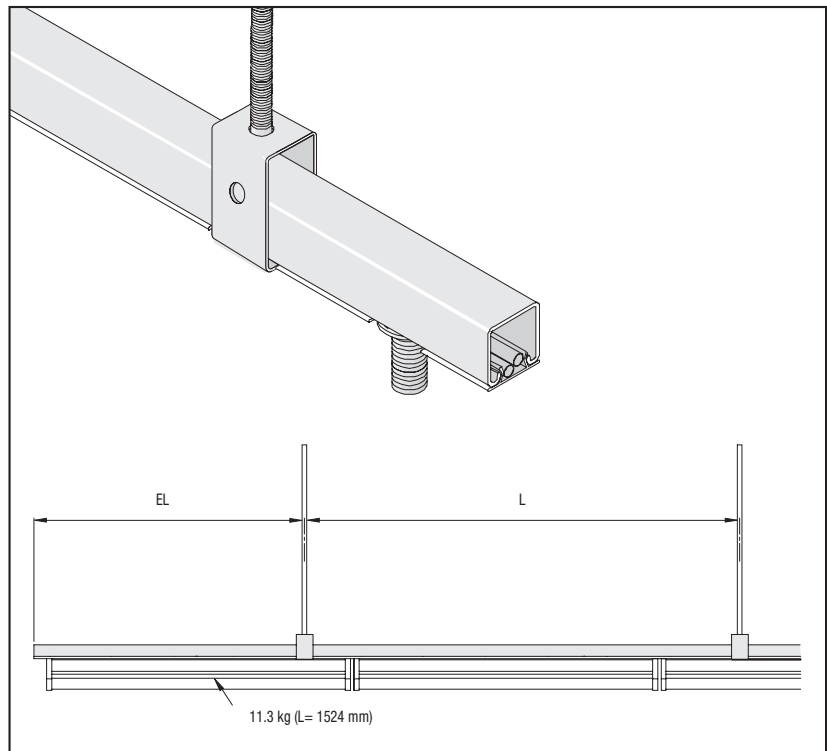


Fluorescent Lighting Supports and Fittings

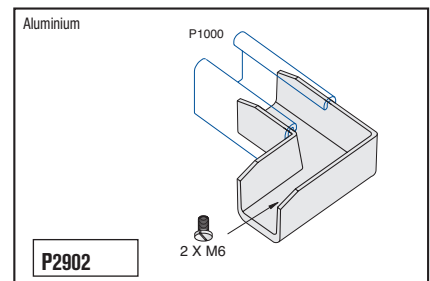
	L m	f mm	EL m
P4000	2.5	8.8	0.6 - 0.8
P3300	2.5	7.1	0.6 - 0.8
P1000	2.5	1.3	0.6 - 0.8
P3301	3	3.6	0.8 - 1.0
P1000	3	2.5	0.8 - 1.0
P3301	3.5	7.0	0.9 - 1.2
P1000	3.5	4.9	0.9 - 1.2
P3301	4	12.3	1.0 - 1.4
P1000	4	8.6	1.0 - 1.4
P1001	4	2.3	1.0 - 1.4
P1000	4.5	13.3	1.2 - 1.5
P1001	4.5	3.5	1.2 - 1.5
P1001	5	5.2	1.4 - 1.7
P1001	6	11.7	1.5 - 1.8

f = Deflection *

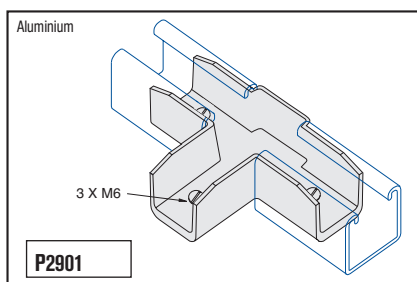
* Deflections are based on continuity of span assuming adequate lateral support and use of fixtures each weighing approximately 11.3Kg and being 1524mm long. Joiner fittings should be positioned at one quarter span between supporting hangers. With fixtures having 600mm spacing results in a deflection of 70 - 80% of above value. 1200mm spacing results in a deflection of 50 - 60% of above value.



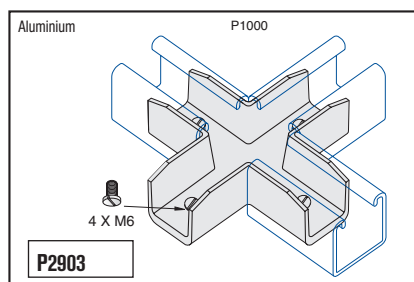
Part No.	PG	Finish	SS	Weight	Quantity
P1218	•	•	•	0.519	15



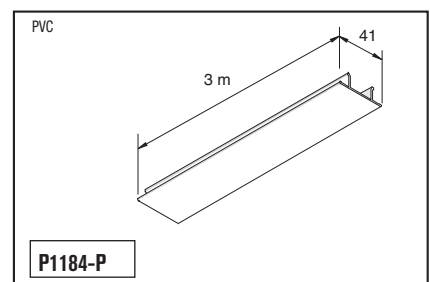
Part No.	Weight	Quantity
P2902	0.405	10



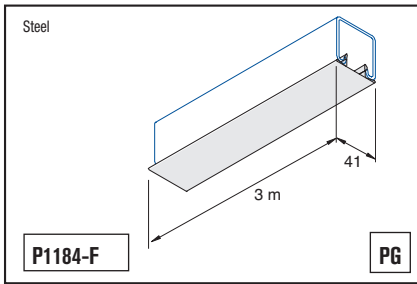
Part No.	Weight	Quantity
P2901	0.16	10



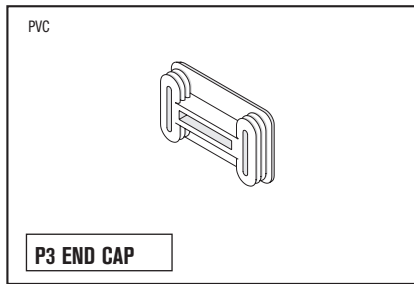
Part No.	Weight	Quantity
P2903	0.20	10



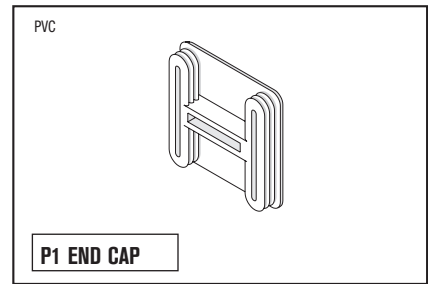
Part No.	Colour	Weight	Quantity
P1184-PW	White	0.48	1
P1184-PB	Black	0.48	1



Part No.		
P1184-F	1.07	1

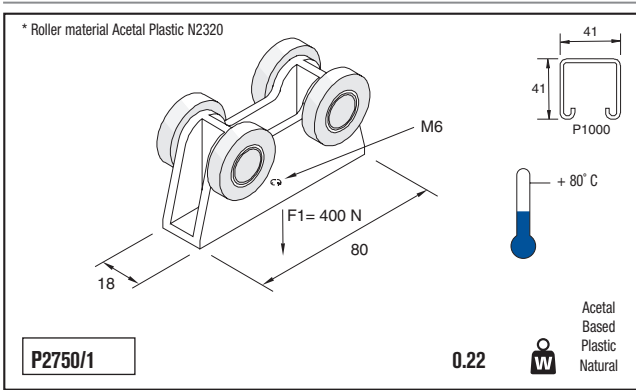


Part No.	Part No.	Part No.			
Blue	White	Black	41x21	/100	0.3
139 21 98	139 21 96	139 21 97			100

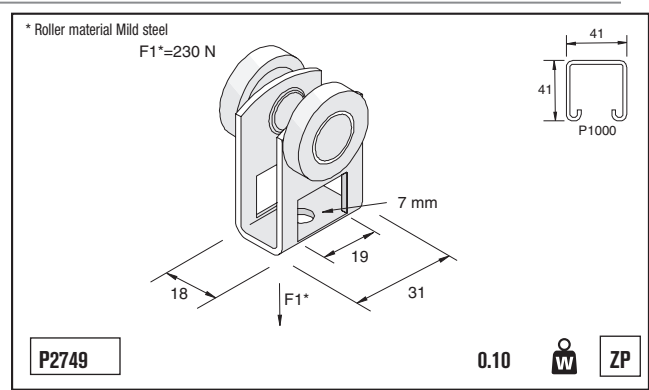


Part No.	Part No.	Part No.			
Blue	White	Black	41x41	/100	0.5
139 41 98	139 41 96	139 41 97			100

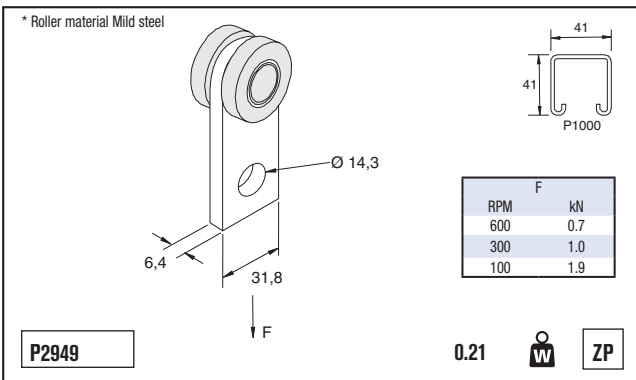
Channel Trolley Assemblies



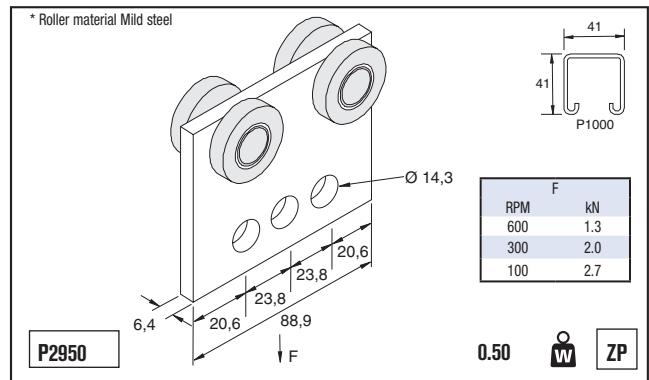
P2750/1	0.22		
----------------	-------------	--	--



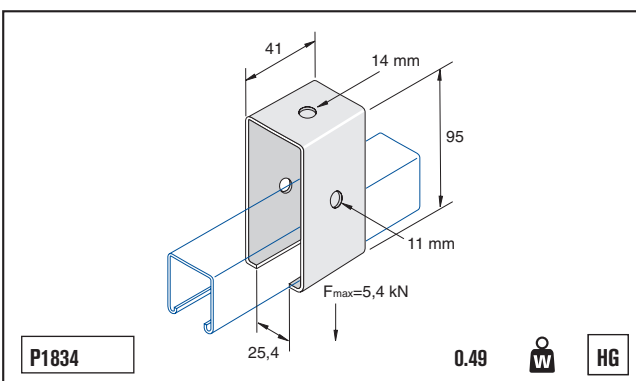
P2749	0.10		
--------------	-------------	--	--



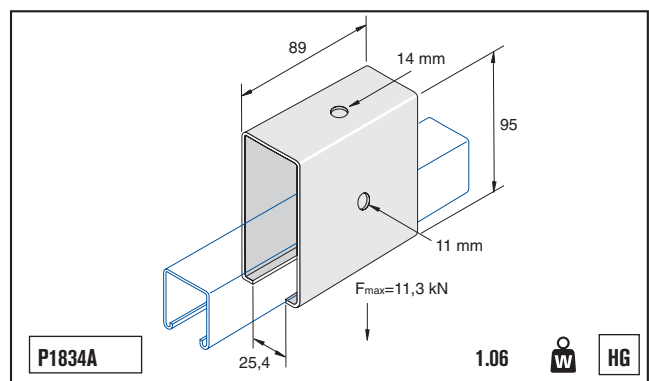
P2949	0.21		
--------------	-------------	--	--



P2950	0.50		
--------------	-------------	--	--

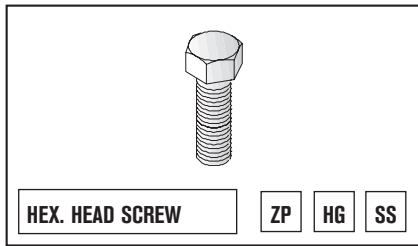


P1834	0.49		
--------------	-------------	--	--

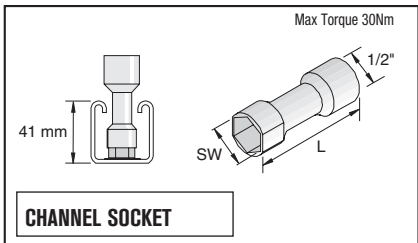


P1834A	1.06		
---------------	-------------	--	--

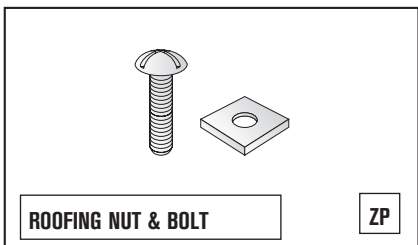
Nuts, Bolts & Washers



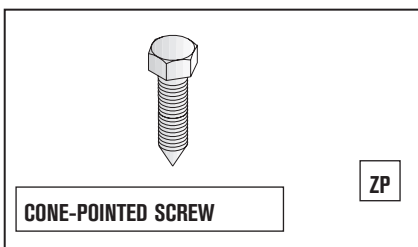
Part No. M6			Part No. M8			Part No. M10			Part No. M12			
ZP	HG	SS	ZP	HG	SS	ZP	HG	SS	ZP	HG	SS	
93356X12	93336X12	93346X12	93358X20	93338X20	93348X20	933510X20	933310X20	933410X20	933512X22	933312X22	933412X22	100
93356X16	93336X16	93346X16	93358X25	93338X25	93348X25	933510X25	933310X25	933410X25	933512X25	933312X25	933412X25	100
93356X20	93336X20	93346X20	93358X30	93338X30	93348X30	933510X30	933310X30	933410X30	933512X30	933312X30	933412X30	100
93356X25	93336X25	93346X25	93358X35	93338X35	93348X35	933510X40	933310X40	933410X40	933512X40	933312X40	933412X40	100
93356X30	93336X30	93346X30	93358X40	93338X40	93348X40	933510X50	933310X50	933410X50	933512X50	933312X50	933412X50	100
93356X35	93336X35	93346X35	93358X45	93338X45	93348X45	933510X60	933310X60	933410X60	933512X60	933312X60	933412X60	100
93356X40	93336X40	93346X40	93358X50	93338X50	93348X50	933510X80	933310X80	933410X80	933512X80	933312X80	933412X80	100
93356X60	93336X60	93346X60	93358X60	93338X60	93348X60	933510X100	933310X100	933410X100	933512X100	933312X100	933412X100	100



Part No.	Part No.
M10	M12
17AF	19AF

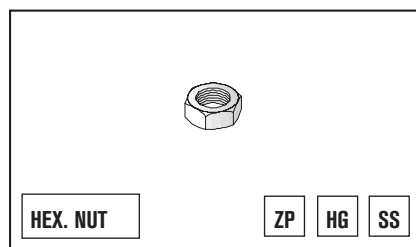


Part No.	Finish	L (mm)	Weight /100	
M6x12RB	•	12	1.0	100
M6x16RB	•	16	1.0	100
M6x20RB	•	20	1.0	100
M6x25RB	•	25	1.0	100
M6x30RB	•	30	1.0	100
M6x40RB	•	40	1.0	100
M6x50RB	•	50	1.0	100
M6x60RB	•	60	1.0	100

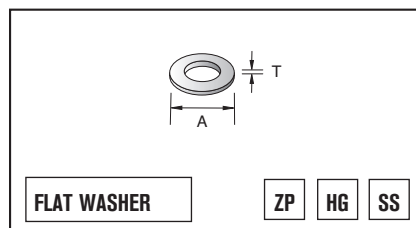


Part No.	Finish	Weight /100	
M10x40CP	•	2.5	100
M12x40CP	•	3.9	100

Metal Framing

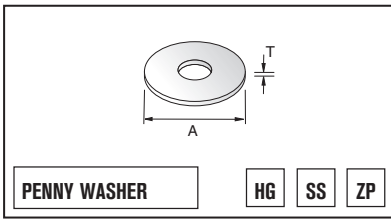


Part No. M6			Part No. M8			Part No. M10			Part No. M12		
ZP	HG	SS	ZP	HG	SS	ZP	HG	SS	ZP	HG	SS
9345M6	9343M6	9344M6	9345M8	9343M8	9344M8	9345M10	9343M10	9344M10	9345M12	9343M12	9344M12

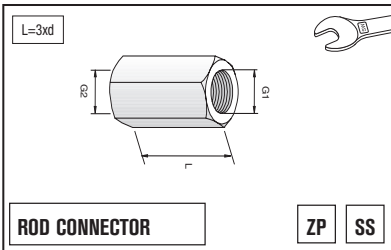


Part No. M6			Part No. M8			Part No. M10			Part No. M12			Part No. M16			
ZP	HG	SS	ZP	HG	SS	ZP	HG	SS	ZP	HG	SS	ZP	HG	SS	
1255M6	1253M6	1254M6	1255M8	1253M8	1254M8	1255M10	1253M10	1254M10	1255M12	1253M12	1254M12	1255M16	1253M16	1254M16	100
(A=12.5mm)			(A=17mm)			(A=21mm)			(A=24mm)			(A=30mm)			
(T=1.6mm)			(T=2.0mm)			(T=2.5mm)			(T=3.0mm)			(T=3.0mm)			

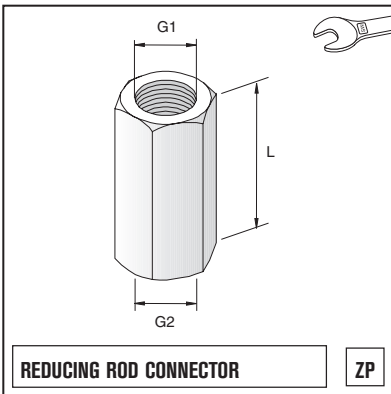
Washers & Threaded Rod Connectors



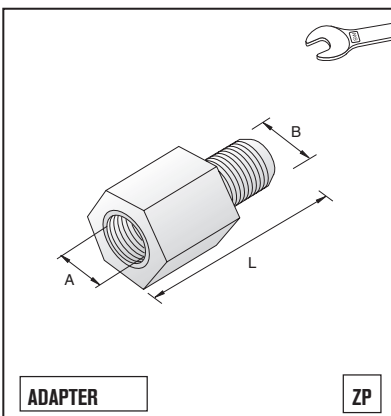
Part No. M6		Part No. M8		Part No. M10		Finish			100
ZP	SS	ZP	SS	ZP	SS	A	T		
•	•	•	•	•	•	25	1.5	100	
•	•	•	•	•	•	32	1.5	100	



Part No. M6		Part No. M8		Part No. M10		Part No. M12		Part No. M16		100				
ZP	SS	ZP	SS	ZP	SS	ZP	SS	ZP	SS					
63345M6	63343M6	63344M6	63345M8	63343M8	63344M8	63345M10	63343M10	63344M10	63345M12	63343M12	63344M12	63345M16	63343M16	63344M16



Part No.	Finish ZP	G1	G2	SW mm	L mm	50
SPM8M10	•	M8	M10	13	30	50
SPM10M12	•	M10	M12	17	30	50



Part No.	Finish ZP	A	B	SW mm	L mm	50
310810	•	M8	M10	13	21	50
310812	•	M8	M12	13	23	50
311008	•	M10	M8	13	23	50
311012	•	M10	M12	13	23	50
311016	•	M10	M16	19	32	50
311208	•	M12	M8	17	23	50
311210	•	M12	M10	17	25	50
311216	•	M12	M16	19	32	50
311610	•	M16	M10	24	32	50
311612	•	M16	M12	24	32	50

Part No. M6	Part No. M8	Part No. M10	Part No. M12	Part No. M16	ZP	Finish SS	HG
M6x1M	M8x1M	M10x1M	M12x1M	M16x1M	•	•	•
M6x2M	M8x2M	M10x2M	M12x2M	M16x2M	•	•	•
M6x3M	M8x3M	M10x3M	M12x3M	M16x3M	•	•	•

Grade 4.6

L=1, 2 & 3 M [ZP,SS]
L=1 M [HG]

STUDDING **ZP** **SS** **HG**

Non Drill Anchors

EAW **ZP**

F M **VdS**

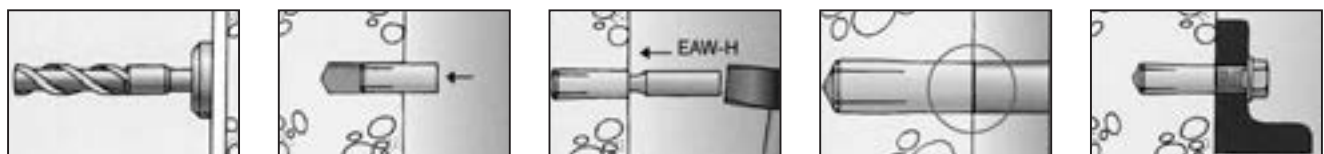
EA **ZP** **SS**

Part No. EAWH6	Part No. EAM6
EAWH8	EAM8
EAWH8x40	EAM8x40
EAWH10	EAM10
EAWH12	EAM12
EAWH16	EAM16
EAWH20	EAM20

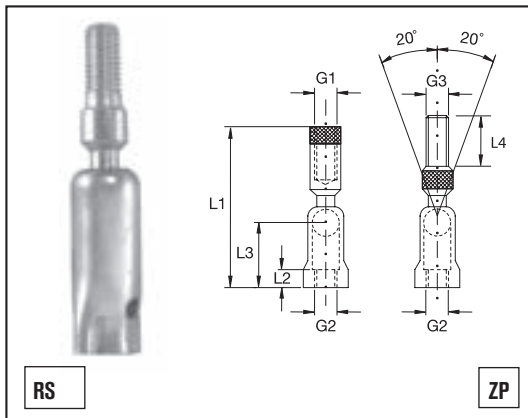
Part No.	Finish ZP	Class	D mm	L mm	ϕ mm	G	e (mm)			Approval:
							min	max		
EAM6	•	-	8	25	8	M6	6	11	100	
EAM8	•	1.8kN*	10	30	10	M8	8	13	100	VdS
EAM8x40	•	3kN*	10	40	10	M8	8	13	50	VdS FM
EAM10	•	3.6kN*	12	40	12	M10	10	17	50	VdS FM
EAM12	•	5.7kN*	15	50	15	M12	12	18	25	VdS FM
EAM16	•	7.4kN*	20	65	20	M16	16	21	20	VdS FM
EAM20	•	11.3kN*	25	80	25	M20	20	30	10	VdS FM

Part No.	Finish SS	Class	D mm	L mm	ϕ mm	G	e (mm)			Approval:
							min	max		
EAM6	•	-	8	25	8	M6	6	11	100	
EAM8	•	-	10	30	10	M8	8	13	100	
EAM10	•	3.0kN*	12	40	12	M10	10	17	50	VdS FM
EAM12	•	3.6kN*	15	50	15	M12	12	18	25	FM
EAM16	•	5.7kN*	20	65	20	M16	16	21	20	FM

* Loading data is applicable for concrete pressure zone only (B=25 N/mm²)



Rod Swivel

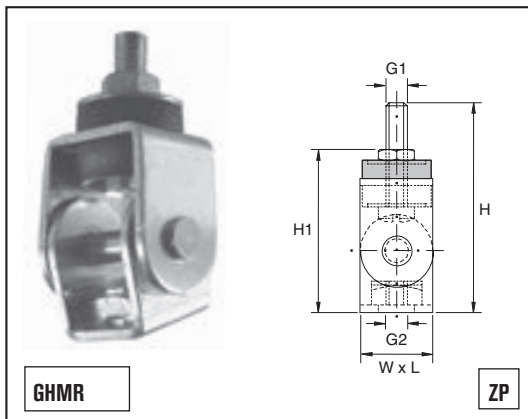


RS

ZP

Part No.	Finish	G1	G2	G3	L1 mm	L2 mm	L3 mm	L4 mm	Fmax N	Weight	Box
124 08 03	• ZP		M8	M8	74	8	30	15	2500	.03	100
124 10 03	•		M10	M10	74	8	30	15	2500	.04	100
124 12 03	•	M12	M12		96	15	53		5000	.15	100
66 42 008	•		M8	M8	49	10	20	15	3100	.03	50
66 42 010	•		M10	M10	49	13	23	15	3100	.03	50

Adjustable Angle Fitting with Sound Insulation



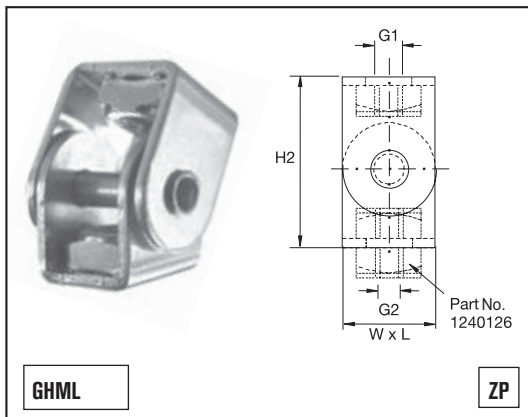
GHMR

ZP

Part No.	Finish	G1	G2	H2 mm	W x L mm	H1 mm	H mm	Fmax kN	Weight	Box
124 08 86	• ZP	M8	M8	45	36 x 25	60	70	5.7	.13	100
124 81 06	•	M8	M10	45	36 x 25	60	70	5.7	.13	100



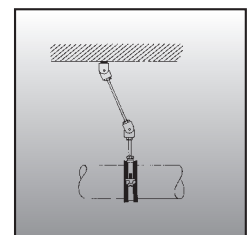
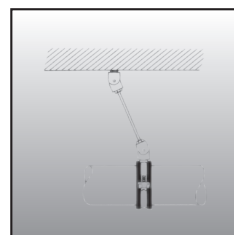
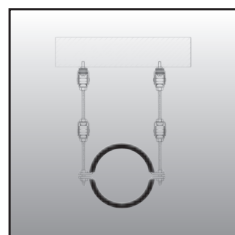
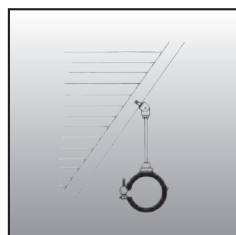
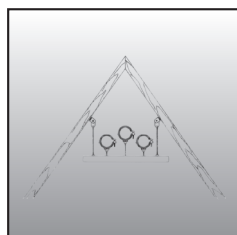
Sound insulation value on average 22 dB (A)

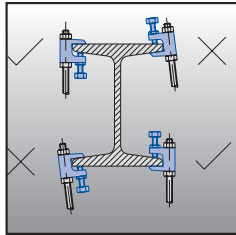
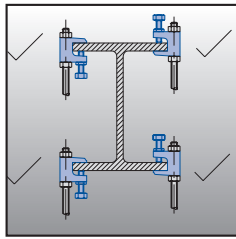


GHML

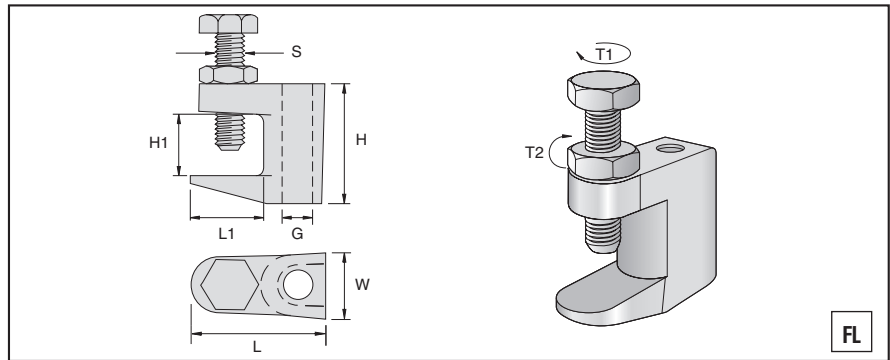
ZP

Part No.	Finish	G1	G2	H2 mm	W x L mm	Fmax(kN)			Weight	Box
	ZP					90°	135°	180°		
124 00 86	•	M8	M8	45	36 x 25	3.5	4.5	5.5	.11	100
124 01 06	•	M10	M10	45	36 x 25	3.5	4.5	5.5	.11	100
124 01 26	•	M12	M12	64	36 x 25	3.5	4.5	5.5	.12	100



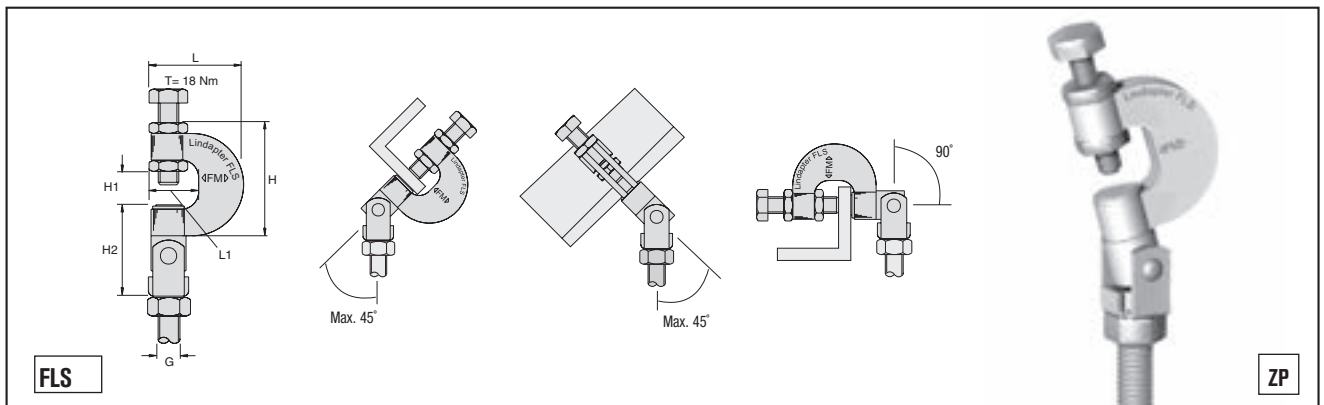


✓ = good
✗ = wrong

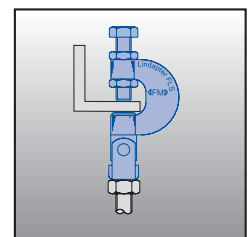
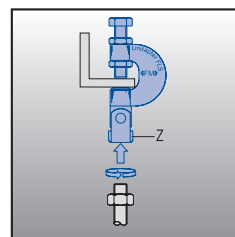
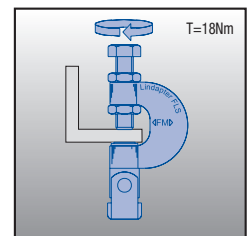
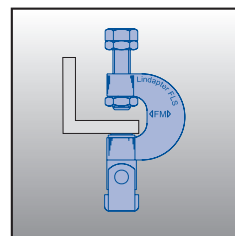
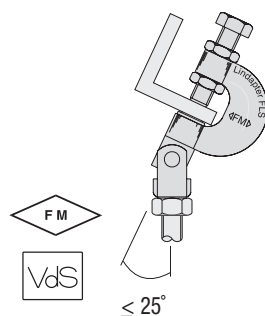
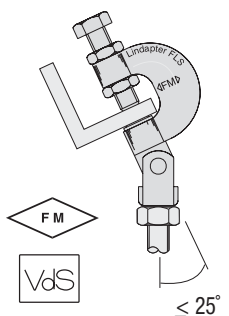
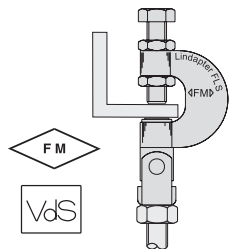
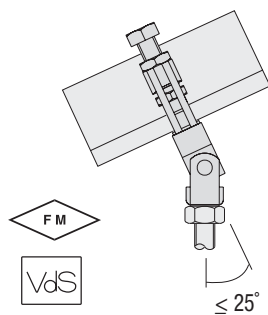


Part No.	Finish	Fmax kN	T1 Nm	T2 Nm	L mm	H mm	W mm	H1 mm	L1 mm	G mm	S mm	Approval:
FL16T	• ZP	1.1	8	11	36	35	19	17	20	M6	8	50
FL18D	•	1.1	8	11	36	35	19	17	20	9	8	50
FL18T	•	1.1	8	11	36	35	19	17	20	M8	8	50
FL201D	•	2.4	8	22	45	40	22	19	22	11	10	50 FM
FL201T	•	2.4	8	22	45	40	22	19	22	M10	10	50 FM
F312D	•	3.1	8	22	50	46	25	23	28	13	10	25 FM
F312T	•	3.1	8	22	50	46	25	23	28	M12	10	25 FM

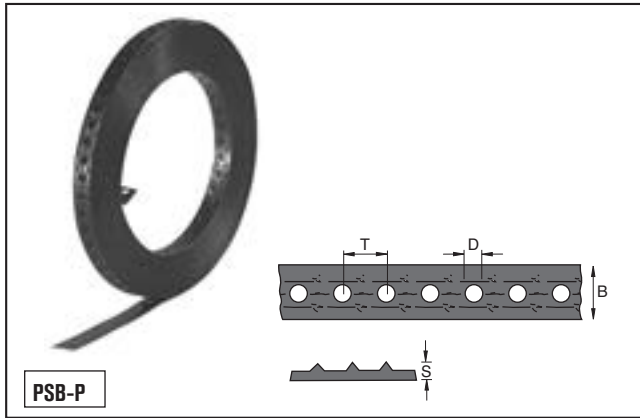
Articulated Beam Clamps



Part No.	Finish	G	Fmax <25° kN	Fmax >25° kN	T Nm	H2 mm	L mm	H mm	H1 mm	L1 mm	Approval:
FLS08	• ZP	M8	2.5	1.5	18	55	53	58	17	27	VdS
FLS10	•	M10	2.5	1.5	18	55	53	58	17	27	VdS FM

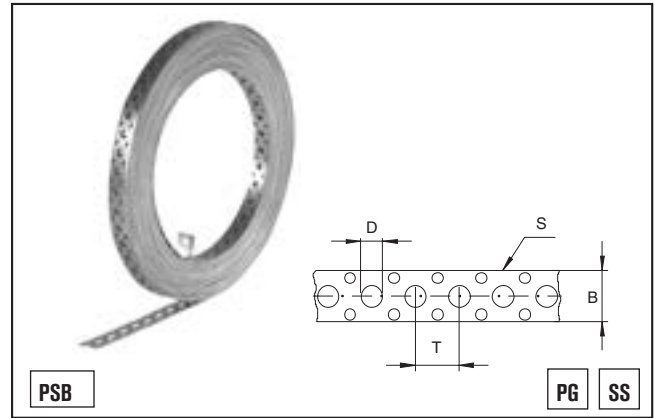


Perforated Steel Band, Plastic Coated



Part No.	B mm	D mm	T mm	S mm	F N	m/	kg	boxes
154 19 02	19	6.2	15	2.2	850	10	1.05	20
154 27 02	27	8.2	25	3.0	1500	10	1.99	16

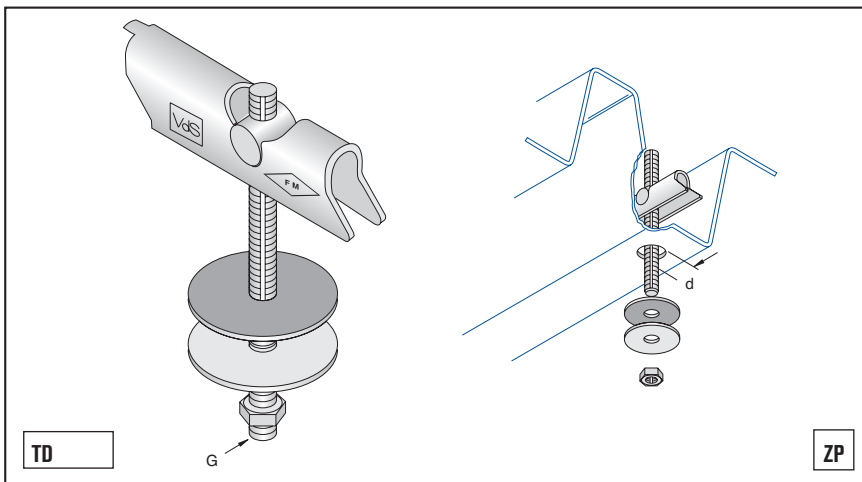
Perforated Steel Band



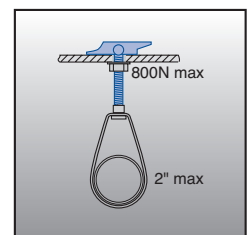
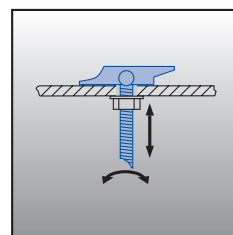
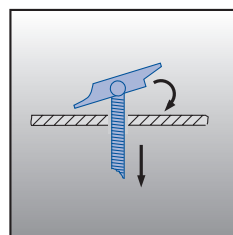
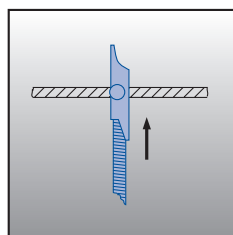
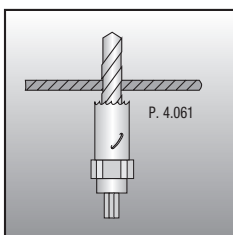
Part No.	Finish		B mm	D mm	T mm	S mm	F N	m/	kg	boxes
	PG	SS								
155 17 02	•		17	6.5	15	0.8	850	25	2.25	8
155 25 02	•		25	8.5	25	1.0	1500	10	1.66	16
135 17 02		•	17	6.5	15	0.8	850	10	0.60	10

Finish [SS]: stainless steel DIN 14016; ASTM 430; BS 430S17

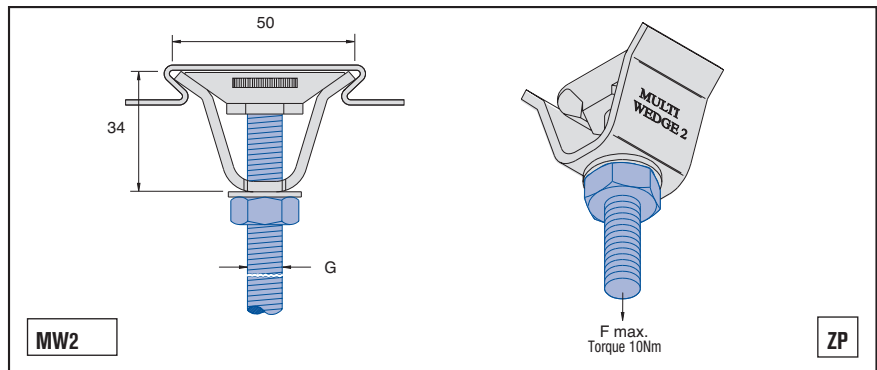
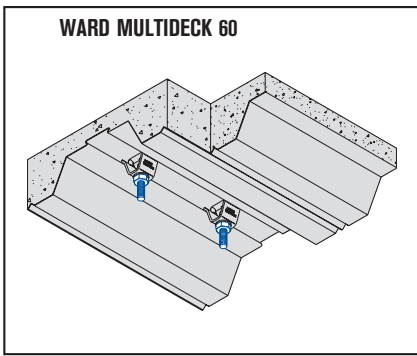
Toggle Clamp for Hollow Ceilings



Part No.	G mm	Finish	d mm	kg	boxes	Approval
TDM6x85	M6x85	•	15	0.05	100	-
TDM8x100	M8x100	•	22	0.11	100	VdS
TDM8x200	M8x200	•	22	0.14	100	VdS
TDM8x300	M8x300	•	22	0.16	50	VdS
TDM8x500	M8x500	•	22	0.24	50	VdS
TDM10x100	M10x100	•	25	0.13	50	VdS FM
TDM10x200	M10x200	•	25	0.18	50	VdS FM

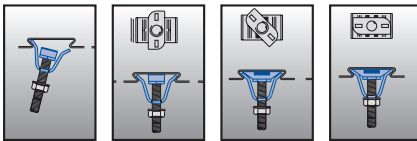


WARD MULTIDECK 60



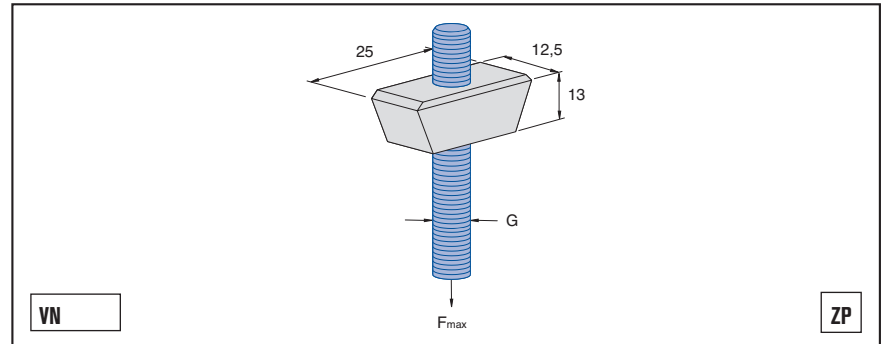
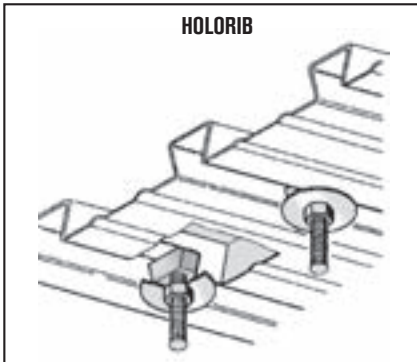
MW2

ZP



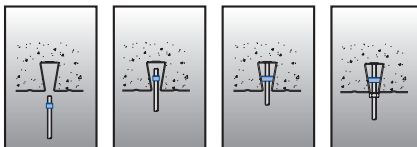
Part No.	Finish ZP	G	Fmax kN		
MW06	•	M6	1.47	0.10	50
MW08	•	M8	1.47	0.10	50
MW10	•	M10	1.47	0.10	50

HOLORIB



VN

ZP

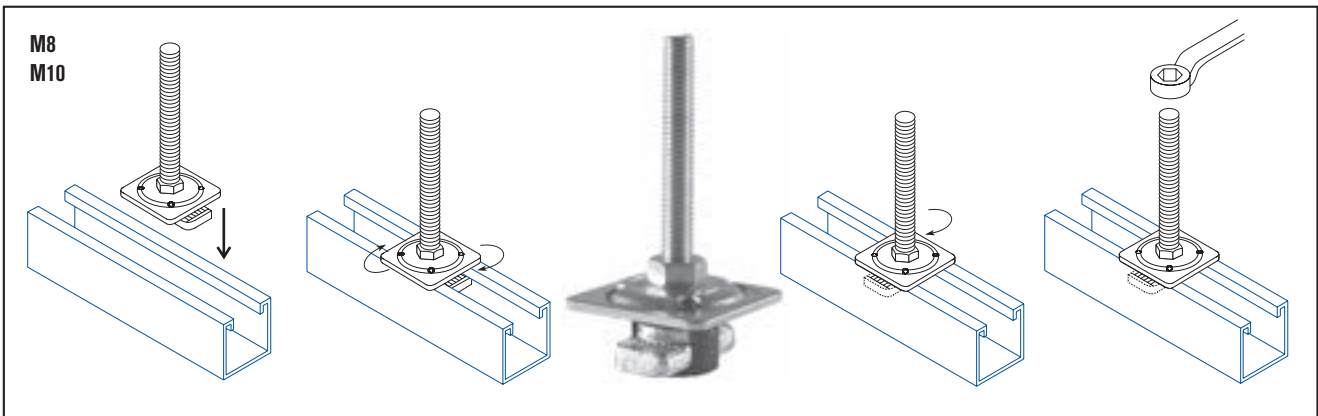
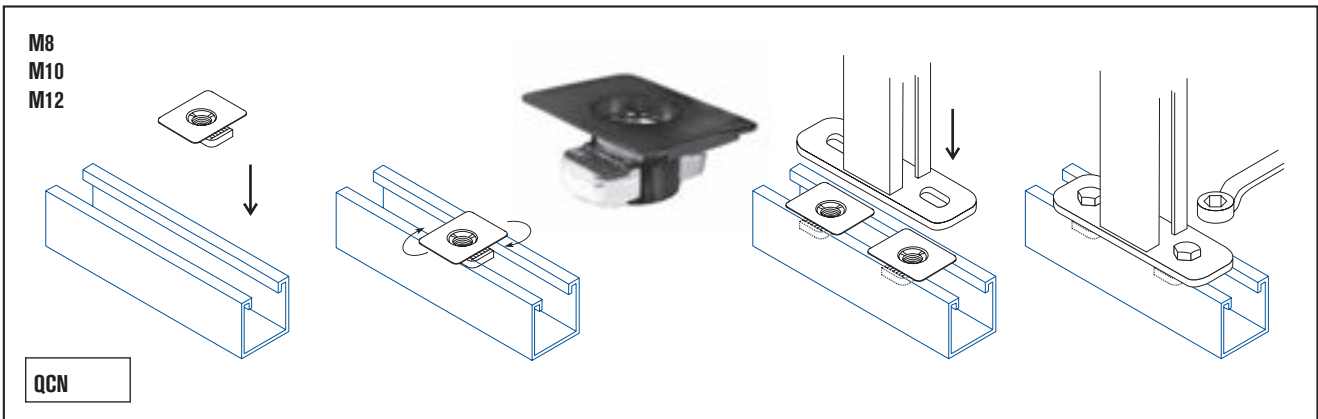
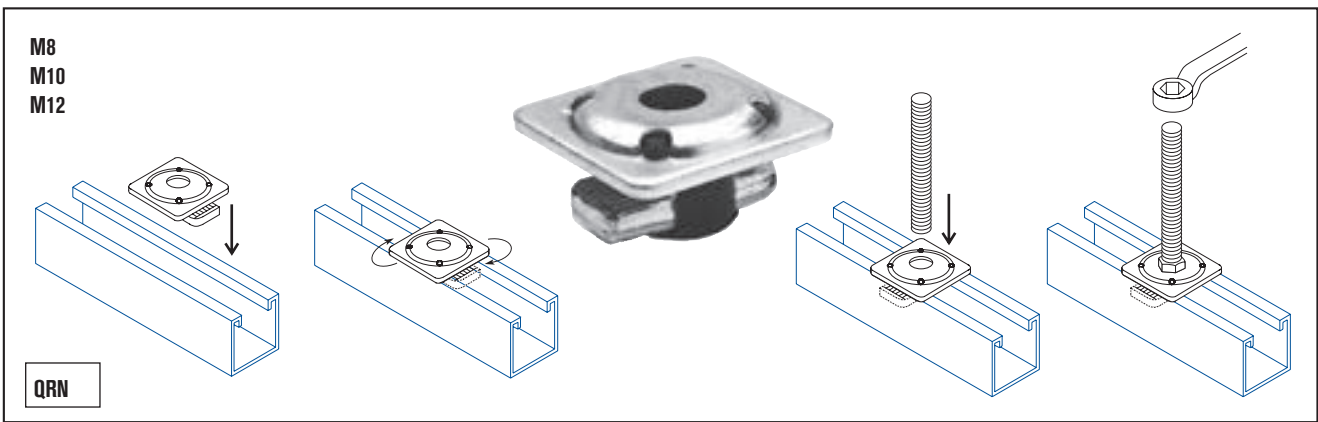
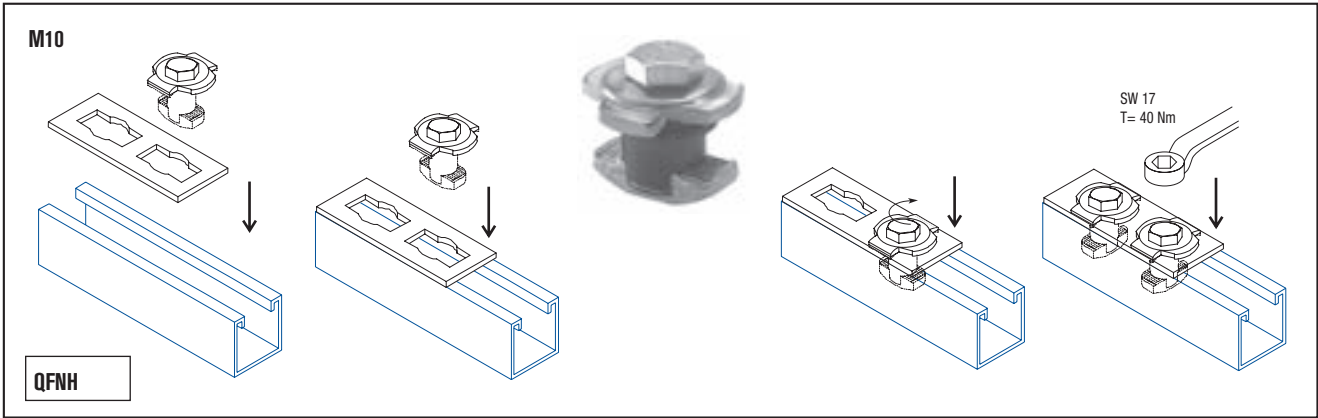


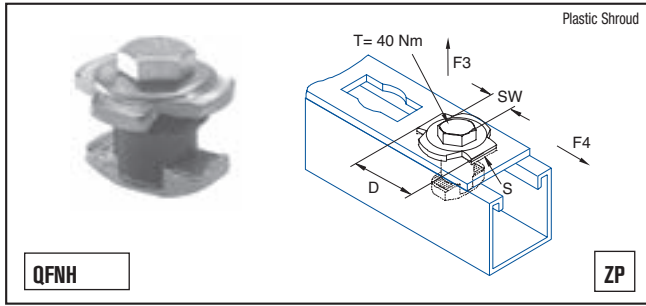
Part No.	Finish ZP	G	Fmax kN		
VN04	•	M4	0.86	0.02	500
VN05	•	M5	1.4	0.02	500
VN06	•	M6	1.8	0.02	500
VN08	•	M8	2.0	0.02	500
VN10	•	M10	2.1	0.02	500

Loads quoted are subject to the strength of the supporting decking. Suitable for decking with a 15° tapered slot.

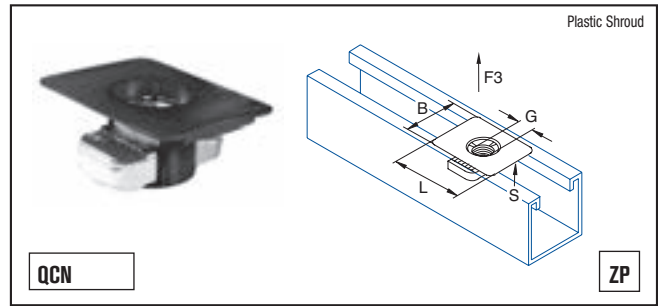
Installation Example

Metal Framing

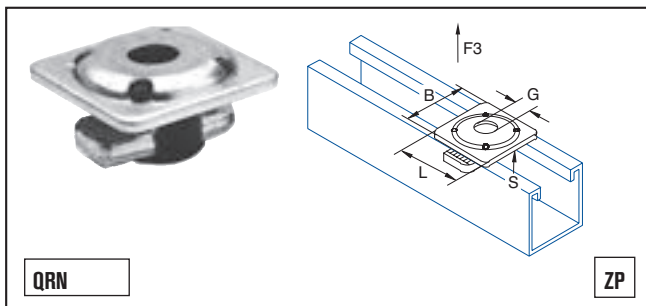




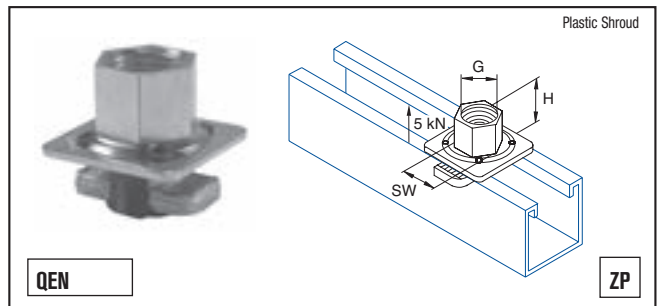
Part No.	G	D	SW	S	T	F3	F4		
ZP		mm	mm	mm	Nm	kN	kN		
1391011	M10	40	17	4	40	5	2.5	0.08	50



Part No.	G	L	B	S	F3		
ZP		mm	mm	mm	kN		
139 06 31	M6	45	34	0.8	5	0.04	50
139 08 31	M8	45	34	0.8	5	0.03	50
139 10 31	M10	45	34	0.8	5	0.03	50
139 12 31	M12	45	34	0.8	5	0.03	50



Part No.	G	L	B	S	F3		
ZP		mm	mm	mm	kN		
139 08 21	M8	40	40	2.5	5	0.060	50
139 10 21	M10	40	40	2.5	5	0.058	50
139 12 21	M12	40	40	2.5	5	0.055	50



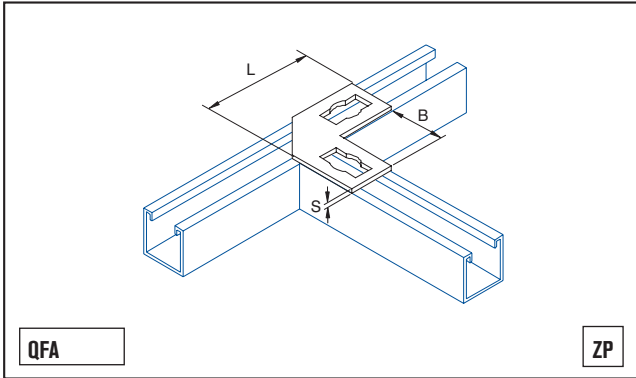
Part No.	G	H	SW	F3		
ZP		mm	mm	kN		
139 16 21	M16	26	22	5	0.10	50
139 22 26	1/2"	26	27	5	0.12	50

KWIKSTRUT FITTINGS

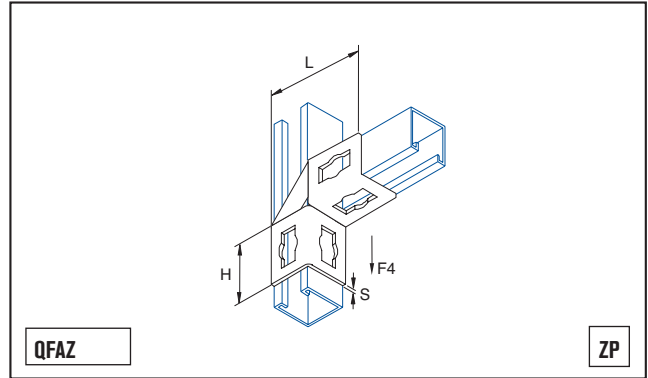
1 & 1
1 & 2
2 & 2

Available in multiple configurations

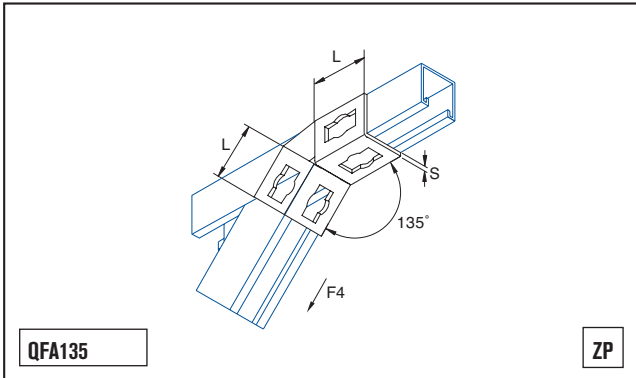
Angle Fittings



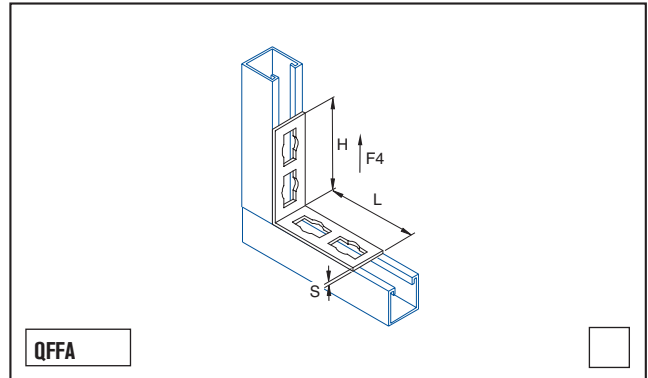
Part No.		B	L	S		
ZP		mm	mm	mm		
139 01 25	1 & 1	52	92	4	0.13	25



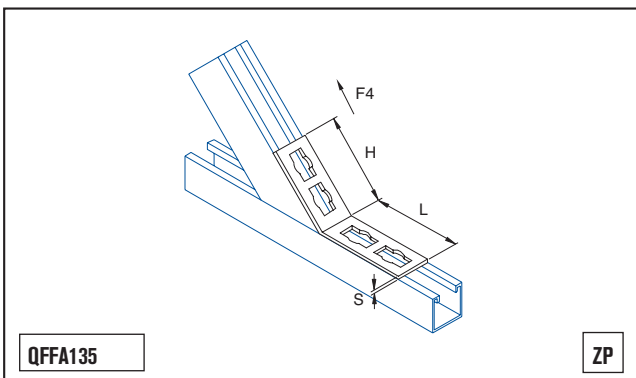
Part No.		H	L	S	F4		
ZP		mm	mm	mm	kN		
139 90 55	2 & 2	58	103	4	2	0.24	10
139 90 65	4 & 4	106	150	4	3	0.42	10



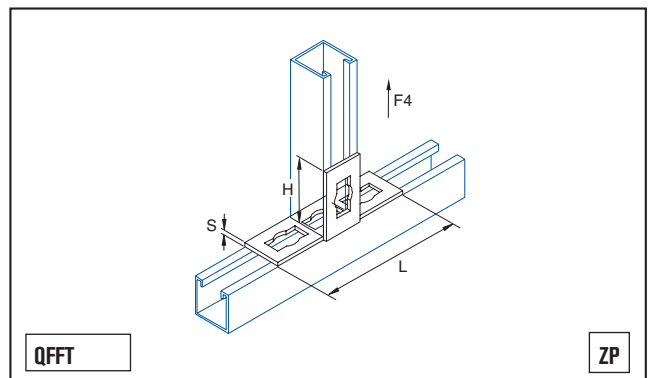
Part No.		L	S	F4		
ZP		mm	mm	kN		
139 35 55	2 & 2	56	4	2	0.25	10
139 35 65	4 & 4	103	4	3	0.39	10



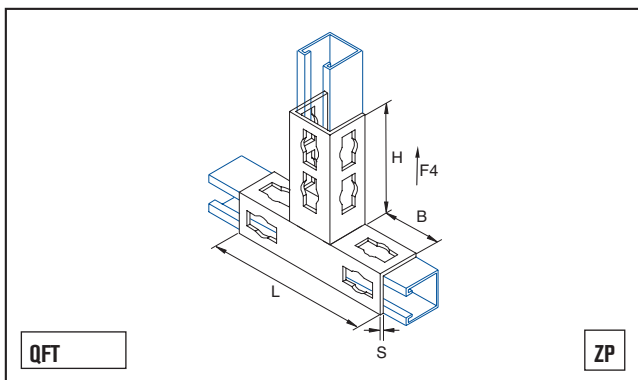
Part No.		H	L	S	F4		
ZP		mm	mm	mm	kN		
139 90 25	1 & 1	65	65	4	2	0.11	25
139 90 35	1 & 2	110	65	4	2	0.15	25
139 90 45	2 & 2	110	110	4	3	0.18	25



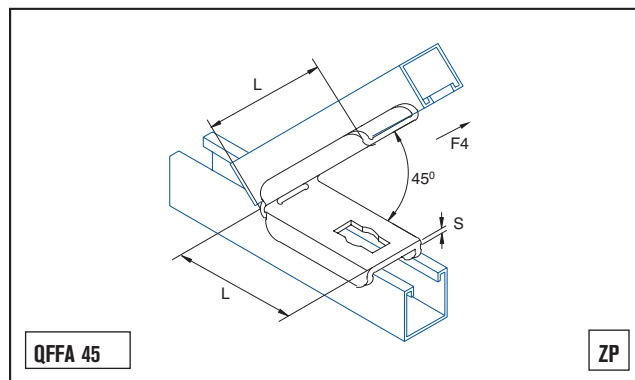
Part No.		H	L	S	F4		
ZP		mm	mm	mm	kN		
139 35 35	1 & 2	110	65	4	2	0.14	25
139 35 45	2 & 2	110	110	4	3	0.18	25



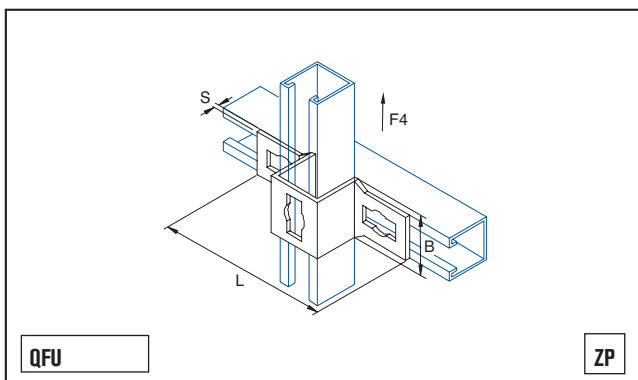
Part No.		H	L	S	F4		
ZP		mm	mm	mm	kN		
139 01 15	1 & 3	66	150	4	2	0.19	25



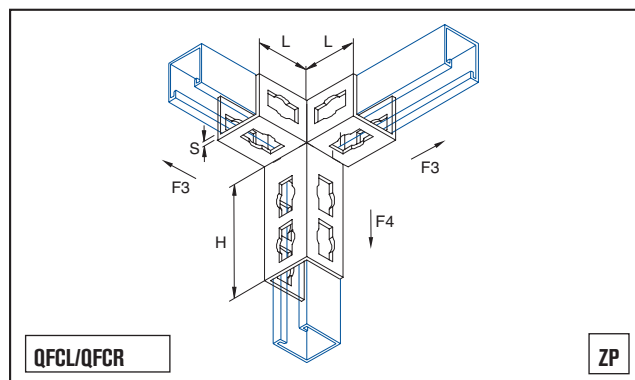
Part No.		H	L	B	S	F4		
ZP		mm	mm	mm	mm	kN		
139 41 18	6 & 4	108	175	63	4	3	0.69	25



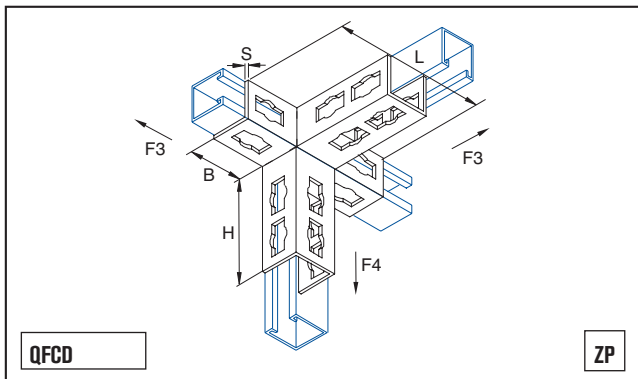
Part No.		L	S	F4		
HG		mm	mm	kN		
139 45 25	1 & 1	104	5	2	0.46	25



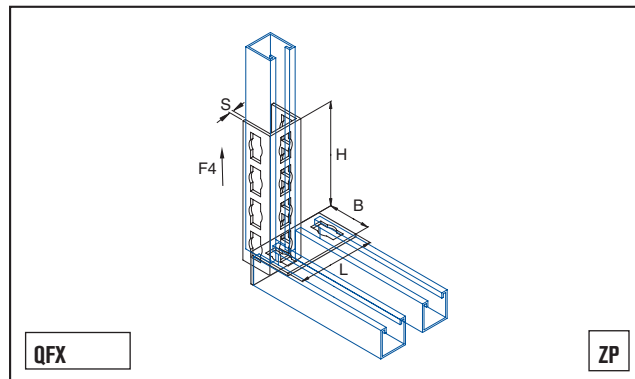
Part No.		L	B	S	F4		
ZP		mm	mm	mm	kN		
139 41 38	2 & 1	162	52	4	2	0.29	25



Part No.		H	L	S	F3	F4			
ZP		mm	mm	mm	kN	kN			
139 41 11	left	6 & 3 & 3	107	62	4	2	3	0.66	10
139 41 12	right	6 & 3 & 3	107	62	4	2	3	0.66	10

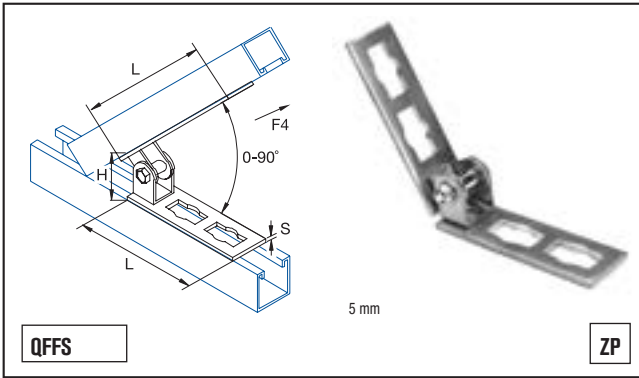


Part No.		L	B	H	S	F3	F4		
ZP		mm	mm	mm	mm	kN	kN		
139 41 78	6 & 3 & 4	175	62	108	4	2	3	1.10	10

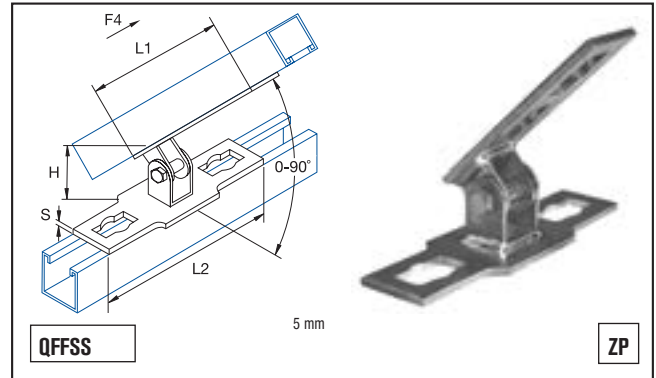


Part No.		L	B	H	S	F4		
ZP		mm	mm	mm	mm	kN		
139 13 92	11 & 1 & 1	107	60	150	4	4	1.10	10

Adjustable Angle Fittings

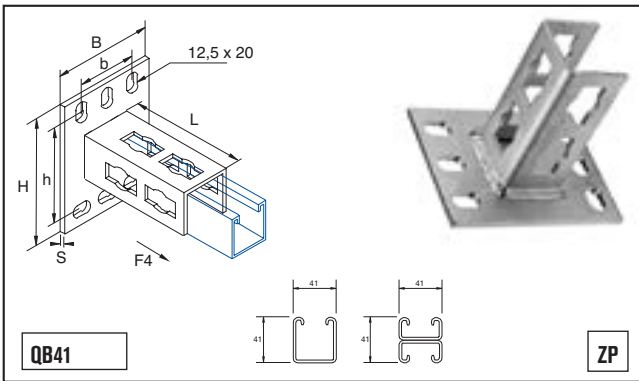


Part No.	ZP	H mm	L mm	S mm	F4 kN	Weight	Box Qty
139 01 85	2 & 2	55	122	5	3	0.45	10

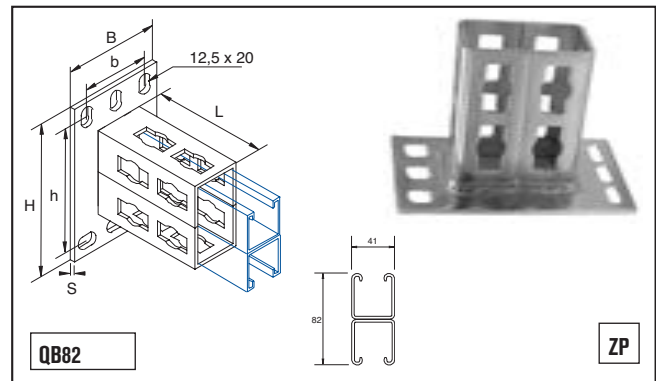


Part No.	ZP	H mm	L1 mm	L2 mm	S mm	F4 kN	Weight	Box Qty
139 01 95	2 & 2	55	122	176	5	3	0.51	10

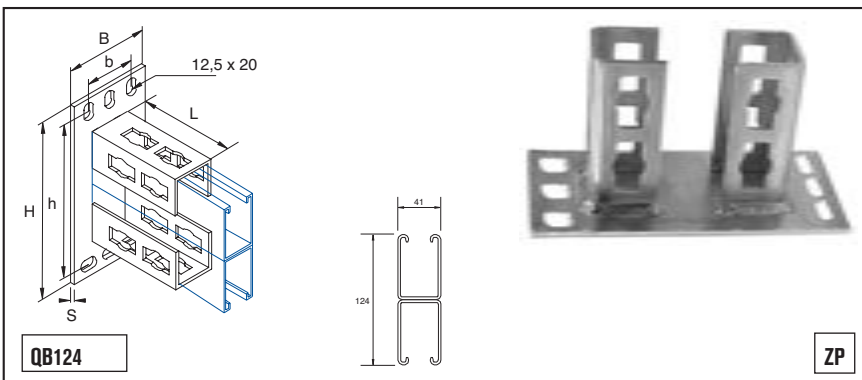
Chanel Base Fittings



Part No.	ZP	F4 N	b mm	h mm	H mm	B mm	L mm	S mm	Weight	Box Qty
139 41 58	6	3000	62	100	130	100	108	5	0.75	10

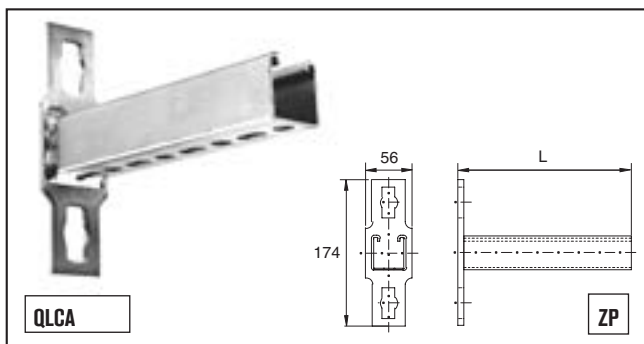


Part No.	ZP	b mm	h mm	H mm	B mm	L mm	S mm	Weight	Box Qty
139 44 58	6 & 6	62	140	170	130	108	8	1.91	5

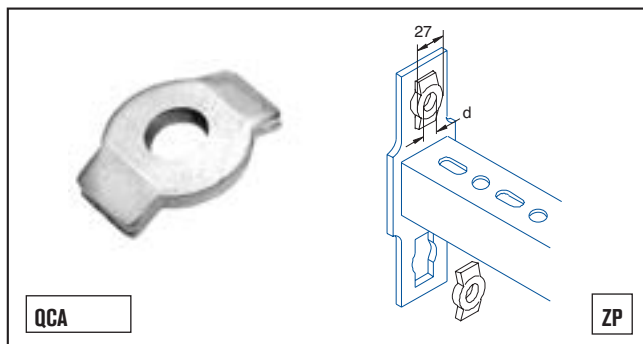


Part No.	ZP	b mm	h mm	H mm	B mm	L mm	S mm	Weight	Box Qty
139 66 58	6 & 6	62	180	210	130	108	8	2.24	5

Cantilever Arms

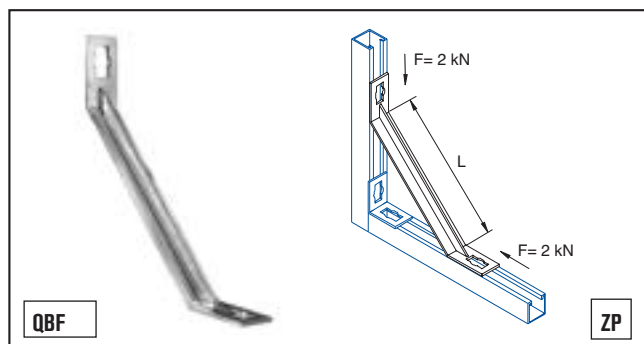


Part No.	L	Load Capacity				
ZP	mm	F ₁	F ₂	F ₃	F ₄	
139 66 58	0.75 200	2.37 kN	-	-	-	10
139 66 58	0.91 250	1.55 kN	0.98 kN	-	-	10
139 66 58	1.12 350	1.15 kN	0.68 kN	0.55 kN	-	10
139 66 58	1.40 450	0.92 kN	0.52 kN	0.40 kN	0.36 kN	10

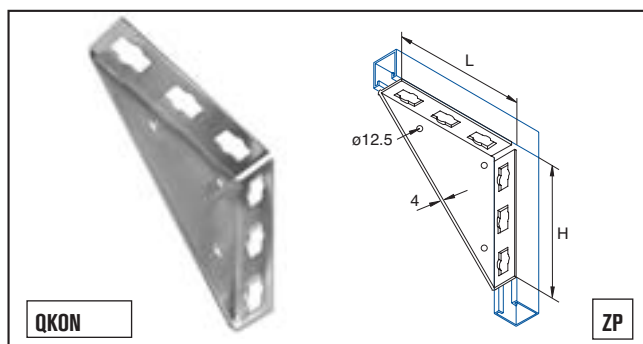


Part No.	D	d		
ZP	mm	mm		
139 08 65	27	8.5	.02	50
139 10 65	27	10.5	.02	50
139 12 65	27	12.5	.02	50

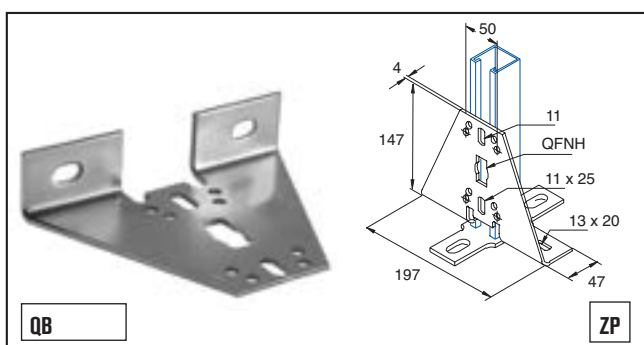
Angle Brackets



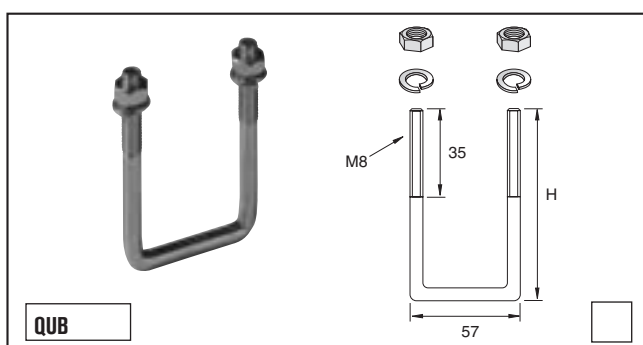
Part No.	F	L		
ZP	kN	mm		
139 30 07	2	300	0.62	10
139 40 07	2	400	0.81	10
139 50 07	2	500	1.03	10
139 60 07	2	600	1.24	10



Part No.	H	L		
ZP	mm	mm		
139 01 55	195	195	0.95	10
139 01 65	210	155	0.78	10



Part No.	H	B	L	L1		
ZP	mm	mm	mm	mm		
139 13 91	147	47	197	50	0.72	10



Part No.		H		
ZP		mm	/100	
139 21 69	P3300 / P4000 (41 x 21)	65	6.4	20
139 41 69	P1000 / P2000 (41 x 41)	85	7.6	20
139 62 69	P5500 (41 x 62)	108	9.0	20

Cable Ladder

Unistrut's Cable Ladder Solution

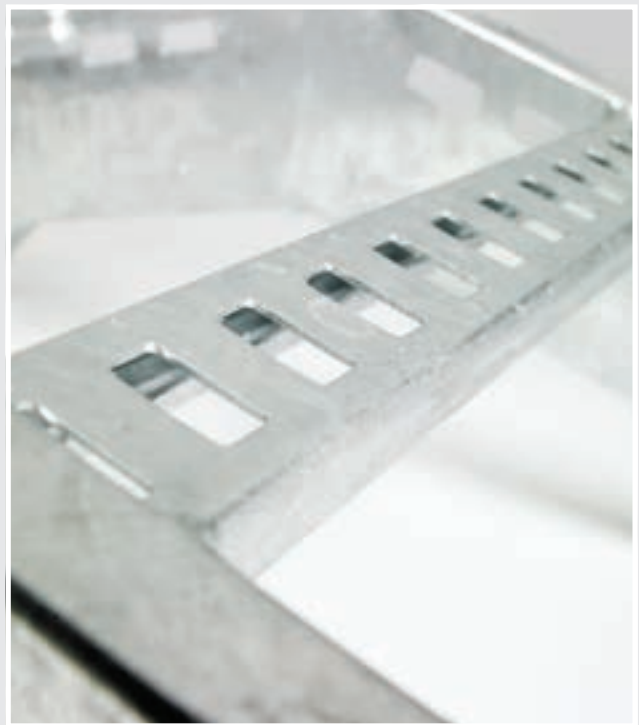
UNISTRUT®



The Unistrut Cable Ladder Solution

Unistruts Cable ladder systems are renowned around the world for quality and engineering excellence. Wherever severe corrosion conditions are present, or a long maintenance free life is required, Unistrut's welded steel cable ladder systems is the obvious choice. Unistrut manufactures a complete range of cable ladder systems for a wide range of load and span combinations to suit the requirements of almost any installation.

- ◆ Supplied in medium, heavy and extra heavy duty sizes.
- ◆ Available in standard finishes of [PG] Pre-Galvanised, [HG] hot-dip galvanised and [SS] stainless steel, but also Specialist Finishes are available on request.
- ◆ Versatile system for heavy cabling
- ◆ Engineered to maximise long span runs where support installation is limited.



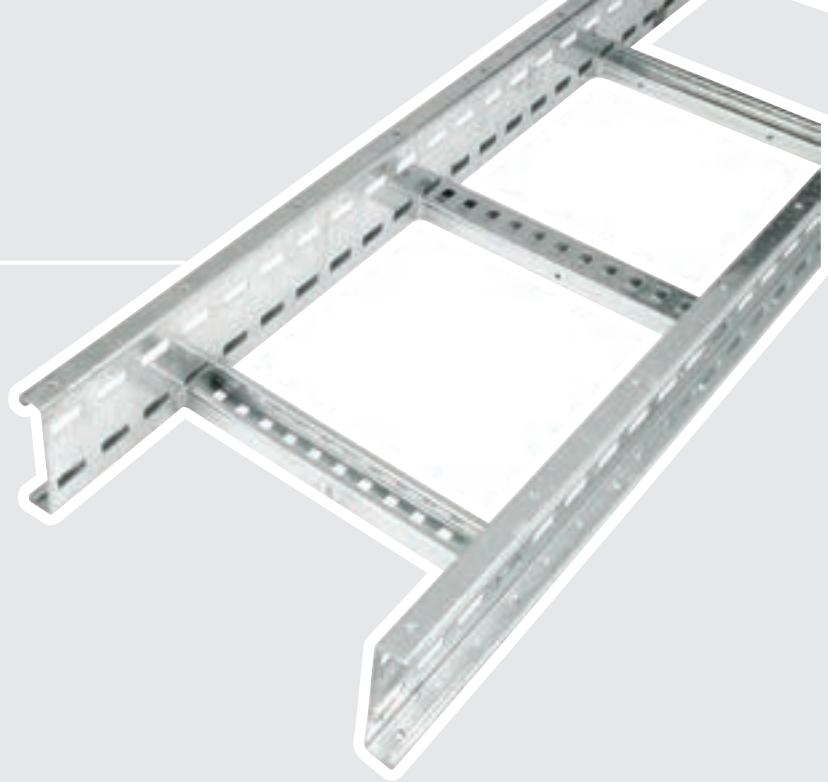
- ◆ Cable ladders are selected because of their heavy load carrying capacities and the excellent performance they give in harsh environments where salt spray or salt laden atmosphere, and other mild corrosive materials are present. Applications such as Oil & Gas, Petrochemical, port facilities and anything else you can imagine!

U10 - Medium duty

Medium duty 100mm high cable ladder for the tougher application and complete with wide range of accessories and fixings to suit.

Available in 3 or 6m lengths with widths from 100 to 1000mm, in [HG] hot-dip galvanised and [SS] stainless steel finishes.

Typical loading on with a 3m support span of approx 235kg/m.



U 12 - Heavy duty

Heavy duty 125mm high cable ladder, designed for applications which require a stronger and more rigid solution, complete with a wide range of accessories and fixings to suit.

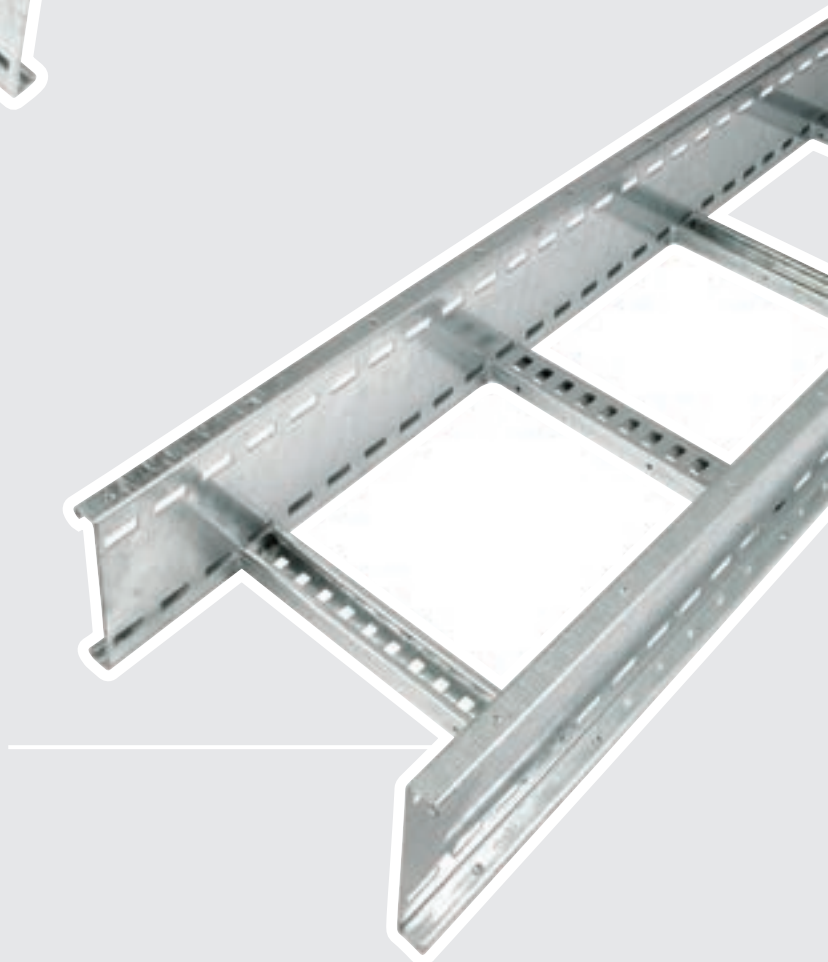
Available in 3 or 6m lengths with widths from 100 to 1200mm, in [HG] hot-dip galvanised and [SS] stainless steel finishes.

Typical loading on with a 3m support span of approx 357kg/m.

U 15 - Extra Heavy duty

Extra heavy duty 150mm high cable ladder intended for use in applications which require additional strengths and reliability. Complete with a wide range of accessories and fittings, the Extreme Duty cable ladder is supplied in 3 or 6m lengths and is available in a number of finishes, including [HG] hot-dip galvanised and [SS] stainless steel.

Typical loading on with a 3m support span of approx 449kg/m.



Tables and Key

Material Finish (Straights and Fittings)

Finish	Code
Pre-Galvanised	PG
Hot Dipped Galvanised	HG
Stainless Steel	SS

Icon Key - Features



Inc Fitments



Sold as Pair



Sold as Individual

Width and Angle Codes

Standard Widths (W)		By Request
Code	Width	
10	100mm	By Request
15	150mm	
20	200mm	By Request
30	300mm	
40	400mm	By Request
45	450mm	
50	500mm	By Request
60	600mm	
70	700mm	By Request
75	750mm	
80	800mm	By Request
90	900mm	
100	1000mm	By Request

Radii (R)	
Code	Width
30	300mm*
45	450mm
60	600mm
75	750mm
90	900mm

Angles (D)		By Request
Width	Angle	
30	30	By Request
45	45	
60	60	By Request
90	90	

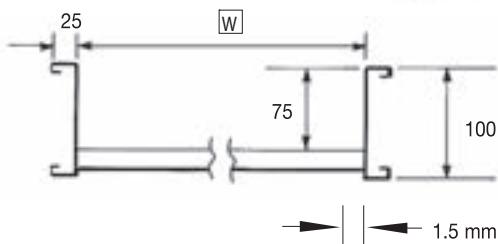
*Standard

U10 - Medium Duty

L3 and L6 Cable Ladder

Medium duty 100mm high cable ladder for the tougher application and complete with wide range of accessories and fixings to suit.

Available in 3 or 6m lengths with widths from 100 to 1000mm.



Sold as Individual

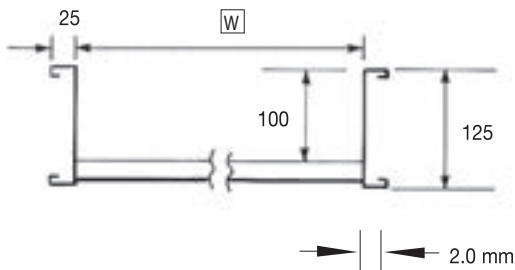
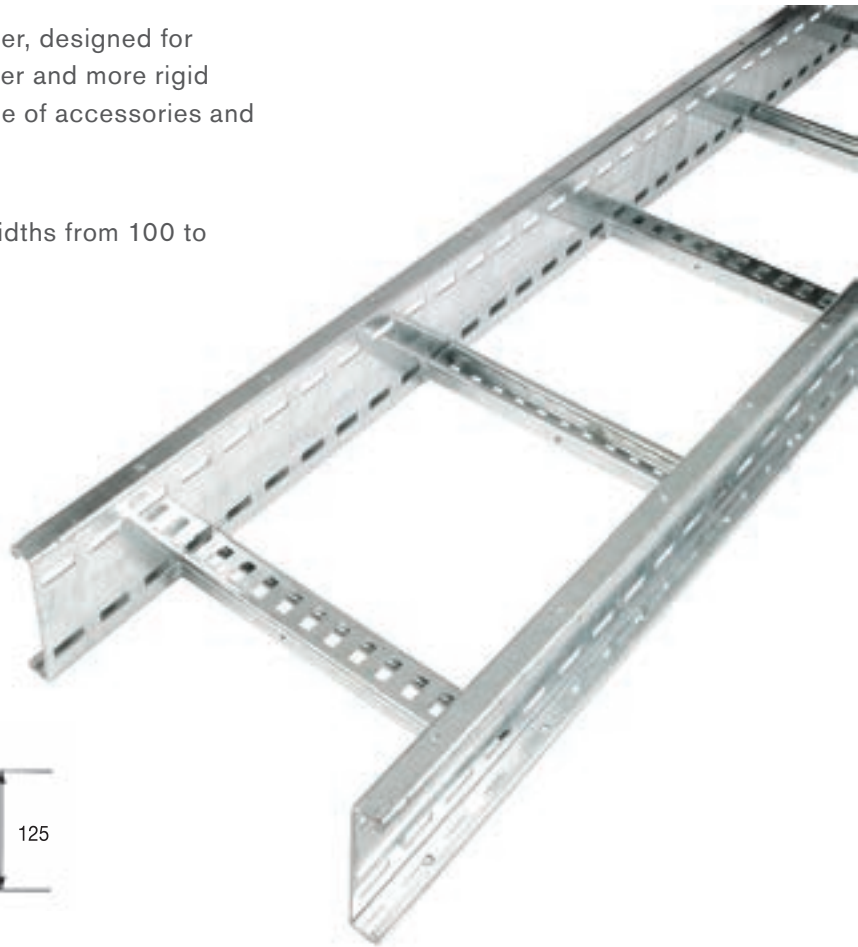
Size (W)	U10 L3 (3 metre Length)			U10 L6 (6 metre Length)		
	Product Code	Weight	Product Code	Weight		
mm	HG	SS	HG	SS	kg	
100	U10L3100H	U10L3100S	13.2	U10L6100H	U10L6100S	26.53
150	U10L3150H	U10L3150S	13.8	U10L6150H	U10L6150S	27.67
200	U10L3200H	U10L3200S	14.4	U10L6200H	U10L6200S	28.81
300	U10L3300H	U10L3300S	15.55	U10L6300H	U10L6300S	31.10
400	U10L3400H	U10L3400S	16.69	U10L6400H	U10L6400S	33.39
450	U10L3450H	U10L3450S	17.27	U10L6450H	U10L6450S	34.53
500	U10L3500H	U10L3500S	17.84	U10L6500H	U10L6500S	35.68
600	U10L3600H	U10L3600S	18.98	U10L6600H	U10L6600S	37.97
700	U10L3700H	U10L3700S	22.13	U10L6700H	U10L6700S	44.25
750	U10L3750H	U10L3750S	22.84	U10L6750H	U10L6750S	45.68
800	U10L3800H	U10L3800S	23.55	U10L6800H	U10L6800S	47.11
900	U10L3900H	U10L3900S	24.98	U10L6900H	U10L6900S	49.97
1000	U10L31000H	U10L31000S	26.41	U10L61000H	U10L61000S	52.83

U12 - Heavy Duty

L3 and L6 Cable Ladder

Heavy duty 125mm high cable ladder, designed for applications which require a stronger and more rigid solution, complete with a wide range of accessories and fixings to suit.

Available in 3 or 6m lengths with widths from 100 to 1200mm.



Sold as Individual

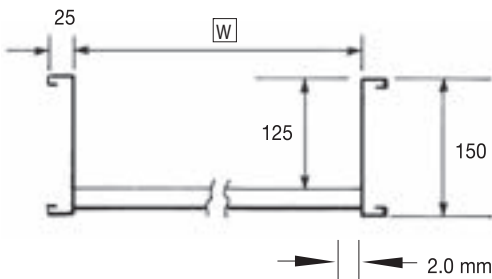
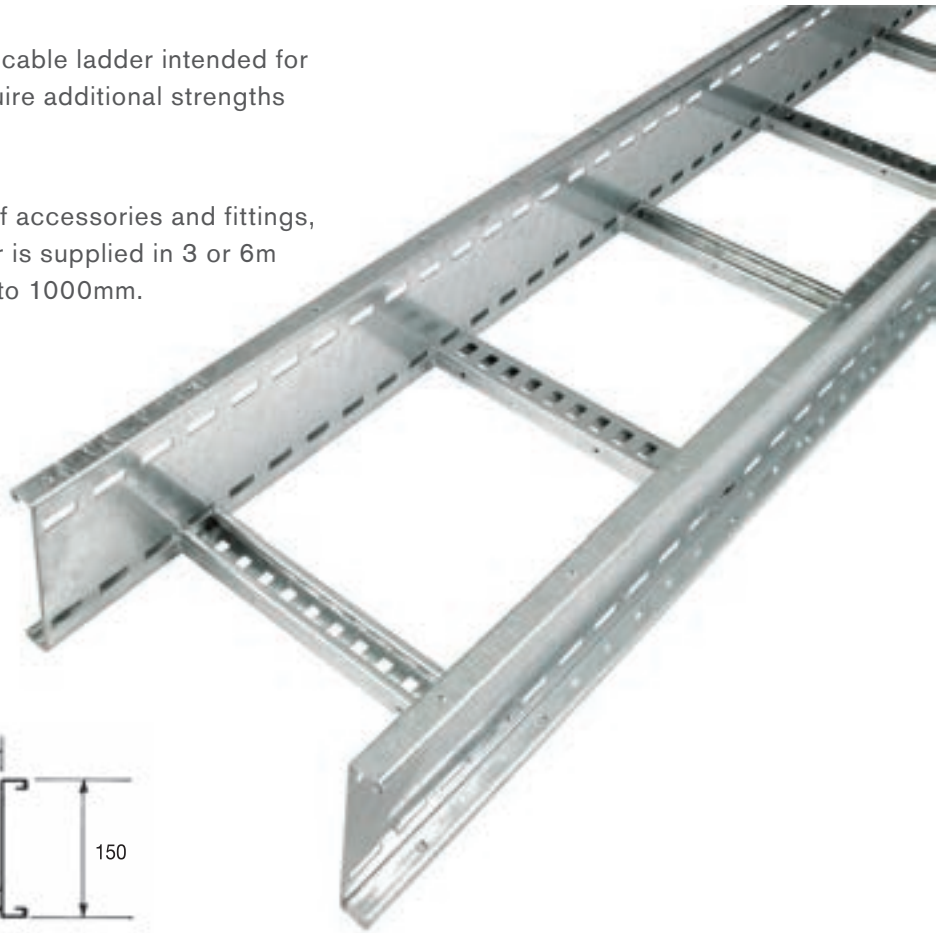
Size (W)	U12 L3 (3 metre Length)			U12 L6 (6 metre Length)		
	Product Code		Weight	Product Code		Weight
	mm	HG	SS	kg	HG	SS
100	U12L3100H	U12L3100S	18.89	U12L6100H	U12L6100S	38.22
150	U12L3150H	U12L3150S	19.68	U12L6150H	U12L6150S	39.37
200	U12L3200H	U12L3200S	20.25	U12L6200H	U12L6200S	40.51
300	U12L3300H	U12L3300S	21.40	U12L6300H	U12L6300S	42.80
400	U12L3400H	U12L3400S	22.54	U12L6400H	U12L6400S	44.54
450	U12L3450H	U12L3450S	23.11	U12L6450H	U12L6450S	46.23
500	U12L3500H	U12L3500S	23.69	U12L6500H	U12L6500S	47.38
600	U12L3600H	U12L3600S	24.83	U12L6600H	U12L6600S	49.66
700	U12L3700H	U12L3700S	27.97	U12L6700H	U12L6700S	55.95
750	U12L3750H	U12L3750S	28.69	U12L6750H	U12L6750S	57.28
800	U12L3800H	U12L3800S	29.40	U12L6800H	U12L6800S	58.81
900	U12L3900H	U12L3900S	30.83	U12L6900H	U12L6900S	61.67
1000	U12L31000H	U12L31000S	32.26	U12L61000H	U12L61000S	64.53
1200	U12L31200H	U12L31200S	34.80	U12L61200H	U12L61200S	67.21

U15 - Extra Heavy Duty

L3 and L6 Cable Ladder

Extra heavy duty 150mm high cable ladder intended for use in applications which require additional strengths and reliability.

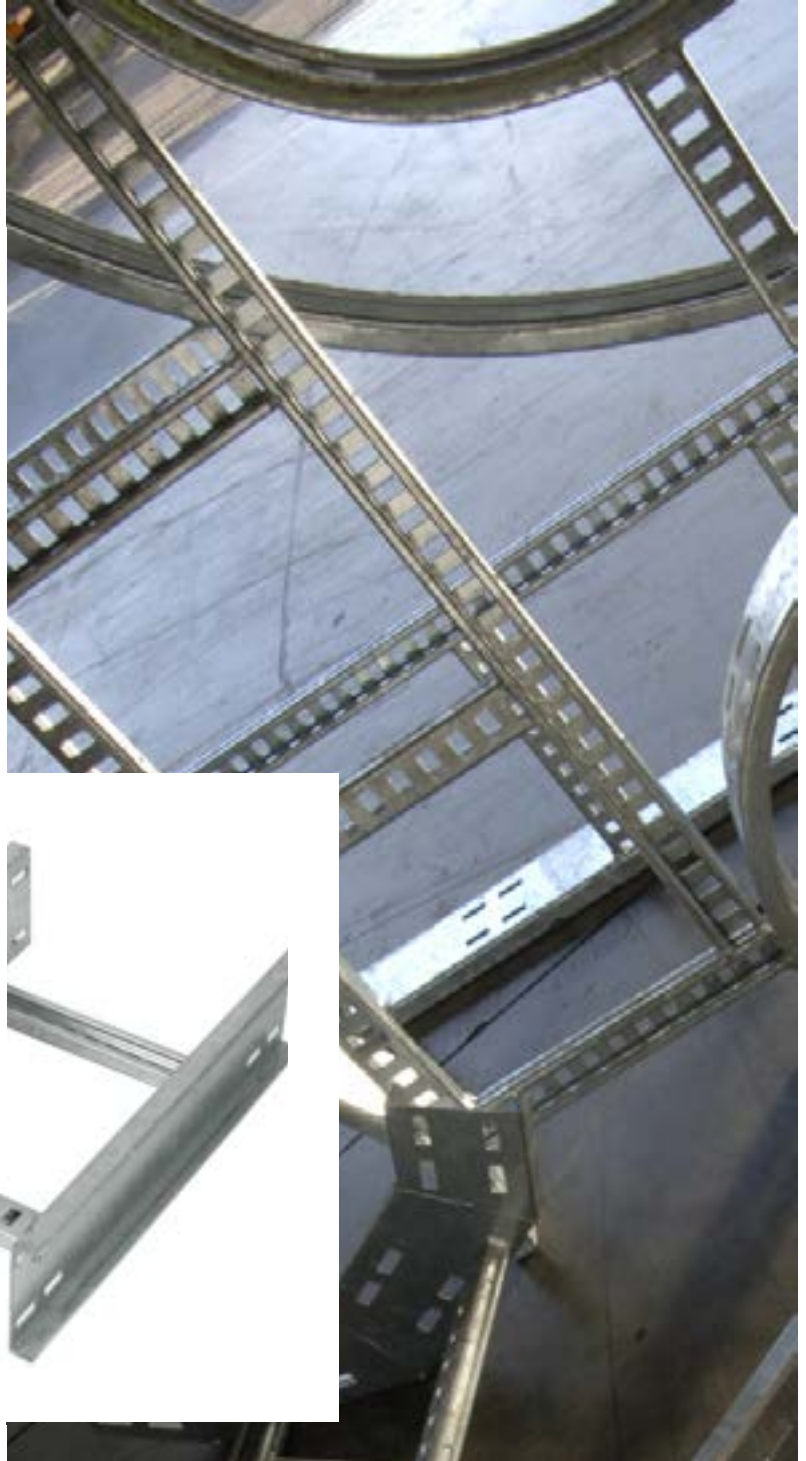
Complete with a wide range of accessories and fittings, the Extreme Duty cable ladder is supplied in 3 or 6m lengths with widths from 100 to 1000mm.



Sold as Individual

Size (W)	U15 L3 (3 metre Length)			U15 L6 (6 metre Length)		
	Product Code		Weight	Product Code		Weight
	HG	SS	kg	HG	SS	kg
100	U15L3100H	U15L3100S	21.56	U15L6100H	U15L6100S	42.48
150	U15L3150H	U15L3150S	22.14	U15L6150H	U15L6150S	44.27
200	vU15L3200H	U15L3200S	22.71	U15L6200H	U15L6200S	45.42
300	U15L3300H	U15L3300S	23.85	U15L6300H	U15L6300S	47.41
400	U15L3400H	U15L3400S	25	U15L6400H	U15L6400S	49.24
450	U15L3450H	U15L3450S	25.57	U15L6450H	U15L6450S	51.14
500	U15L3500H	U15L3500S	26.14	U15L6500H	U15L6500S	52.28
600	U15L3600H	U15L3600S	27.28	U15L6600H	U15L6600S	54.57
700	U15L3700H	U15L3700S	30.43	U15L6700H	U15L6700S	60.87
750	U15L3750H	U15L3750S	31.14	U15L6750H	U15L6750S	62.29
800	U15L3800H	U15L3800S	31.86	U15L6800H	U15L6800S	63.72
900	U15L3900H	U15L3900S	33.29	U15L6900H	U15L6900S	66.58
1000	U15L31000H	U15L31000S	34.72	U15L61000H	U15L61000S	69.44

Cable Ladder Fittings



Flat Bend



U10 Flat Bends - 45 Degrees

Size (W)	Part No.		Weight
	HG	SS	
mm			kg
100	U10FB10/45/30H	U10FB10/45/30S	1.9
150	U10FB15/45/30H	U10FB15/45/30S	2.1
200	U10FB20/45/30H	U10FB20/45/30S	2.3
300	U10FB30/45/30H	U10FB30/45/30S	2.7
400	U10FB40/45/30H	U10FB40/45/30S	3.1
450	U10FB45/45/30H	U10FB45/45/30S	3.3
500	U10FB50/45/30H	U10FB50/45/30S	3.5
600	U10FB60/45/30H	U10FB60/45/30S	3.9
700	U10FB70/45/30H	U10FB70/45/30S	5.7
750	U10FB75/45/30H	U10FB75/45/30S	6
800	U10FB80/45/30H	U10FB80/45/30S	6.3
900	U10FB90/45/30H	U10FB90/45/30S	6.9
1000	U10FB100/45/30H	U10FB100/45/30S	7.5

U12 Flat Bends - 45 Degrees

Size (W)	Part No.		Weight
	HG	SS	
mm			kg
100	U12FB10/45/30H	U12FB10/45/30S	2.7
150	U12FB15/45/30H	U12FB15/45/30S	3
200	U12FB20/45/30H	U12FB20/45/30S	3.2
300	U12FB30/45/30H	U12FB30/45/30S	3.7
400	U12FB40/45/30H	U12FB40/45/30S	4
450	U12FB45/45/30H	U12FB45/45/30S	4.4
500	U12FB50/45/30H	U12FB50/45/30S	4.9
600	U12FB60/45/30H	U12FB60/45/30S	5
700	U12FB70/45/30H	U12FB70/45/30S	6.8
750	U12FB75/45/30H	U12FB75/45/30S	7.2
800	U12FB80/45/30H	U12FB80/45/30S	7.5
900	U12FB90/45/30H	U12FB90/45/30S	8.1
1000	U12FB100/45/30H	U12FB100/45/30S	8.8
1200	U12FB120/45/30H	U12FB120/45/30S	

U15 Flat Bends - 45 Degrees

Size (W)	Part No.		Weight
	HG	SS	
mm			
100	U15FB10/45/30H	U15FB10/45/30S	3
150	U15FB15/45/30H	U15FB15/45/30S	3.3
200	U15FB20/45/30H	U15FB20/45/30S	3.5
300	U15FB30/45/30H	U15FB30/45/30S	4
400	U15FB40/45/30H	U15FB40/45/30S	4.2
450	U15FB45/45/30H	U15FB45/45/30S	4.8
500	U15FB50/45/30H	U15FB50/45/30S	5
600	U15FB60/45/30H	U15FB60/45/30S	5.5
700	U15FB70/45/30H	U15FB70/45/30S	7.4
750	U15FB75/45/30H	U15FB75/45/30S	7.7
800	U15FB80/45/30H	U15FB80/45/30S	8.1
900	U15FB90/45/30H	U15FB90/45/30S	8.7
1000	U15FB100/45/30H	U15FB100/45/30S	9.4



Sold as Individual

Different Radius' Available Upon Request

Flat Bend - 90 °

Flat Bend



U10 Flat Bends - 90 Degrees

Size (W)	Part No.		Weight
	HG	SS	
mm			kg
100	U10FB10/90/30H	U10FB10/90/30S	3.2
150	U10FB15/90/30H	U10FB15/90/30S	3.5
200	U10FB20/90/30H	U10FB20/90/30S	3.9
300	U10FB30/90/30H	U10FB30/90/30S	4.5
400	U10FB40/90/30H	U10FB40/90/30S	5.7
450	U10FB45/90/30H	U10FB45/90/30S	6.1
500	U10FB50/90/30H	U10FB50/90/30S	6.5
600	U10FB60/90/30H	U10FB60/90/30S	7.3
700	U10FB70/90/30H	U10FB70/90/30S	8.8
750	U10FB75/90/30H	U10FB75/90/30S	10.41
800	U10FB80/90/30H	U10FB80/90/30S	10.93
900	U10FB90/90/30H	U10FB90/90/30S	11.98
1000	U10FB100/90/30H	U10FB100/90/30S	13.05

U12 Flat Bends - 90 Degrees

Size (W)	Part No.		Weight
	HG	SS	
mm			kg
100	U12FB10/90/30H	U12FB10/90/30S	4.6
150	U12FB15/90/30H	U12FB15/90/30S	5
200	U12FB20/90/30H	U12FB20/90/30S	5.4
300	U12FB30/90/30H	U12FB30/90/30S	6.3
400	U12FB40/90/30H	U12FB40/90/30S	7.3
450	U12FB45/90/30H	U12FB45/90/30S	8
500	U12FB50/90/30H	U12FB50/90/30S	8.5
600	U12FB60/90/30H	U12FB60/90/30S	9.2
700	U12FB70/90/30H	U12FB70/90/30S	11.2
750	U12FB75/90/30H	U12FB75/90/30S	12.8
800	U12FB80/90/30H	U12FB80/90/30S	13.4
900	U12FB90/90/30H	U12FB90/90/30S	14.6
1000	U12FB100/90/30H	U12FB100/90/30S	15.8
1200	U12FB120/90/30H	U12FB120/90/30S	17.6

U15 Flat Bends - 90 Degrees

Size (W)	Part No.		Weight
	HG	SS	
mm			kg
100	U15FB10/90/30H	U15FB10/90/30S	5.1
150	U15FB15/90/30H	U15FB15/90/30S	5.5
200	U15FB20/90/30H	U15FB20/90/30S	5.9
300	U15FB30/90/30H	U15FB30/90/30S	6.8
400	U15FB40/90/30H	U15FB40/90/30S	7.7
450	U15FB45/90/30H	U15FB45/90/30S	8.6
500	U15FB50/90/30H	U15FB50/90/30S	9.1
600	U15FB60/90/30H	U15FB60/90/30S	10.1
700	U15FB70/90/30H	U15FB70/90/30S	11.9
750	U15FB75/90/30H	U15FB75/90/30S	13.49
800	U15FB80/90/30H	U15FB80/90/30S	14.11
900	U15FB90/90/30H	U15FB90/90/30S	15.34
1000	U15FB100/90/30H	U15FB100/90/30S	16.58

Different Radius' Available Upon Request



Sold as Individual

Tee



U10 Tee

Size (W)	Part No.		Weight
	HG	SS	
mm			kg
100	U10ET10/10/30H	U10ET10/10/30S	5.3
150	U10ET15/15/30H	U10ET15/15/30S	5.7
200	U10ET20/20/30H	U10ET20/20/30S	6.1
300	U10ET30/30/30H	U10ET30/30/30S	7.7
400	U10ET40/40/30H	U10ET40/40/30S	8.7
450	U10ET45/45/30H	U10ET45/45/30S	9.2
500	U10ET50/50/30H	U10ET50/50/30S	9.7
600	U10ET60/60/30H	U10ET60/60/30S	10.7
700	U10ET70/70/30H	U10ET70/70/30S	14.2
750	U10ET75/75/30H	U10ET75/75/30S	14.9
800	U10ET80/80/30H	U10ET80/80/30S	15.5
900	U10ET90/90/30H	U10ET90/90/30S	16.9
1000	U10ET100/100/30H	U10ET100/100/30S	

U12 Tee

Size (W)	Part No.		Weight
	HG	SS	
mm			kg
100	U12ET10/10/30H	U12ET10/10/30S	8.2
150	U12ET15/15/30H	U12ET15/15/30S	7.6
200	U12ET20/20/30H	U12ET20/20/30S	8.1
300	U12ET30/30/30H	U12ET30/30/30S	9.7
400	U12ET40/40/30H	U12ET40/40/30S	10.7
450	U12ET45/45/30H	U12ET45/45/30S	11.3
500	U12ET50/50/30H	U12ET50/50/30S	11.8
600	U12ET60/60/30H	U12ET60/60/30S	12.9
700	U12ET70/70/30H	U12ET70/70/30S	16.4
750	U12ET75/75/30H	U12ET75/75/30S	17.1
800	U12ET80/80/30H	U12ET80/80/30S	17.8
900	U12ET90/90/30H	U12ET90/90/30S	19.2
1000	U12ET100/100/30H	U12ET100/100/30S	
1200	U12ET120/120/30H	U12ET120/120/30S	

U15 Tee

Size (W)	Part No.		Weight
	HG	SS	
mm			kg
100	U15ET10/10/30H	U15ET10/10/30S	8.1
150	U15ET15/15/30H	U15ET15/15/30S	8.5
200	U15ET20/20/30H	U15ET20/20/30S	8.9
300	U15ET30/30/30H	U15ET30/30/30S	10.6
400	U15ET40/40/30H	U15ET40/40/30S	11.7
450	U15ET45/45/30H	U15ET45/45/30S	12.3
500	U15ET50/50/30H	U15ET50/50/30S	12.8
600	U15ET60/60/30H	U15ET60/60/30S	13.9
700	U15ET70/70/30H	U15ET70/70/30S	17.5
750	U15ET75/75/30H	U15ET75/75/30S	18.2
800	U15ET80/80/30H	U15ET80/80/30S	19.
900	U15ET90/90/30H	U15ET90/90/30S	20
1000	U15ET100/100/30H	U15ET100/100/30S	



Sold as Individual

Unequal Tee's available upon request

Cross

Cross



U10 Cross

Size (W)	Part No.		Weight
	HG	SS	
mm			kg
100	U10EC10/10/30H	U10EC10/10/30S	7.2
150	U10EC15/15/30H	U10EC15/15/30S	7.4
200	U10EC20/20/30H	U10EC20/20/30S	7.8
300	U10EC30/30/30H	U10EC30/30/30S	9.9
400	U10EC40/40/30H	U10EC40/40/30S	9.9
450	U10EC45/45/30H	U10EC45/45/30S	11.6
500	U10EC50/50/30H	U10EC50/50/30S	12.21
600	U10EC60/60/30H	U10EC60/60/30S	13.36
700	U10EC70/70/30H	U10EC70/70/30S	17.76
750	U10EC75/75/30H	U10EC75/75/30S	18.55
800	U10EC80/80/30H	U10EC80/80/30S	14.37
900	U10EC90/90/30H	U10EC90/90/30S	20.91
1000	U10EC100/100/30H	U10EC100/100/30S	

U12 Cross

Size (W)	Part No.		Weight
	HG	SS	
mm			kg
100	U12EC10/10/30H	U12EC10/10/30S	10.4
150	U12EC15/15/30H	U12EC15/15/30S	9.6
200	U12EC20/20/30H	U12EC20/20/30S	9.9
300	U12EC30/30/30H	U12EC30/30/30S	12
400	U12EC40/40/30H	U12EC40/40/30S	13.1
450	U12EC45/45/30H	U12EC45/45/30S	13.6
500	U12EC50/50/30H	U12EC50/50/30S	14.2
600	U12EC60/60/30H	U12EC60/60/30S	15.3
700	U12EC70/70/30H	U12EC70/70/30S	19.7
750	U12EC75/75/30H	U12EC75/75/30S	20.4
800	U12EC80/80/30H	U12EC80/80/30S	21.2
900	U12EC90/90/30H	U12EC90/90/30S	22.7
1000	U12EC100/100/30H	U12EC100/100/30S	
1200	U12EC120/120/30H	U12EC120/120/30S	

U15 Cross

Size (W)	Part No.		Weight
	HG	SS	
mm			kg
100	U15EC10/10/30H	U15EC10/10/30S	
150	U15EC15/15/30H	U15EC15/15/30S	10.62
200	U15EC20/20/30H	U15EC20/20/30S	11
300	U15EC30/30/30H	U15EC30/30/30S	13
400	U15EC40/40/30H	U15EC40/40/30S	14.1
450	U15EC45/45/30H	U15EC45/45/30S	14.6
500	U15EC50/50/30H	U15EC50/50/30S	15.2
600	U15EC60/60/30H	U15EC60/60/30S	16.3
700	U15EC70/70/30H	U15EC70/70/30S	20.7
750	U15EC75/75/30H	U15EC75/75/30S	21.4
800	U15EC80/80/30H	U15EC80/80/30S	22.2
900	U15EC90/90/30H	U15EC90/90/30S	23.7
1000	U15EC100/100/30H	U15EC100/100/30S	

Different Radius' Available Upon Request



Sold as Individual

Outside Riser



U10 Outside Riser - 45 Degrees

Size (W)	Part No.		Weight
	HG	SS	
mm			kg
100	U10OR10/45/30H	U10OR10/45/30S	1.8
150	U10OR15/45/30H	U10OR15/45/30S	2.3
200	U10OR20/45/30H	U10OR20/45/30S	2.5
300	U10OR30/45/30H	U10OR30/45/30S	2.7
400	U10OR40/45/30H	U10OR40/45/30S	2.9
450	U10OR45/45/30H	U10OR45/45/30S	3
500	U10OR50/45/30H	U10OR50/45/30S	3.2
600	U10OR60/45/30H	U10OR60/45/30S	3.4
700	U10OR70/45/30H	U10OR70/45/30S	4
750	U10OR75/45/30H	U10OR75/45/30S	4.1
800	U10OR80/45/30H	U10OR80/45/30S	4.3
900	U10OR90/45/30H	U10OR90/45/30S	4.6
1000	U10OR100/45/30H	U10OR100/45/30S	4.9

U12 Outside Riser - 45 Degrees

Size (W)	Part No.		Weight
	HG	SS	
mm			kg
100	U12OR10/45/30H	U12OR10/45/30S	3.3
150	U12OR15/45/30H	U12OR15/45/30S	3.4
200	U12OR20/45/30H	U12OR20/45/30S	3.5
300	U12OR30/45/30H	U12OR30/45/30S	3.7
400	U12OR40/45/30H	U12OR40/45/30S	3.9
450	U12OR45/45/30H	U12OR45/45/30S	4.1
500	U12OR50/45/30H	U12OR50/45/30S	4.2
600	U12OR60/45/30H	U12OR60/45/30S	4.4
700	U12OR70/45/30H	U12OR70/45/30S	5
750	U12OR75/45/30H	U12OR75/45/30S	5.2
800	U12OR80/45/30H	U12OR80/45/30S	5.3
900	U12OR90/45/30H	U12OR90/45/30S	5.6
1000	U12OR100/45/30H	U12OR100/45/30S	5.9
1200	U12OR120/45/30H	U12OR120/45/30S	

U15 Outside Riser - 45 Degrees

Size (W)	Part No.		Weight
	HG	SS	
mm			kg
100	U15OR10/45/30H	U15OR10/45/30S	4
150	U15OR15/45/30H	U15OR15/45/30S	4.1
200	U15OR20/45/30H	U15OR20/45/30S	4.2
300	U15OR30/45/30H	U15OR30/45/30S	4.4
400	U15OR40/45/30H	U15OR40/45/30S	4.6
450	U15OR45/45/30H	U15OR45/45/30S	4.8
500	U15OR50/45/30H	U15OR50/45/30S	4.9
600	U15OR60/45/30H	U15OR60/45/30S	5.1
700	U15OR70/45/30H	U15OR70/45/30S	5.7
750	U15OR75/45/30H	U15OR75/45/30S	5.9
800	U15OR80/45/30H	U15OR80/45/30S	6
900	U15OR90/45/30H	U15OR90/45/30S	6.3
1000	U15OR100/45/30H	U15OR100/45/30S	6.6



Sold as Individual

Outside Riser - 90 °

Outside Riser



U10 Outside Riser - 90 Degrees

Size (W)	Part No.		Weight
	HG	SS	
mm			kg
100	U10OR10/90/30H	U10OR10/90/30S	2.5
150	U10OR15/90/30H	U10OR15/90/30S	2.6
200	U10OR20/90/30H	U10OR20/90/30S	2.7
300	U10OR30/90/30H	U10OR30/90/30S	3
400	U10OR40/90/30H	U10OR40/90/30S	3.2
450	U10OR45/90/30H	U10OR45/90/30S	3.3
500	U10OR50/90/30H	U10OR50/90/30S	3.4
600	U10OR60/90/30H	U10OR60/90/30S	3.7
700	U10OR70/90/30H	U10OR70/90/30S	4.3
750	U10OR75/90/30H	U10OR75/90/30S	4.4
800	U10OR80/90/30H	U10OR80/90/30S	4.6
900	U10OR90/90/30H	U10OR90/90/30S	4.9
1000	U10OR100/90/30H	U10OR100/90/30S	5.03

U12 Outside Riser - 90 Degrees

Size (W)	Part No.		Weight
	HG	SS	
mm			kg
100	U12OR10/90/30H	U12OR10/90/30S	3.8
150	U12OR15/90/30H	U12OR15/90/30S	3.9
200	U12OR20/90/30H	U12OR20/90/30S	4
300	U12OR30/90/30H	U12OR30/90/30S	4.2
400	U12OR40/90/30H	U12OR40/90/30S	4.4
450	U12OR45/90/30H	U12OR45/90/30S	4.5
500	U12OR50/90/30H	U12OR50/90/30S	4.6
600	U12OR60/90/30H	U12OR60/90/30S	4.9
700	U12OR70/90/30H	U12OR70/90/30S	5.5
750	U12OR75/90/30H	U12OR75/90/30S	5.6
800	U12OR80/90/30H	U12OR80/90/30S	5.8
900	U12OR90/90/30H	U12OR90/90/30S	6
1000	U12OR100/90/30H	U12OR100/90/30S	6.3
1200	U12OR120/90/30H	U12OR120/90/30S	

U15 Outside Riser - 90 Degrees

Size (W)	Part No.		Weight
	HG	SS	
mm			kg
100	U15OR10/90/30H	U15OR10/90/30S	4.6
150	U15OR15/90/30H	U15OR15/90/30S	4.7
200	U15OR20/90/30H	U15OR20/90/30S	4.8
300	U15OR30/90/30H	U15OR30/90/30S	5
400	U15OR40/90/30H	U15OR40/90/30S	5.2
450	U15OR45/90/30H	U15OR45/90/30S	5.3
500	U15OR50/90/30H	U15OR50/90/30S	5.5
600	U15OR60/90/30H	U15OR60/90/30S	5.7
700	U15OR70/90/30H	U15OR70/90/30S	6.3
750	U15OR75/90/30H	U15OR75/90/30S	6.4
800	U15OR80/90/30H	U15OR80/90/30S	6.6
900	U15OR90/90/30H	U15OR90/90/30S	6.9
1000	U15OR100/90/30H	U15OR100/90/30S	10.26



Sold as
Individual

Inside Riser



U10 Inside Riser - 45 Degrees

Size (W)	Part No.		Weight
	HG	SS	
mm			kg
100	U10IR10/45/30H	U10IR10/45/30S	1.8
150	U10IR15/45/30H	U10IR15/45/30S	2.3
200	U10IR20/45/30H	U10IR20/45/30S	2.5
300	U10IR30/45/30H	U10IR30/45/30S	2.7
400	U10IR40/45/30H	U10IR40/45/30S	2.9
450	U10IR45/45/30H	U10IR45/45/30S	3
500	U10IR50/45/30H	U10IR50/45/30S	3.2
600	U10IR60/45/30H	U10IR60/45/30S	3.4
700	U10IR70/45/30H	U10IR70/45/30S	4
750	U10IR75/45/30H	U10IR75/45/30S	4.1
800	U10IR80/45/30H	U10IR80/45/30S	4.3
900	U10IR90/45/30H	U10IR90/45/30S	4.6
1000	U10IR100/45/30H	U10IR100/45/30S	4.9

U12 Inside Riser - 45 Degrees

Size (W)	Part No.		Weight
	HG	SS	
mm			kg
100	U12IR10/45/30H	U12IR10/45/30S	3.3
150	U12IR15/45/30H	U12IR15/45/30S	3.4
200	U12IR20/45/30H	U12IR20/45/30S	3.5
300	U12IR30/45/30H	U12IR30/45/30S	3.7
400	U12IR40/45/30H	U12IR40/45/30S	3.9
450	U12IR45/45/30H	U12IR45/45/30S	4.1
500	U12IR50/45/30H	U12IR50/45/30S	4.2
600	U12IR60/45/30H	U12IR60/45/30S	4.4
700	U12IR70/45/30H	U12IR70/45/30S	5
750	U12IR75/45/30H	U12IR75/45/30S	5.2
800	U12IR80/45/30H	U12IR80/45/30S	5.3
900	U12IR90/45/30H	U12IR90/45/30S	5.6
1000	U12IR100/45/30H	U12IR100/45/30S	5.9
1200	U12IR120/45/30H	U12IR120/45/30S	

U15 Inside Riser - 45 Degrees

Size (W)	Part No.		Weight
	HG	SS	
mm			kg
100	U15IR10/45/30H	U15IR10/45/30S	4
150	U15IR15/45/30H	U15IR15/45/30S	4.1
200	U15IR20/45/30H	U15IR20/45/30S	4.2
300	U15IR30/45/30H	U15IR30/45/30S	4.4
400	U15IR40/45/30H	U15IR40/45/30S	4.6
450	U15IR45/45/30H	U15IR45/45/30S	4.8
500	U15IR50/45/30H	U15IR50/45/30S	4.9
600	U15IR60/45/30H	U15IR60/45/30S	5.1
700	U15IR70/45/30H	U15IR70/45/30S	5.7
750	U15IR75/45/30H	U15IR75/45/30S	5.9
800	U15IR80/45/30H	U15IR80/45/30S	6
900	U15IR90/45/30H	U15IR90/45/30S	6.3
1000	U15IR100/45/30H	U15IR100/45/30S	6.6



Sold as Individual

Inside Riser - 90 °

Inside Riser



U10 Inside Riser - 90 Degrees

Size (W)	Part No.		Weight
	HG	SS	
mm			kg
100	U10IR10/90/30H	U10IR10/90/30S	1.8
150	U10IR15/90/30H	U10IR15/90/30S	2.3
200	U10IR20/90/30H	U10IR20/90/30S	2.5
300	U10IR30/90/30H	U10IR30/90/30S	2.7
400	U10IR40/90/30H	U10IR40/90/30S	2.9
450	U10IR45/90/30H	U10IR45/90/30S	3
500	U10IR50/90/30H	U10IR50/90/30S	3.2
600	U10IR60/90/30H	U10IR60/90/30S	3.4
700	U10IR70/90/30H	U10IR70/90/30S	4
750	U10IR75/90/30H	U10IR75/90/30S	4.1
800	U10IR80/90/30H	U10IR80/90/30S	4.3
900	U10IR90/90/30H	U10IR90/90/30S	4.6
1000	U10IR100/90/30H	U10IR100/90/30S	4.9

U12 Inside Riser - 90 Degrees

Size (W)	Part No.		Weight
	HG	SS	
mm			kg
100	U12IR10/90/30H	U12IR10/90/30S	3.3
150	U12IR15/90/30H	U12IR15/90/30S	3.4
200	U12IR20/90/30H	U12IR20/90/30S	3.5
300	U12IR30/90/30H	U12IR30/90/30S	3.7
400	U12IR40/90/30H	U12IR40/90/30S	3.9
450	U12IR45/90/30H	U12IR45/90/30S	4.1
500	U12IR50/90/30H	U12IR50/90/30S	4.2
600	U12IR60/90/30H	U12IR60/90/30S	4.4
700	U12IR70/90/30H	U12IR70/90/30S	5
750	U12IR75/90/30H	U12IR75/90/30S	5.2
800	U12IR80/90/30H	U12IR80/90/30S	5.3
900	U12IR90/90/30H	U12IR90/90/30S	5.6
1000	U12IR100/90/30H	U12IR100/90/30S	5.9
1200	U12IR120/90/30H	U12IR120/90/30S	

U15 Inside Riser - 90 Degrees

Size (W)	Part No.		Weight
	HG	SS	
mm			kg
100	U15IR10/90/30H	U15IR10/90/30S	4
150	U15IR15/90/30H	U15IR15/90/30S	4.1
200	U15IR20/90/30H	U15IR20/90/30S	4.2
300	U15IR30/90/30H	U15IR30/90/30S	4.4
400	U15IR40/90/30H	U15IR40/90/30S	4.6
450	U15IR45/90/30H	U15IR45/90/30S	4.8
500	U15IR50/90/30H	U15IR50/90/30S	4.9
600	U15IR60/90/30H	U15IR60/90/30S	5.1
700	U15IR70/90/30H	U15IR70/90/30S	5.7
750	U15IR75/90/30H	U15IR75/90/30S	5.9
800	U15IR80/90/30H	U15IR80/90/30S	6
900	U15IR90/90/30H	U15IR90/90/30S	6.3
1000	U15IR100/90/30H	U15IR100/90/30S	6.6



Sold as Individual

These reducers are available in three variants and can be made to order for any stock width to any other standard width.

Variants are :

- Left Hand Reducers**
- Right Hand Reducers**
- Straight Reducers**



To calculate the correct reducer, please follow the following formula :

Choose your depth of ladder

U10 (Medium Duty) = U10
 U12 (Heavy Duty) = U12
 U15 (Extra Heavy Duty) = U15

Choose the Reducer Variant

Left hand = LR
 Right hand = RR
 Straight = SR

Choose the starting width

100mm = 10
 150mm = 15
 200mm = 20
 300mm = 30
 400mm = 40
 450mm = 45
 500mm = 50
 600mm = 60
 700mm = 70
 750mm = 75
 800mm = 80
 900mm = 90
 1000mm = 100
 1200mm = 120

and the End (reduced) width

U10

U10 SR

U10 SR 80



Sold as Individual

U10 SR 80 / 40

Gives you a U10 Straight Reducer of 800mm down to 400mm

Contact our Sales Team on 0121 580 6300 if you run into any difficulties

Cable Ladder - Accessories

Supporting Accessories for Unistrut's
Cable Ladder Solution



UNISTRUT®

Couplers

Straight Splice



Size	Part No.		Weight
	HG	SS	
U10	U10/SP/H	U10/SP/S	1.5
U12	U12/SP/H	U12/SP/S	1.7
U15	U15/SP/H	U15/SP/S	1.9



Incl Fixings



Sold as Pair

Vertical Splice



Size	Part No.		Weight
	HG	SS	
U10	U10/VSP/H	U10/VSP/S	1.9
U12	U12/VSP/H	U12/VSP/S	2.3
U15	U15/VSP/H	U15/VSP/S	2.8



Incl Fixings



Sold as Pair

Horizontal Splice



Size	Part No.		Weight
	HG	SS	
U10	U10/HSP/H	U10/HSP/S	1.6
U12	U12/HSP/H	U12/HSP/S	1.8
U15	U15/HSP/H	U15/HSP/S	2.1



Incl Fixings



Sold as Pair

Thermal Expansion Coupler



Size	Part No.		Weight
	HG	SS	
U10	U10/TEC/H	U10/TEC/S	1.5
U12	U12/TEC/H	U12/TEC/S	1.8
U15	U15/TEC/H	U15/TEC/S	2.1



Incl Fixings



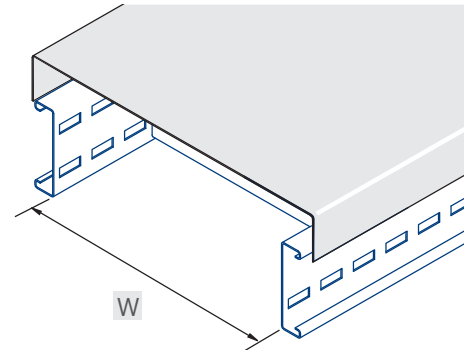
Sold as Pair

Covers - U10, U12 & U15

Cover - Straights

Type	Part No.		Tray Width mm	Std Length m
	HG	SS		
U/COV	U/COV100H	U/COV100S	100	3
U/COV	U/COV150H	U/COV150S	150	3
U/COV	U/COV200H	U/COV200S	200	3
U/COV	U/COV300H	U/COV300S	300	3
U/COV	U/COV400H	U/COV400S	400	1.5
U/COV	U/COV450H	U/COV450S	450	1.5
U/COV	U/COV500H	U/COV500S	500	1.5
U/COV	U/COV600H	U/COV600S	600	1.5
U/COV	U/COV700H	U/COV700S	700	1.5
U/COV	U/COV750H	U/COV750S	750	1.5
U/COV	U/COV800H	U/COV800S	800	1.5
U/COV	U/COV900H	U/COV900S	900	1.5
			1000	
			1200	

Other lengths available upon request

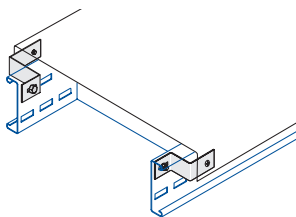


Sold as Individual

A cover for every fitting

We have custom fit covers for our entire range of lengths and fittings and can provide custom sizes if required for unique jobs. These are available upon demand - please contact our sales department for further information.

Cover Clip



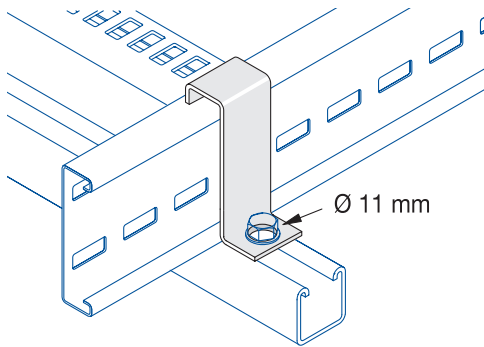
Length 1.5m - Use 4 Cover Fixings

Length 3.0m - Use 6 Cover Fixings

Part No.	Finish
	Stainless Steel or Hot Galvanised
U/COVCLIP	S or H

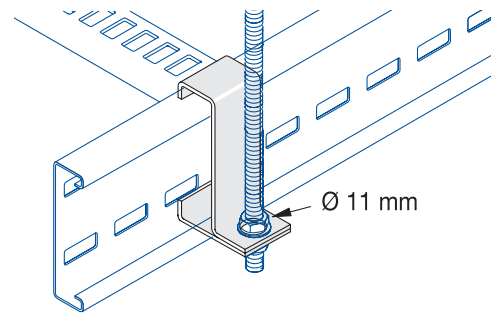
Cover clip can be orientated to achieve closed or ventilated cover

H/D Bracket



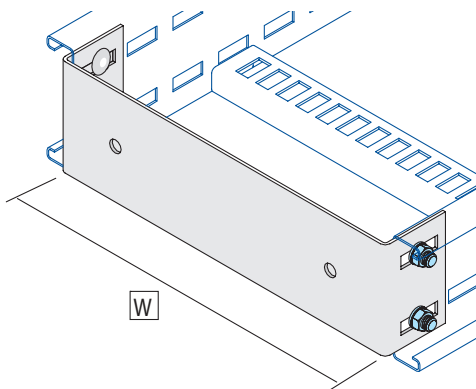
Type	Part No.	
	HG	SS
U10 / HDB	U10/HDB/H	U10/HDB/S
U12 / HDB	U12/HDB/H	U12/HDB/S
U15 / HDB	U15/HDB/H	U15/HDB/S

Suspension Clip



Type	Part No.	
	HG	SS
U10 / SC	U10/SC/H	U10/SC/S
U12 / SC	U12/SC/H	U12/SC/S
U15 / SC	U15/SC/H	U15/SC/S

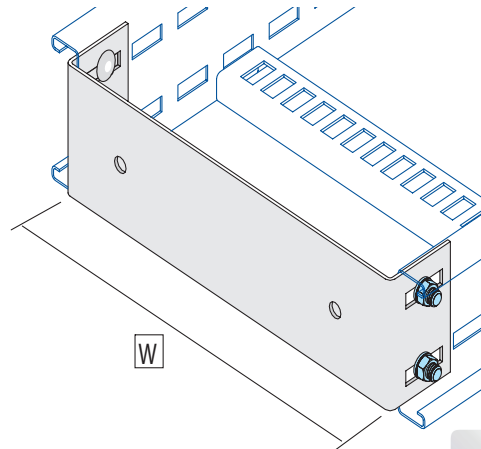
Stop End - U10



Sold as Individual

Size (W)	Part No.	
	HG	SS
mm		
150	U10/SE150/H	U10/SE150/S
300	U10/SE300/H	U10/SE300/S
450	U10/SE450/H	U10/SE450/S
600	U10/SE600/H	U10/SE600/S
750	U10/SE750/H	U10/SE750/S
900	U10/SE900/H	U10/SE900/S

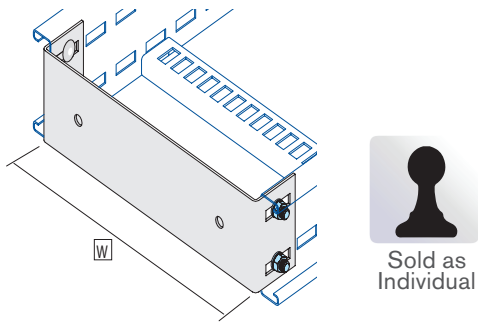
Stop End - U12



Sold as Individual

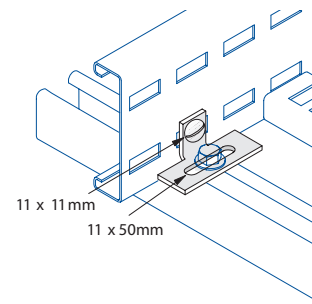
Size (W)	Part No.	
	HG	SS
mm		
150	U12/SE150/H	U12/SE150/S
300	U12/SE300/H	U12/SE300/S
450	U12/SE450/H	U12/SE450/S
600	U12/SE600/H	U12/SE600/S
750	U12/SE750/H	U12/SE750/S
900	U12/SE900/H	U12/SE900/S

Stop End - U15



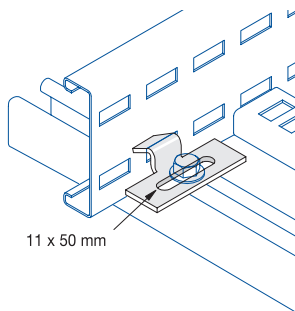
Size (W)	Part No.	
mm	HG	SS
150	U15/SE150/H	U15/SE150/S
300	U15/SE300/H	U15/SE300/S
450	U15/SE450/H	U15/SE450/S
600	U15/SE600/H	U15/SE600/S
750	U15/SE750/H	U15/SE750/S
900	U15/SE900/H	U15/SE900/S

Hold Down Bracket



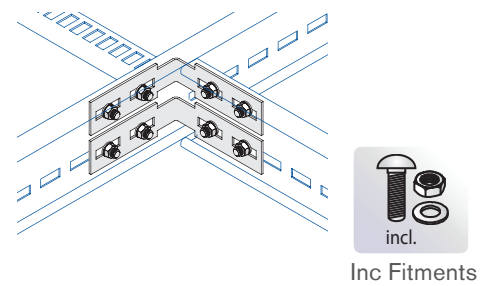
Type	Part No.	
	HG	SS
U10/HDB	U/CLAMP/H	U/CLAMP/S

Hold Down Clip



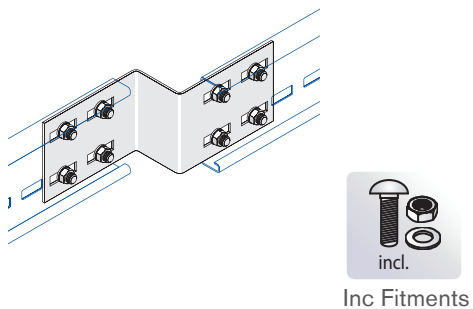
Type	Part No.	
	HG	SS
U/CLIP	U/CLIP/H	U/CLIP/S

Tee Bracket



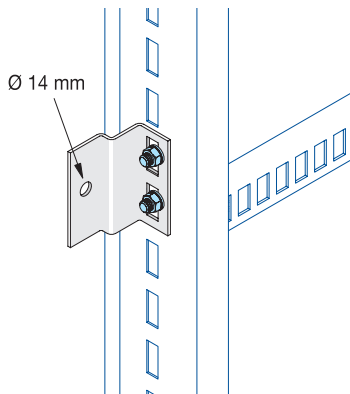
Type	Part No.		Quantity
	HG	SS	
TEE	U/2TEE/H	U/2TEE/S	2
TEE	U/2TEE/H/UN	U/2TEE/S/UN	1

Reducing Splice Plate



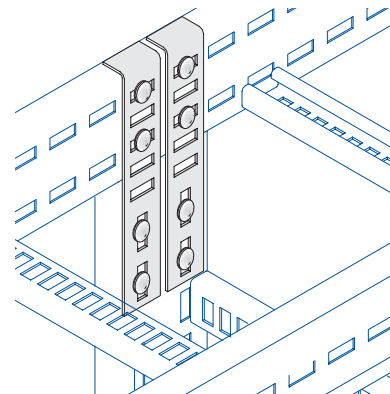
Type	Part No.	
	HG	SS
U/RSP	U/RSP/HG	U/RSP/SS

Wall Bracket



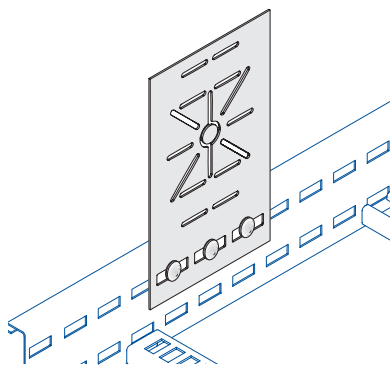
Part No.	Finish
	Stainless Steel or Hot Galvanised
U/WCH	S or H

Rail to Rail Dropper



Part No.	Finish
	Stainless Steel or Hot Galvanised
U/RRD	S or H

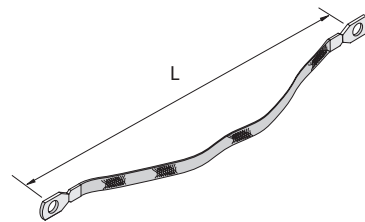
Mounting Plate



Part No.	Finish
	Stainless Steel or Hot Galvanised
U/MP	S or H

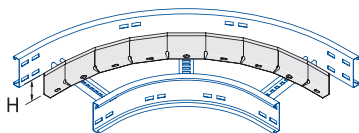
Earth Strap

Tinned Copper Braid
M10 Hole Size



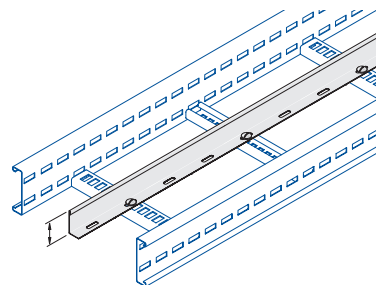
Part No.	Size (L)
UES100	100mm
UES300	300mm

Curved Divider



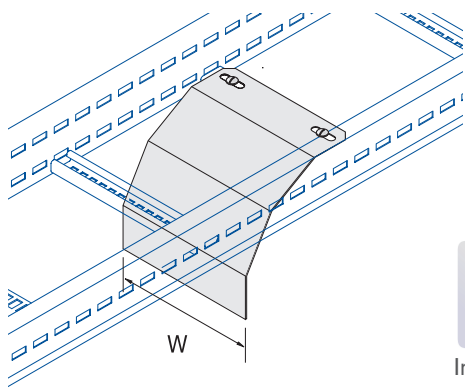
Part No.	Height	Finish
	mm	
U/CUR30	30mm	S or H
U/CUR70	70mm	H

Straight Divider



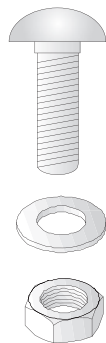
Part No.	Height	Finish
	mm	
U/DIV30	30mm	S or H
U/DIV70	70mm	S or H

Cable Drop Out



Part No.	Size (W)	Finish
	mm	
U/DO/150	145mm	S or H
U/DO/200	195mm	S or H
U/DO/300	295mm	S or H

Ladder Fixing Set



Part No.	Finish
	Stainless Steel or Hot Galvanised
U/FIX16M10	S or H

Pack of 16 (nuts, bolts and washers)

Cable Ladder - Technical Data

Technical information for Unistrut's
Cable Ladder System

UNISTRUT®

Materials and Finish

Hot-Dip Galvanized [HDG]

Cable trays, brackets, cantilever arms and fittings can be hot-dip galvanized in accordance with BS EN ISO1461:2009 and chromate passivated.

The minimum average Zinc Coating is as follows:

Cold Rolled From 1.5mm Steel – 55 microns

2.5mm Steel – 55 microns

Fittings spun galvanized – 45 microns

• Mild Steel - BS EN 10149-3 grade S280 - min.yield 280 n/mm² - UTS 370 n/mm²

Deep Hot Dip Galvanised

• BS EN 10025 S275JO+AR+CL1 or equivalent/better. 2mm min. thick material.

Stainless Steel [SS]

• Stainless Steel 1.4301 (304)

• Stainless Steel 1.4404 (316L)

• Hot Rolled to B.S.EN10088-2-1.4404+1D.

• Cleaned (Pickled & Passivated) Applying a pickling process to stainless steel results in a clean product and it also removes any heat discolouration that has occurred in the welding process.

SPECIAL COATINGS AND MATERIAL GRADES ARE AVAILABLE ON REQUEST

Certification and Quality Standards

BS EN 61537:2007


ISO 9001 - quality system certification

ISO 14001 - environment certification


ISO 18001 - health and safety certification

Useful Cross Section


Type U10

Width	 Useful cross section
mm	(cm ²)
100	75
150	113
200	150
300	225
400	300
450	338
500	375
600	450
750	563
800	600
900	650
1000	750

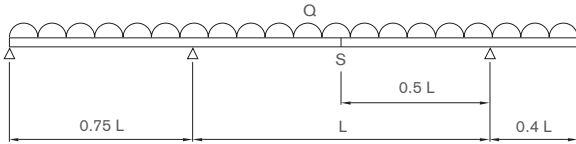
Type U12

Width	 Useful cross section
mm	(cm ²)
100	100
150	150
200	200
300	300
400	400
450	450
500	500
600	600
750	750
800	800
900	900
1000	1000

Type U15

Width	 Useful cross section
mm	(cm ²)
100	125
150	188
200	250
300	375
400	500
450	563
500	625
600	750
750	938
800	1000
900	1125
1000	1250

Stated loadings apply to mild steel products only.



Load test according to CEI/IEC 61537:2001

Q = UDL (uniformly distributed load)

Safety Factor = 1.7

L = intermediate span

F = deflection = 1/100 of the intermediate span (max.)

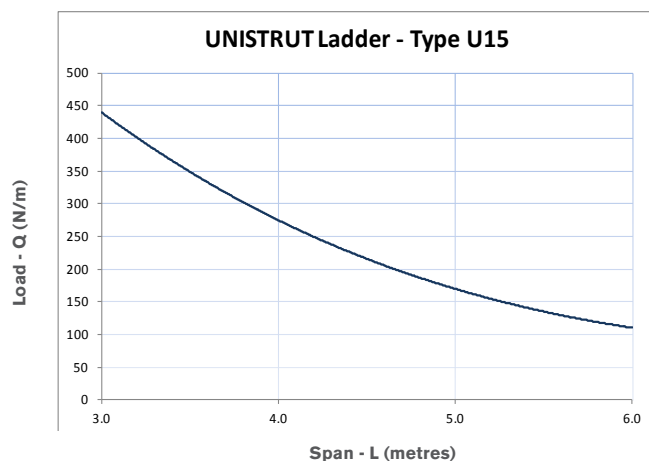
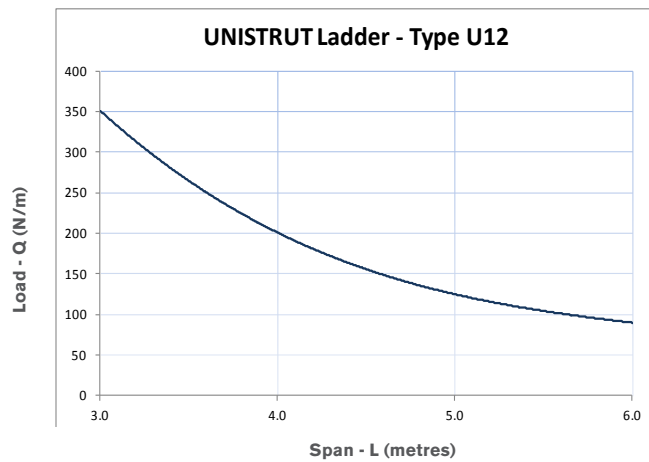
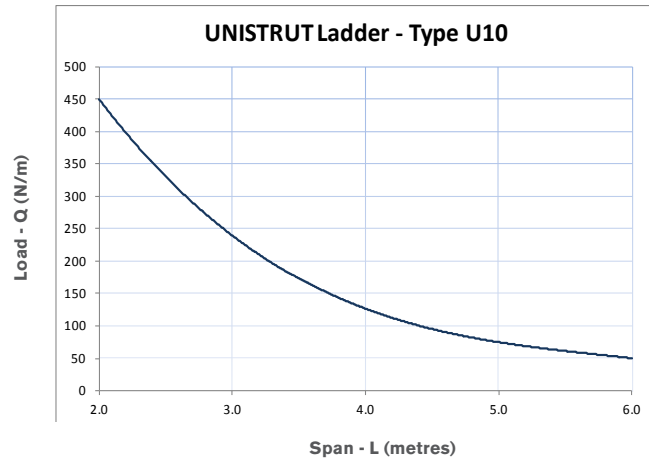
S = splice location

Unistrut's load testing is in accordance with CEI/IEC 61537:2001. In practical terms this covers continuous/multi span installations, evenly loaded along the length of, and across the full width of the ladder. The end spans in these installations should be reduced to 0.75 of the intermediate spans.

Deflection: Unistrut's load and deflection figures are in accordance with CEI/IEC 61537:2001, with the characteristic deflection of Unistrut Cable Ladder limited to span/100, and load figures inclusive of a safety factor of 1.7.

Accessories: To ensure adequate support, accessories should be supported locally.

Couplers: The loading and deflection tables for Unistrut Cable Ladder assume that the couplers are located at the most onerous position within the span (i.e. mid span). To maintain the load/deflection figures stated in the tables, the couplers should not be located in end spans or over support locations. Only one pair of couplers should be installed per span.

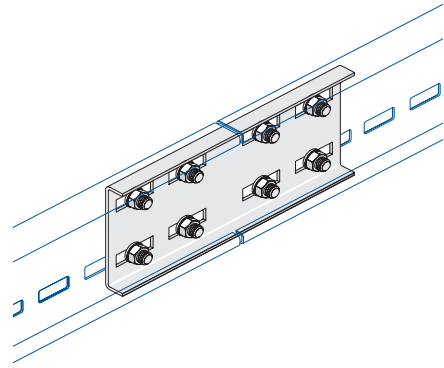


Couplers

SP Coupler (Straight Splice)

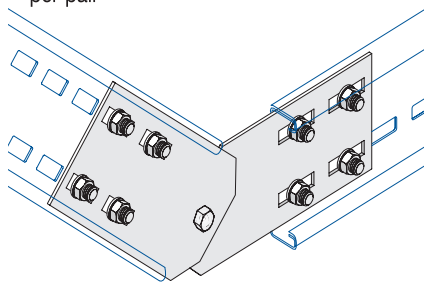
2x Straight Splices with fasteners included

For use in joining flat sections (straights and curves)



VSP Coupler (Vertical Splice)

per pair



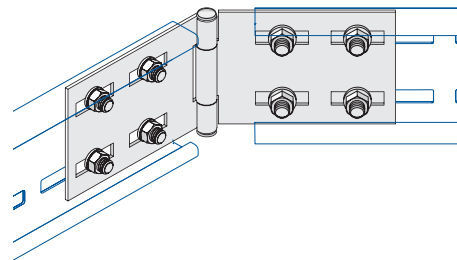
2x Vertical Splices with fittings included

For use in creating an adjustable riser.

HSP Coupler (Horizontal Splice)

2x Horizontal Splices with fittings included

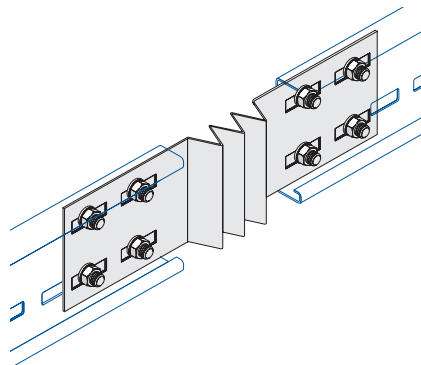
A hinged splice to allow straights to connect at varying angles.



TEC Coupler (Thermal Expansion Coupler)

2x Thermal Expansion Couplers with fittings included

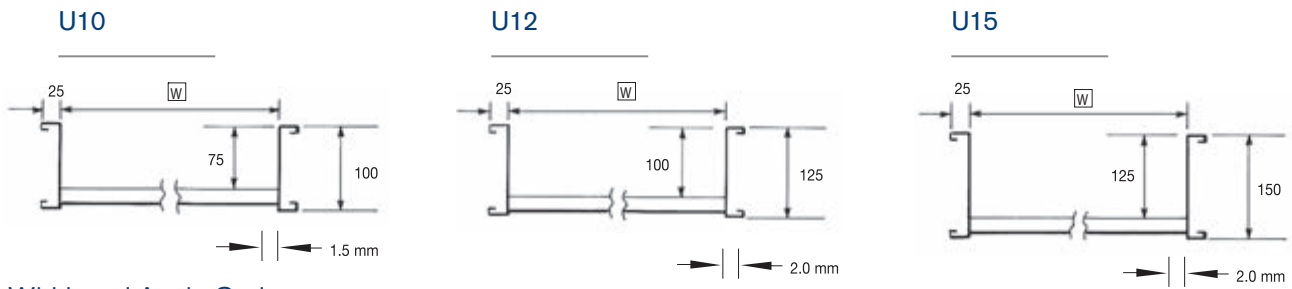
To compensate for thermal expansion.



Size and Angle Codes

Our fittings come in a wide variety of widths, radii and angles (where appropriate). Many of these are standard factory items and the rest are available upon request.

Unless specified, figures are in millimeters (mm)



Width and Angle Codes

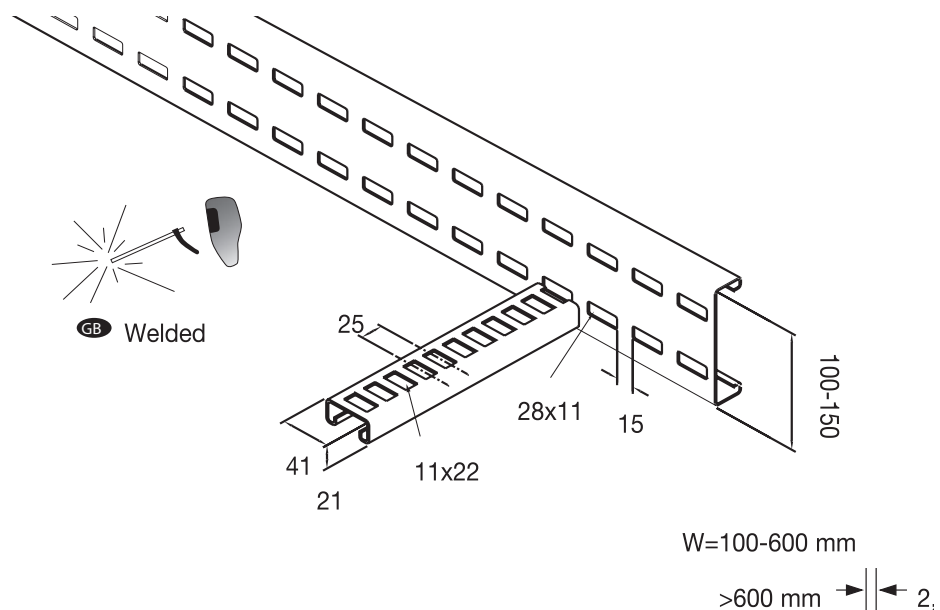
Standard Widths (W)		By Request
Code	Width	
10	100mm	By Request
15	150mm	
20	200mm	By Request
30	300mm	
40	400mm	By Request
45	450mm	
50	500mm	By Request
60	600mm	
70	700mm	By Request
75	750mm	
80	800mm	By Request
90	900mm	
100	1000mm	By Request

Angles (D)		By Request
Width	Angle	
30	30	By Request
45	45	
60	60	By Request
90	90	

Radii (R)	
Code	Width
30	300mm*
45	450mm
60	600mm
75	750mm
90	900mm

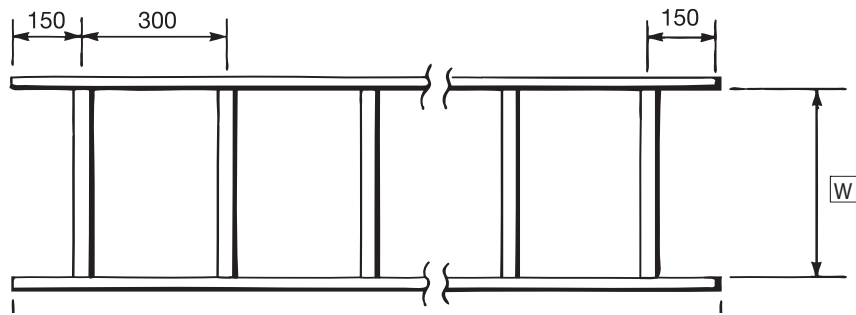
*Standard

Rung Dimensions

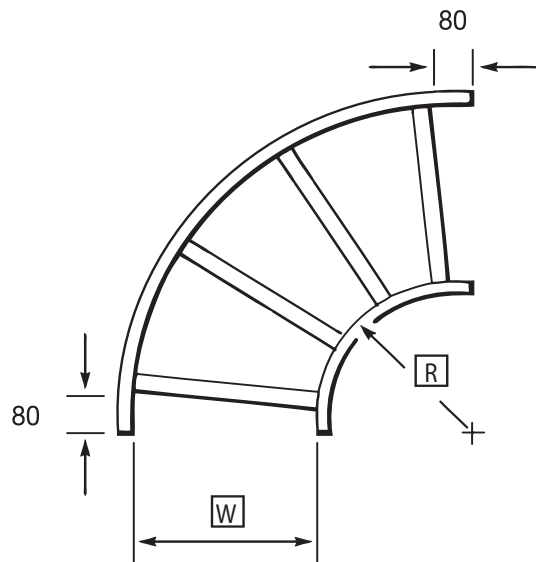
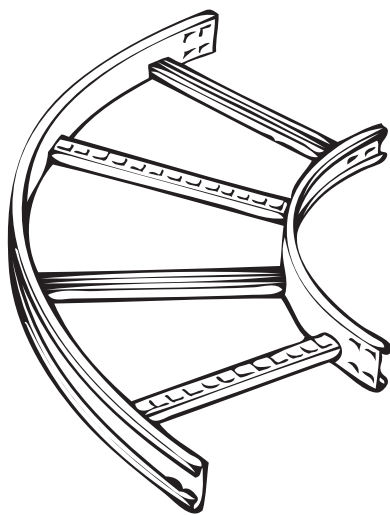


Fittings

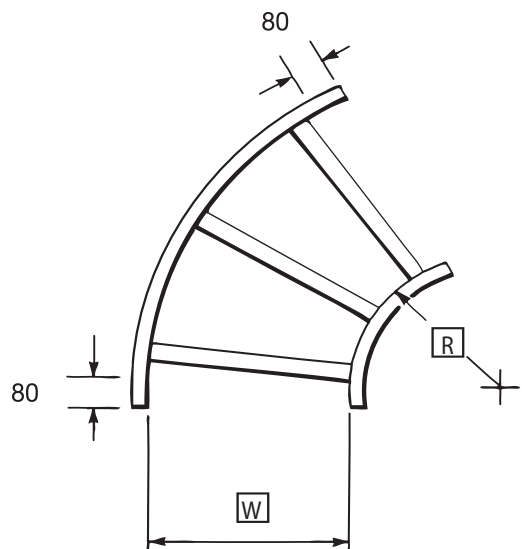
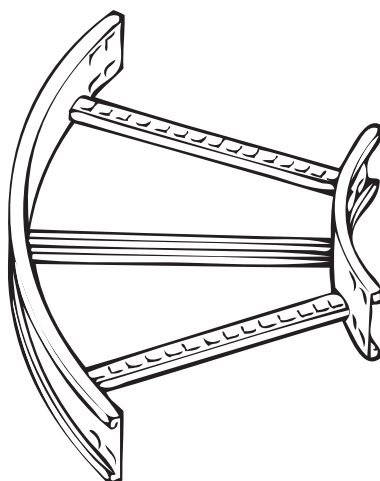
Rung Distance



90 Deg Flat Bend

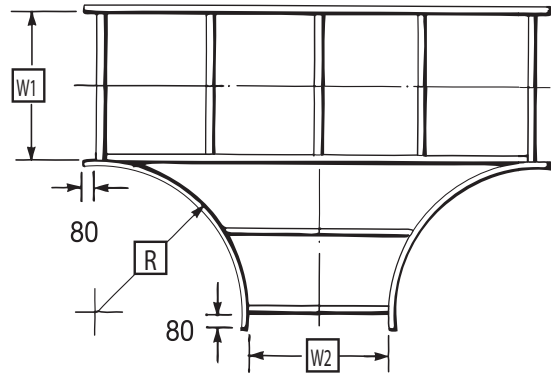
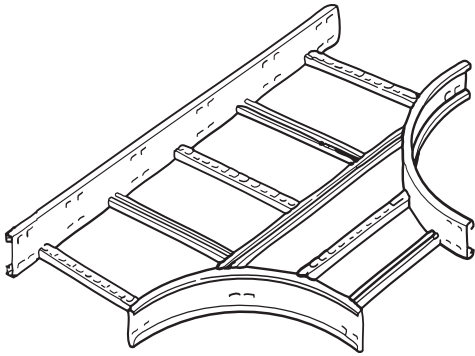


45 Deg Flat Bend

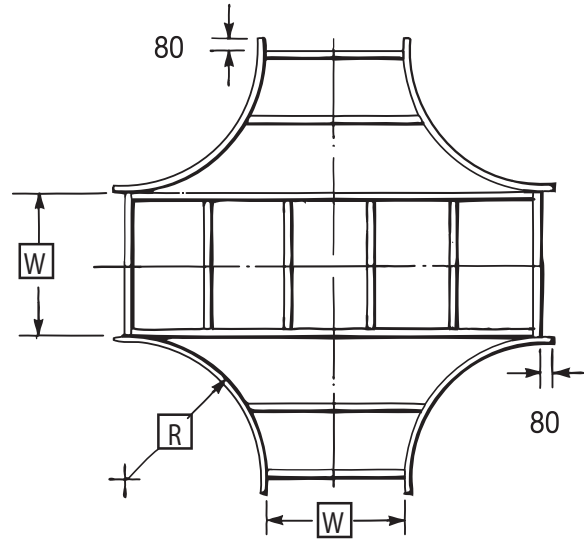
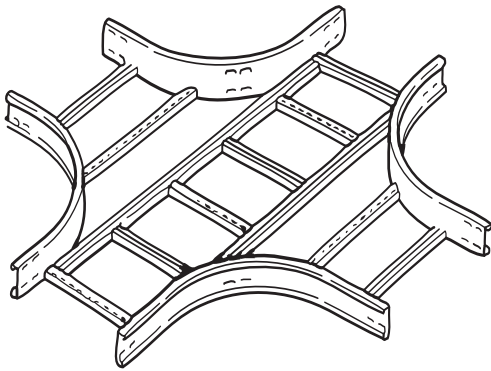


Please use codes on page 86 for [W], [R] and [D]

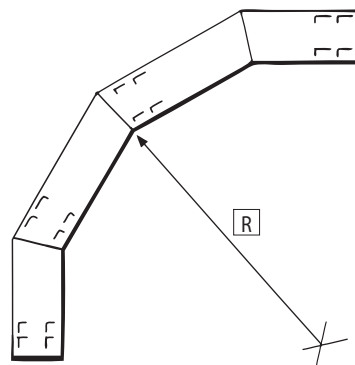
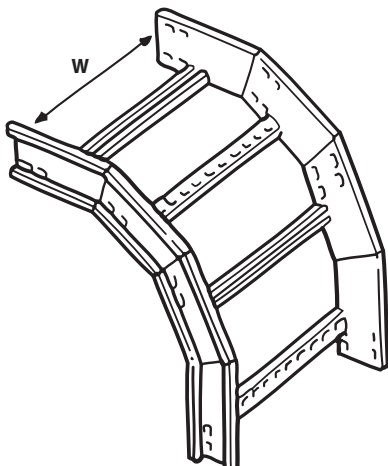
Equal Tee



Equal Cross

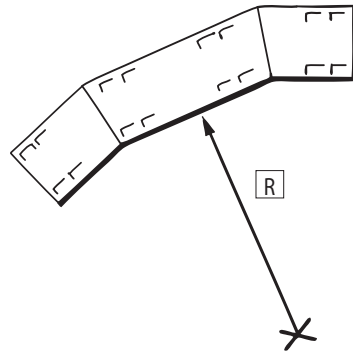
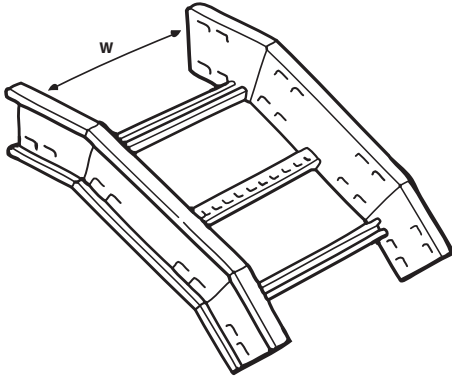


Outside Riser - 90 Degrees

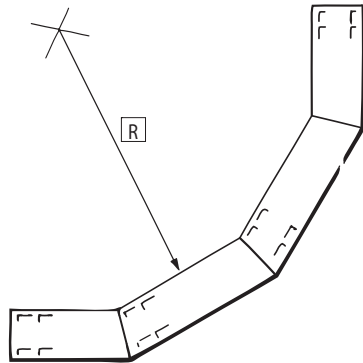
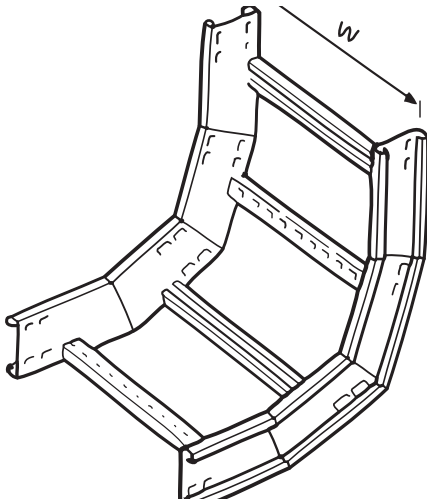


Please use codes on page 86 for [W], [R] and [D]

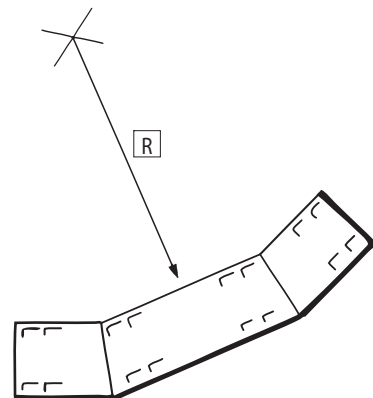
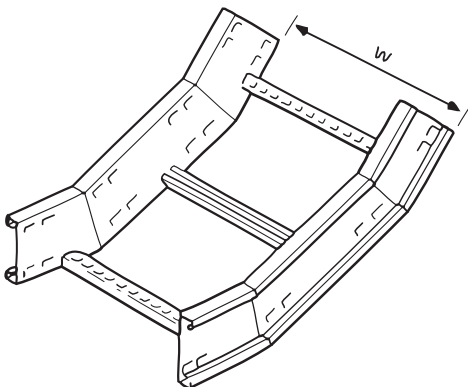
Outside Riser - 45 Degrees



Inside Riser 90 Degrees



Inside Riser 45 Degrees



Please use codes on page 86 for [W], [R] and [D]

Cable Trunking

Original Unistrut® Cable Trunking System

UNISTRUT®

Unistrut Cable Trunking



Unique 'Positive Lock' lid lock

Take the guess work out of installing. Our unique system locks into place to make fitting the lids a fast and secure process.

Material Finish

Pre-Galvanised Steel BS EN 10346 Z275

Tamper Proof

Tamper proof lids and screws available as an additional option.

See page 127 for more information.

IP4X

Unistrut's cable trunking can be made impenetrable up to IP4X at all joints.

See page 127 for more information.

Available as Lighting Trunking

Our lighting trunking is loaded with the same innovations and quality standard as ours standard trunking range

Trunking manufactured to standards:

BS EN 50085-1:2005 Cable trunking systems and cable ducting systems for electrical installations part 1 general requirements.

BS EN 50085-1:2006 Cable trunking systems and cable ducting systems for electrical installations part 2-1.

Standard Trunking - 3 metre lengths

Steel trunking system, rigid and strong. Each 3 metre length supplied with a connector, lid and fixings. The innovative locator system allows for secure locking of the lid to the unit.



IP4X and Tamper Proof options available

Size	Product Code*	Finish
mm		
50 x 50	RU22	PG
75 x 50	RU32	PG
75 x 75	RU33	PG
100 x 50	RU42	PG
100 x 75	RU43	PG
100 x 100	RU44	PG
150 x 50	RU62	PG
150 x 75	RU63	PG
150 x 100	RU64	PG
150 x 150	RU66	PG
225 x 50	RU92	PG
225 x 75	RU93	PG
225 x 100	RU94	PG
225 x 150	RU96	PG
225 x 225	RU99	PG
300 x 75	RU123	PG
300 x 100	RU124	PG
300 x 150	RU126	PG
300 x 300	RU1212	PG



Incl. Fitments



Sold as individual

*Other sizes available upon request.

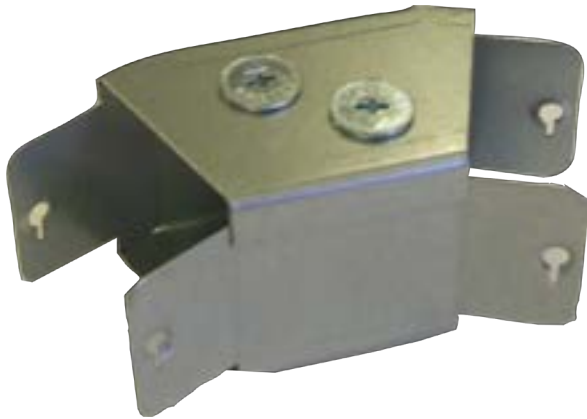
Cable Trunking Fittings

Fittings for Unistrut® Cable Trunking

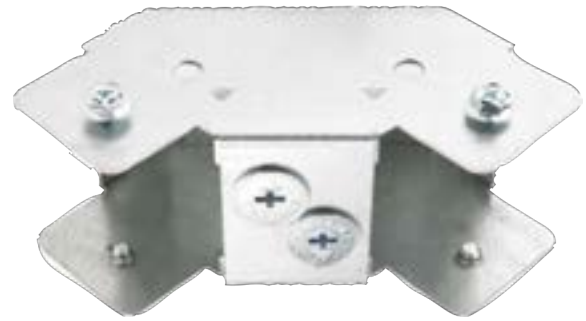
UNISTRUT®

45 Degree Bends

Top Lid 45 Degree Bends



Inside Lid 45 Degree Bends



IP4X and Tamper Proof options available

Size	Product Code*	Finish
mm	Single	
50 x 50	RU22GBT45	PG
75 x 50	RU32GBT45	PG
75 x 75	RU33GBT45	PG
100 x 50	RU42GBT45	PG
100 x 75	RU43GBT45	PG
100 x 100	RU44GBT45	PG
150 x 50	RU62GBT45	PG
150 x 75	RU63GBT45	PG
150 x 100	RU64GBT45	PG
150 x 150	RU66GBT45	PG
225 x 50	RU92GBT45	PG
225 x 75	RU93GBT45	PG
225 x 100	RU94GBT45	PG
225 x 150	RU96GBT45	PG
225 x 225	RU99GBT45	PG
300 x 75	RU123GBT45	PG
300 x 100	RU124GBT45	PG
300 x 150	RU126GBT45	PG
300 x 300	RU1212GBT45	PG



Incl. Fitments



Sold as Individual

Size	Product Code*	Finish
mm	Single	
50 x 50	RU22GBI45	PG
75 x 50	RU32GBI45	PG
75 x 75	RU33GBI45	PG
100 x 50	RU42GBI45	PG
100 x 75	RU43GBI45	PG
100 x 100	RU44GBI45	PG
150 x 50	RU62GBI45	PG
150 x 75	RU63GBI45	PG
150 x 100	RU64GBI45	PG
150 x 150	RU66GBI45	PG
225 x 50	RU92GBI45	PG
225 x 75	RU93GBI45	PG
225 x 100	RU94GBI45	PG
225 x 150	RU96GBI45	PG
225 x 225	RU99GBI45	PG
300 x 75	RU123GBI45	PG
300 x 100	RU124GBI45	PG
300 x 150	RU126GBI45	PG
300 x 300	RU1212GBI45	PG



Incl. Fitments



Sold as Individual

*Add 2C for 2 compartment or 3C for 3 compartment variation.
e.g. RU22GBT452C

45 Degree Bends

Outside Lid 45 Degree Bends



Size	Product Code*	Finish
mm	Single	
50 x 50	RU22GBO45	PG
75 x 50	RU32GBO45	PG
75 x 75	RU33GBO45	PG
100 x 50	RU42GBO45	PG
100 x 75	RU43GBO45	PG
100 x 100	RU44GBO45	PG
150 x 50	RU62GBO45	PG
150 x 75	RU63GBO45	PG
150 x 100	RU64GBO45	PG
150 x 150	RU66GBO45	PG

Size	Product Code*	Finish
mm	Single	
225 x 50	RU92GBO45	PG
225 x 75	RU93GBO45	PG
225 x 100	RU94GBO45	PG
225 x 150	RU96GBO45	PG
225 x 225	RU99GBO45	PG
300 x 75	RU123GBO45	PG
300 x 100	RU124GBO45	PG
300 x 150	RU126GBO45	PG
300 x 300	RU1212GBO45	PG

IP4X and Tamper Proof options available



Inc Fittings



Sold as Individual

90 Degree Bends

Top Lid 90 Degree Bend - Gusset



Size	Product Code*	Finish
mm		
50 x 50	RU22GBT90	PG
75 x 50	RU32GBT90	PG
75 x 75	RU33GBT90	PG
100 x 50	RU42GBT90	PG
100 x 75	RU43GBT90	PG
100 x 100	RU44GBT90	PG
150 x 50	RU62GBT90	PG
150 x 75	RU63GBT90	PG
150 x 100	RU64GBT90	PG
150 x 150	RU66GBT90	PG

Size	Product Code*	Finish
mm		
225 x 50	RU92GBT90	PG
225 x 75	RU93GBT90	PG
225 x 100	RU94GBT90	PG
225 x 150	RU96GBT90	PG
225 x 225	RU99GBT90	PG
300 x 75	RU123GBT90	PG
300 x 100	RU124GBT90	PG
300 x 150	RU126GBT90	PG
300 x 300	RU1212GBT90	PG

IP4X and Tamper Proof options available



Inc Fittings



Sold as Individual

90 Degree Bends

Top Lid 90 Degree Bend - Square



Inside Lid 90 Degree Bend - Gusset



IP4X and Tamper Proof options available

Size	Product Code*	Finish
mm		
50 x 50	RU22SBT90	PG
75 x 50	RU32SBT90	PG
75 x 75	RU33SBT90	PG
100 x 50	RU42SBT90	PG
100 x 75	RU43SBT90	PG
100 x 100	RU44SBT90	PG
150 x 50	RU62SBT90	PG
150 x 75	RU63SBT90	PG
150 x 100	RU64SBT90	PG
150 x 150	RU66SBT90	PG
225 x 50	RU92SBT90	PG
225 x 75	RU93SBT90	PG
225 x 100	RU94SBT90	PG
225 x 150	RU96SBT90	PG
225 x 225	RU99SBT90	PG
300 x 75	RU123SBT90	PG
300 x 100	RU124SBT90	PG
300 x 150	RU126SBT90	PG
300 x 300	RU1212SBT90	PG

Size	Product Code*	Finish
mm	Single	
50 x 50	RU22GBI90	PG
75 x 50	RU32GBI90	PG
75 x 75	RU33GBI90	PG
100 x 50	RU42GBI90	PG
100 x 75	RU43GBI90	PG
100 x 100	RU44GBI90	PG
150 x 50	RU62GBI90	PG
150 x 75	RU63GBI90	PG
150 x 100	RU64GBI90	PG
150 x 150	RU66GBI90	PG
225 x 50	RU92GBI90	PG
225 x 75	RU93GBI90	PG
225 x 100	RU94GBI90	PG
225 x 150	RU96GBI90	PG
225 x 225	RU99GBI90	PG
300 x 75	RU123GBI90	PG
300 x 100	RU124GBI90	PG
300 x 150	RU126GBI90	PG
300 x 300	RU1212GBI90	PG



Inc Fitments



Sold as Individual



Inc Fitments



Sold as Individual

*Add 2C for 2 compartment or 3C for 3 compartment variation.
e.g. RU22GBT902C

90 Degree Bends

Inside Lid 90 Degree Bend - Square



Outside Lid 90 Degree Bend - Gusset



IP4X and Tamper Proof options available

Size	Product Code*	Finish
mm	Single	
50 x 50	RU22SBI90	PG
75 x 50	RU32SBI90	PG
75 x 75	RU33SBI90	PG
100 x 50	RU42SBI90	PG
100 x 75	RU43SBI90	PG
100 x 100	RU44SBI90	PG
150 x 50	RU63SBI90	PG
150 x 75	RU62SBI90	PG
150 x 100	RU64SBI90	PG
150 x 150	RU66SBI90	PG
225 x 50	RU92SBI90	PG
225 x 75	RU93SBI90	PG
225 x 100	RU94SBI90	PG
225 x 150	RU96SBI90	PG
225 x 225	RU99SBI90	PG
300 x 75	RU123SBI90	PG
300 x 100	RU124SBI90	PG
300 x 150	RU126SBI90	PG
300 x 300	RU1212SBI90	PG



Inc Fitments



Sold as Individual

Size	Product Code*	Finish
mm	Single	
50 x 50	RU22GBO90	PG
75 x 50	RU32GBO90	PG
75 x 75	RU33GBO90	PG
100 x 50	RU42GBO90	PG
100 x 75	RU43GBO90	PG
100 x 100	RU44GBO90	PG
150 x 50	RU62GBO90	PG
150 x 75	RU63GBO90	PG
150 x 100	RU64GBO90	PG
150 x 150	RU66GBO90	PG
225 x 50	RU92GBO90	PG
225 x 75	RU93GBO90	PG
225 x 100	RU94GBO90	PG
225 x 150	RU96GBO90	PG
225 x 225	RU99GBO90	PG
300 x 75	RU123GBO90	PG
300 x 100	RU124GBO90	PG
300 x 150	RU126GBO90	PG
300 x 300	RU1212GBO90	PG



Inc Fitments



Sold as Individual

*Add 2C for 2 compartment or 3C for 3 compartment variation.
e.g. RU22GBI902C

90 Degree Bends & Tees

Outside Lid 90 Degree Square



Size	Product Code*	Finish
mm	Single	
50 x 50	RU22SBO90	PG
75 x 50	RU32SBO90	PG
75 x 75	RU33SBO90	PG
100 x 50	RU42SBO90	PG
100 x 75	RU43SBO90	PG
100 x 100	RU44SBO90	PG
150 x 50	RU62SBO90	PG
150 x 75	RU63SBO90	PG
150 x 100	RU64SBO90	PG
150 x 150	RU66SBO90	PG
225 x 50	RU92SBO90	PG
225 x 75	RU93SBO90	PG
225 x 100	RU94SBO90	PG
225 x 150	RU96SBO90	PG
225 x 225	RU99SBO90	PG
300 x 75	RU123SBO90	PG
300 x 100	RU124SBO90	PG
300 x 150	RU126SBO90	PG
300 x 300	RU1212SBO90	PG

incl.
Inc FitmentsSold as
Individual

*Add 2C for 2 compartment or 3C for 3 compartment variation.
e.g. RU22GBO902C

Top lid Tees - Gusset



Size	Product Code*	Finish
mm	Single	
50 x 50	RU22GTT	PG
75 x 50	RU32GTT	PG
75 x 75	RU33GTT	PG
100 x 50	RU42GTT	PG
100 x 75	RU43GTT	PG
100 x 100	RU44GTT	PG
150 x 50	RU62GTT	PG
150 x 75	RU63GTT	PG
150 x 100	RU64GTT	PG
150 x 150	RU66GTT	PG
225 x 50	RU92GTT	PG
225 x 75	RU93GTT	PG
225 x 100	RU94GTT	PG
225 x 150	RU96GTT	PG
225 x 225	RU99GTT	PG
300 x 75	RU123GTT	PG
300 x 100	RU124GTT	PG
300 x 150	RU126GTT	PG
300 x 300	RU1212GTT	PG

incl.
Inc FitmentsSold as
Individual

*Add 2C for 2 compartment or 3C for 3 compartment variation.
e.g. RU22GTT2C

Tees

Top lid Tees - Square



Inside lid Tees - Gusset



IP4X and Tamper Proof options available

Size	Product Code*	Finish
mm	Single	
50 x 50	RU22SBTT90	PG
75 x 50	RU32SBTT90	PG
75 x 75	RU33SBTT90	PG
100 x 50	RU42SBTT90	PG
100 x 75	RU43SBTT90	PG
100 x 100	RU44SBTT90	PG
150 x 50	RU62SBTT90	PG
150 x 75	RU63SBTT90	PG
150 x 100	RU64SBTT90	PG
150 x 150	RU66SBTT90	PG
225 x 50	RU92SBTT90	PG
225 x 75	RU93SBTT90	PG
225 x 100	RU94SBTT90	PG
225 x 150	RU96SBTT90	PG
225 x 225	RU99SBTT90	PG
300 x 75	RU123SBTT90	PG
300 x 100	RU124SBTT90	PG
300 x 150	RU126SBTT90	PG
300 x 300	RU1212SBTT90	PG



Inc Fitments



Sold as Individual

Size	Product Code*	Finish
mm	Single	
50 x 50	RU22GTI	PG
75 x 50	RU32GTI	PG
75 x 75	RU33GTI	PG
100 x 50	RU42GTI	PG
100 x 75	RU43GTI	PG
100 x 100	RU44GTI	PG
150 x 50	RU62GTI	PG
150 x 75	RU63GTI	PG
150 x 100	RU64GTI	PG
150 x 150	RU66GTI	PG
225 x 50	RU92GTI	PG
225 x 75	RU93GTI	PG
225 x 100	RU94GTI	PG
225 x 150	RU96GTI	PG
225 x 225	RU99GTI	PG
300 x 75	RU123GTI	PG
300 x 100	RU124GTI	PG
300 x 150	RU126GTI	PG
300 x 300	RU1212GTI	PG



Inc Fitments



Sold as Individual

*Add 2C for 2 compartment or 3C for 3 compartment variation.
e.g. RU22SBTT902C

Tees & Crossovers

Outside lid Tees - Gusset



Cross Overs



IP4X and Tamper Proof options available

Size	Product Code*	Finish
mm	Single	
50 x 50	RU22GTO	PG
75 x 50	RU32GTO	PG
75 x 75	RU33GTO	PG
100 x 50	RU42GTO	PG
100 x 75	RU43GTO	PG
100 x 100	RU44GTO	PG
150 x 50	RU62GTO	PG
150 x 75	RU63GTO	PG
150 x 100	RU64GTO	PG
150 x 150	RU66GTO	PG
225 x 50	RU92GTO	PG
225 x 75	RU93GTO	PG
225 x 100	RU94GTO	PG
225 x 150	RU96GTO	PG
225 x 225	RU99GTO	PG
300 x 75	RU123GTO	PG
300 x 100	RU124GTO	PG
300 x 150	RU126GTO	PG
300 x 300	RU1212GTO	PG

Size	Product Code*	Finish
mm		
50 x 50	RU22GFT	PG
75 x 50	RU32GFT	PG
75 x 75	RU33GFT	PG
100 x 50	RU42GFT	PG
100 x 75	RU43GFT	PG
100 x 100	RU44GFT	PG
150 x 50	RU62GFT	PG
150 x 75	RU63GFT	PG
150 x 100	RU64GFT	PG
150 x 150	RU66GFT	PG
225 x 50	RU92GFT	PG
225 x 75	RU93GFT	PG
225 x 100	RU94GFT	PG
225 x 150	RU96GFT	PG
225 x 225	RU99GFT	PG
300 x 75	RU123GFT	PG
300 x 100	RU124GFT	PG
300 x 150	RU126GFT	PG
300 x 300	RU1212GFT	PG



Incl. Fitments



Sold as Individual



Incl. Fitments



Sold as Individual

*Add 2C for 2 compartment or 3C for 3 compartment variation.
e.g. RU22GFT2C

Bell Mouth

Bell Mouth



Incl. Fitments



Sold as Individual

Size	Product Code*	Finish
mm		
50 x 50	RU22B	PG
75 x 50	RU32B	PG
75 x 75	RU33B	PG
100 x 50	RU42B	PG
100 x 75	RU43B	PG
100 x 100	RU44B	PG
150 x 50	RU62B	PG
150 x 75	RU63B	PG
150 x 100	RU64B	PG
150 x 150	RU66B	PG

Size	Product Code*	Finish
mm		
225 x 50	RU92B	PG
225 x 75	RU93B	PG
225 x 100	RU94B	PG
225 x 150	RU96B	PG
225 x 225	RU99B	PG
300 x 75	RU123B	PG
300 x 100	RU124B	PG
300 x 150	RU126B	PG
300 x 300	RU1212B	PG

Reducer

Trunking Reducers



Sold as Individual

Reducers for Standard Trunking - Reducer size (mm) (from - to) / Size code (from - to)

From (mm)/ To (mm)	50 x 50	75 x 50	75 x 75	100 x 50	100 x 75	100 x 100	150 x 50	150 x 75	150 x 100
75 x 50	RU3222R	-	-	-	-	-	-	-	-
75 x 75	RU3322R	RU3332R	-	-	-	-	-	-	-
100 x 50	RU4222R	RU4232R	-	-	-	-	-	-	-
100 x 75	RU4322R	RU4332R	RU4333R	RU4342R	-	-	-	-	-
100 x 100	RU4422R	RU4432R	RU4433R	RU4442R	RU4443R	-	-	-	-
150 x 50	RU6222R	RU6232R	-	RU6242R	-	-	-	-	-
150 x 75	RU6322R	RU6332R	RU6333R	RU6342R	RU6343R	-	RU6362R	-	-
150 x 100	RU6422R	RU6432R	RU6433R	RU6442R	RU6443R	RU6444R	RU6462R	RU6463R	-
150 x 150	RU6622R	RU6632R	RU6633R	RU6642R	RU6643R	RU6644R	RU6662R	RU6663R	RU6664R

All Trunking lids can be fastened with tamper-proof screws into hank bushes which are secured into the return flange of the trunking body. There are 6 fixing points per side as standard giving 12 secure fixings in total. This can be increased if required to suit the intended usage environment.

The system can also include a steel gauge up to 1.5mm thick if required to further enhance it and provide greater physical strength. The trunking system can be made impenetrable up to IP4X at all joints to stop foreign objects over 1.0mm gaining access to the cables within.

Unistrut's IP4X systems are independently tested to IEC 60529:3013. IP4X systems BS7671 IET IP4X compliant.



Code	Degree of protection (solids)
0	No protection
1	Protection against large foreign bodies (diameter <50mm)
2	Protection against medium foreign bodies (diameter <12.5mm)
3	Protection against small foreign bodies (diameter <2.5mm)
4	Protection against small foreign bodies (diameter <1mm)
5	Dust protected
6	Dust-tight

IP4X Ordering Guide

To make Unistrut trunking meet IP4X, the relevant strap must be ordered.

Or alternatively, order the full IP4X system as per table below.

Example, for a 2 x 2 IP4X compliant straight, you would need: **1 x RU22** & **1 x RU22IP4XS**

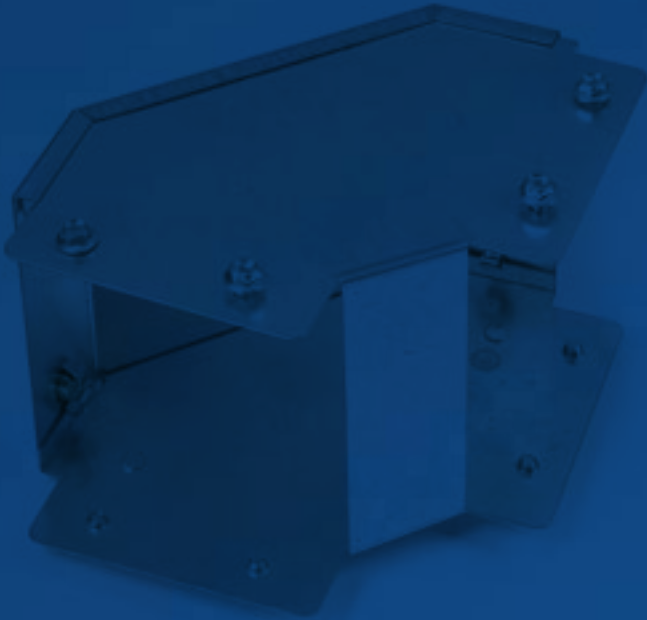
Standard Part Number		IP4X Straps Only	Full IP4X System
Part No.	Description	Part No.	Part No.
RU**	* X * Galv Trunking 3M Length	RU**IP4XS	RU**IP4X
RU**GBT90	* X * Gusset Bend 90° Top Lid	RU**GBT90IP4XS	RU**GBT90IP4X
RU**GBT45	* X * Gusset Bend 45° Top Lid	RU**GBT45IP4XS	RU**GBT45IP4X
RU**GBI90	* X * Gusset Bend 90° Inside Lid	RU**GBI90IP4XS	RU**GBI90IP4X
RU**GBI45	* X * Gusset Bend 45° Inside Lid	RU**GBI45IP4XS	RU**GBI45IP4X
RU**GBO90	* X * Gusset Bend 90° Outside Lid	RU**GBO90IP4XS	RU**GBO90IP4X
RU**GBO45	* X * Gusset Bend 45° Outside Lid	RU**GBO45IP4XS	RU**GBO45IP4X
RU**GTT	* X * Gusset Tee Top Lid	RU**GTTIP4XS	RU**GTTIP4X
RU**GTI	* X * Gusset Tee Inside Lid	RU**GTIIP4XS	RU**GTIIP4X
RU**GTO	* X * Gusset Tee Outside Lid	RU**GTOIP4XS	RU**GTOIP4X
RU**GFT	* X * Gusset Fourway Top Lid	RU**GFTIP4XS	RU**GFTIP4X
RU**SBT90	* X * 90° Top Lid - Sharp Bend	RU**SBT90IP4XS	RU**SBT90IP4X
RU**SBI90	* X * 90° Inside Lid - Sharp Bend	RU**SBI90IP4XS	RU**SBI90IP4X
RU**SBO90	* X * 90° Outside Lid - Sharp Bend	RU**SBO90IP4XS	RU**SBO90IP4X
RU**SBTT90	* X * 90° Top Lid Tee - Sharp Bend	RU**SBTT90IP4XS	RU**SBTT90IP4X
RU***R	Reducer * X * to * X *	RU***RIP4XS	RU***RIP4X
RU**E	* X * Stop End	RU**EIP4XS	RU**EIP4X

** = Trunking Size (Inch x Inch)

Contact us for more information

Accessories

Accessories for Unistrut's Cable Trunking



UNISTRUT®

Standard Trunking Accessories

Stop Ends



Sold as Individual



Incl. Fitments

Size	Product Code
mm	
50 x 50	RU22E
75 x 50	RU32E
75 x 75	RU33E
100 x 50	RU42E
100 x 75	RU43E
100 x 100	RU44E
150 x 50	RU62E
150 x 75	RU63E
150 x 100	RU64E
150 x 150	RU66E
225 x 50	RU92E
225 x 75	RU93E
225 x 100	RU94E
225 x 150	RU96E
225 x 225	RU99E
300 x 75	RU123E
300 x 100	RU124E
300 x 150	RU126E
300 x 300	RU1212E

Flanges



Sold as Individual



Incl. Fitments

Size	Product Code
mm	
50 x 50	RU22FU
75 x 50	RU32FU
75 x 75	RU33FU
100 x 50	RU42FU
100 x 75	RU43FU
100 x 100	RU44FU
150 x 50	RU62FU
150 x 75	RU63FU
150 x 100	RU64FU
150 x 150	RU66FU
225 x 50	RU92FU
225 x 75	RU93FU
225 x 100	RU94FU
225 x 150	RU96FU
225 x 225	RU99FU
300 x 75	RU123FU
300 x 100	RU124FU
300 x 150	RU126FU
300 x 300	RU1212FU

Supplied with fixings

Standard Trunking Accessories

Trunking Connectors/Couplers



Sold as
Individual

Size	Product Code
mm	
50 x 50	RU22CU
75 x 50	RU32CU
75 x 75	RU33CU
100 x 50	RU42CU
100 x 75	RU43CU
100 x 100	RU44CU
150 x 50	RU62CU
150 x 75	RU63CU
150 x 100	RU64CU
150 x 150	RU66CU
225 x 50	RU92CU
225 x 75	RU93CU
225 x 100	RU94CU
225 x 150	RU96CU
225 x 225	RU99CU
300 x 100	RU124CU
300 x 150	RU126CU
300 x 300	RU1212CU

Fitting to Fitting Adapter



Sold as
Individual

Size	Product Code
mm	
50 x 50	RU22FA
75 x 50	RU32FA
75 x 75	RU33FA
100 x 50	RU42FA
100 x 75	RU43FA
100 x 100	RU44FA
150 x 50	RU62FA
150 x 75	RU63FA
150 x 100	RU64FA
150 x 150	RU66FA
225 x 50	RU92FA
225 x 75	RU93FA
225 x 100	RU94FA
225 x 150	RU96FA
225 x 225	RU99FA
300 x 75	RU123FA
300 x 100	RU124FA
300 x 150	RU126FA
300 x 300	RU1212FA

Standard Trunking Accessories

Spare Turnbuckles



Product Code	Quantity
UDTB2	10

Spare Screws



Product Code	Quantity
M6X10MMHSZP	100

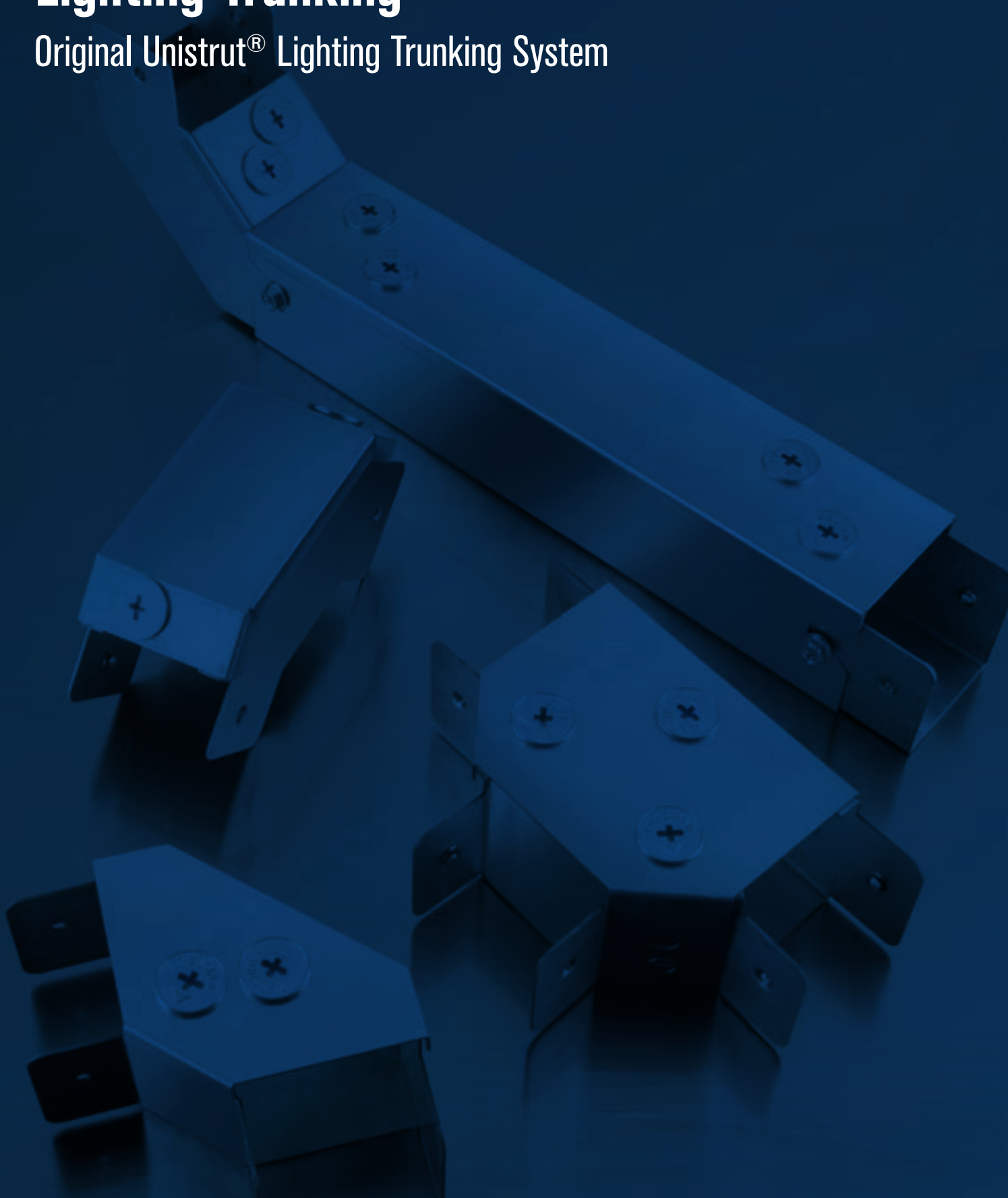
Trunking Earth Link



Product Code	Quantity
UEL	10

Lighting Trunking

Original Unistrut® Lighting Trunking System



UNISTRUT®

Lighting Trunking

Durable lighting trunking system with a choice of pre-galvanized or plastic push-fit lid to enable fast installation. Lids, Couplers and Screws separately available.



Size	Length	Product Code*	Finish
mm	m		
50 x 50	3m	RLU2230	PG
50 x 50	4.5m	RLU2245	PG



Inc Fitments



Sold as individual

Fittings & Accessories

Accessories for Unistrut® Lighting Trunking

UNISTRUT®

Fittings & Accessories

Top-Lid 90 Degree Bends



Size	Product Code	Finish
mm		
50 x 50	RLU22BT90	PG



Sold as Individual

Inside Lid 90 Degree Bends



Size	Product Code	Finish
mm	Single	
50 x 50	RLU22BI90	PG



Sold as Individual

Outside Lid 90 Degrees



Size	Product Code	Finish
mm	Single	
50 x 50	RLU22BO90	PG



Sold as Individual

Top Lid 45 Degree Bends



Size	Product Code	Finish
mm	Single	
50 x 50	RLU22BT45	PG



Sold as Individual

Inside Lid 45 Degree Bends



Size	Product Code	Finish
mm	Single	
50 x 50	RLU22BI45	PG



Sold as Individual

Outside Lid 45 Degree Bends



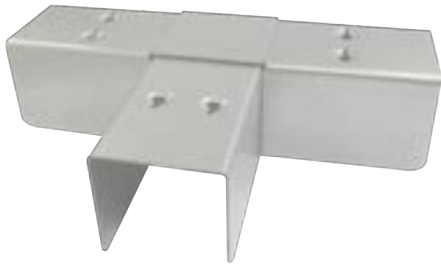
Size	Product Code	Finish
mm	Single	
50 x 50	RLU22BO45	PG



Sold as Individual

Fittings & Accessories

Top lid Tees



Size	Product Code	Finish
mm	Single	
50 x 50	RLU22BTT	PG



Sold as Individual

Cross Overs



Size	Product Code	Finish
mm		
50 x 50	RLU22FT	PG



Sold as Individual

End Caps



Size	Product Code
mm	
50 x 50	RLU22E



Sold as Individual

Trunking Flanges



Size	Product Code
mm	
50 x 50	RLU22F



Sold as Individual

Cable Retainer



Product Code	Finish
RLUCR	PG



Sold as Pair

Couplers



Size	Product Code
Short	RLUCOUPSRT
Long	RLUCOUPNG



Sold as Individual

Lighting Trunking Accessories

Stirrup Hangers

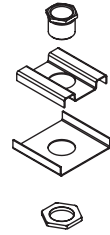
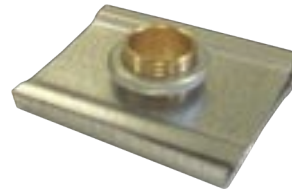


Size	Product Code
mm	
11	RLUSUS5011
20	RLUSUS5020



Sold as Individual

Suspension Units

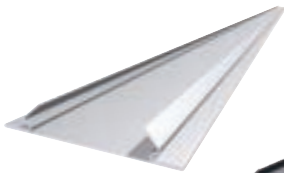


Size	Product Code
mm	
50 x 50	RLU22E

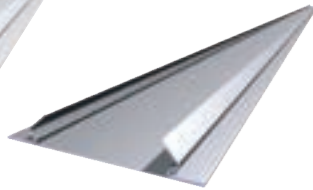


Sold as Individual

Lids (Lighting)



Plastic



Galvanised

Type	Product Code
Plastic	RLULID20PL
Galvanized	RLULID20PG

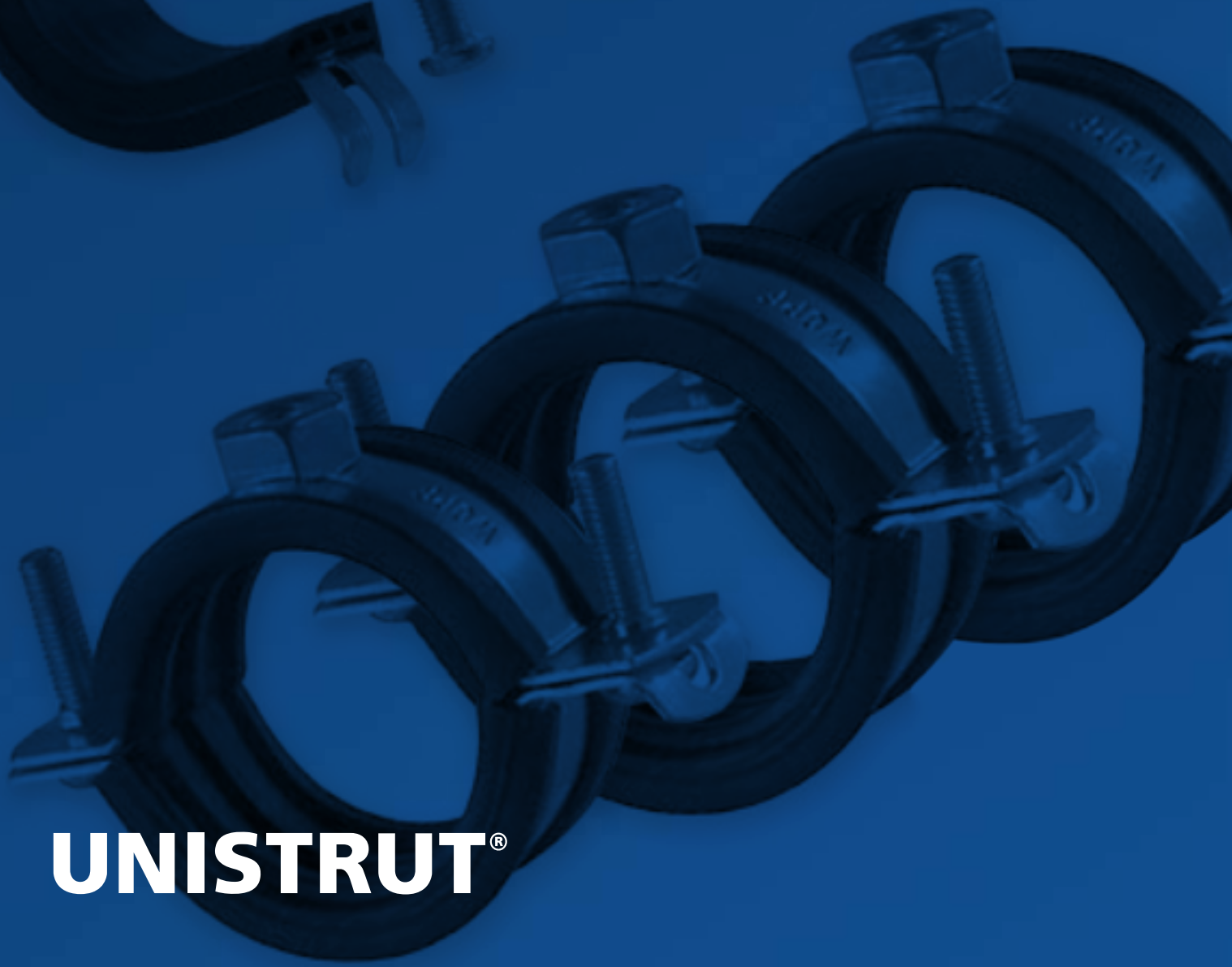


Sold as Individual

2m lengths

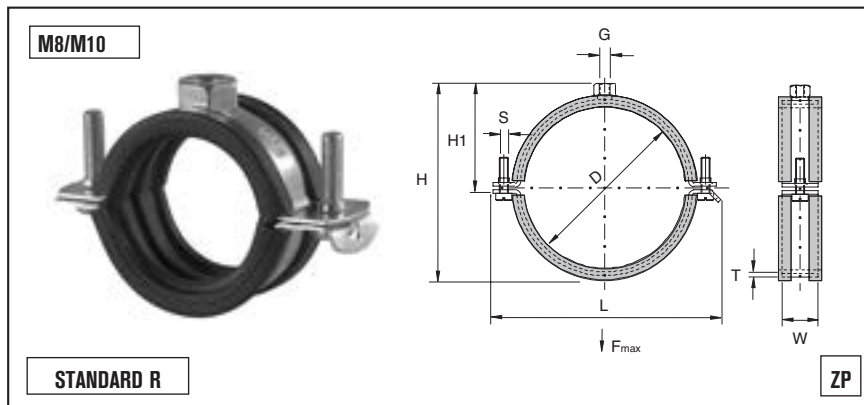
Pipe Clips

Standard and Insulated Pipe Clips



UNISTRUT®

Sound Insulated Pipe Clip Type Standard with 2 Screws

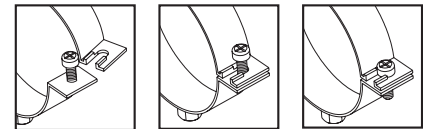


EPDM/SBR
SHORE A = 45 ± 5°
+ 110° C
- 50° C



Sound insulation tested

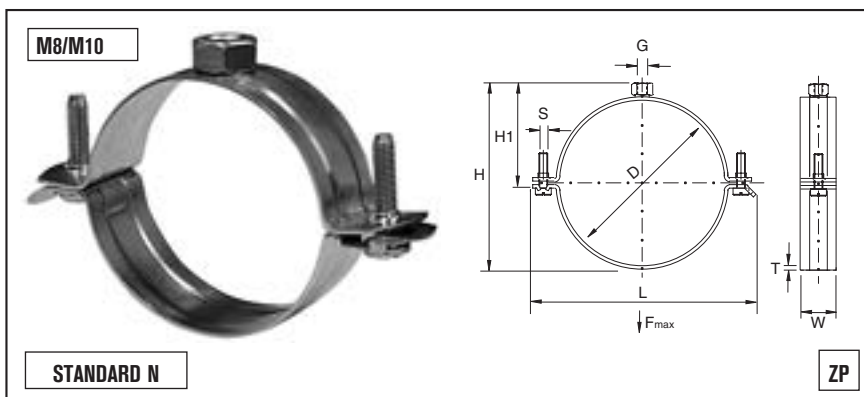
Sound insulation value on average 22 dB (A)



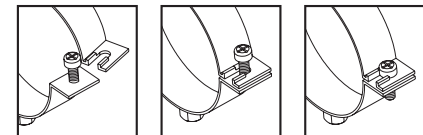
Side lock system for Part numbers 125...

Part No.	Finish	D	WxT	H	H1	L	S	Fmax	Ⓢ /100	📦
M8/M10	ZP	"	mm	mm	mm	mm		N		
125 70 15	•		14 - 17	20 x 1.00	34	20	M5	600	4.4	100
125 70 18	•	3/8"	17 - 20	20 x 1.00	36	22	M5	600	5.0	100
125 70 22	•	1/2"	21 - 24	20 x 1.00	40	23	M5	600	5.0	100
125 70 28	•	3/4"	27 - 30	20 x 1.00	46	26	M5	600	6.0	100
125 70 35	•	1"	33 - 36	20 x 1.00	52	30	M5	600	9.0	100
125 70 40	•		38 - 41	20 x 1.00	56	31	M5	600	7.0	100
125 70 42	•	1 1/4"	42 - 45	20 x 1.00	60	34	M5	600	7.0	50
125 70 48	•	1 1/2"	48 - 51	20 x 1.00	66	37	M5	600	7.3	50
125 70 54	•		54 - 57	20 x 1.50	73	41	M5	1400	10.0	50
125 70 60	•	2"	59 - 62	20 x 1.50	79	43	M5	1400	10.8	50
125 70 70	•		67 - 72	25 x 1.50	94	53	M6	1900	14.0	50
125 70 76	•	2 1/2"	72 - 78	25 x 1.50	100	56	M6	1900	15.5	50
125 70 83	•		82 - 86	25 x 2.00	97	56	M6	1900	20.6	50
125 70 89	•	3"	84 - 89	25 x 2.00	108	61	M6	2300	21.0	50
125 71 14	•	4"	109 - 114	25 x 2.00	136	81	M6	2300	24.4	50

Pipe Clip Type Standard with 2 Screws



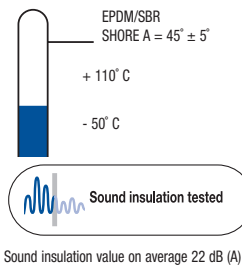
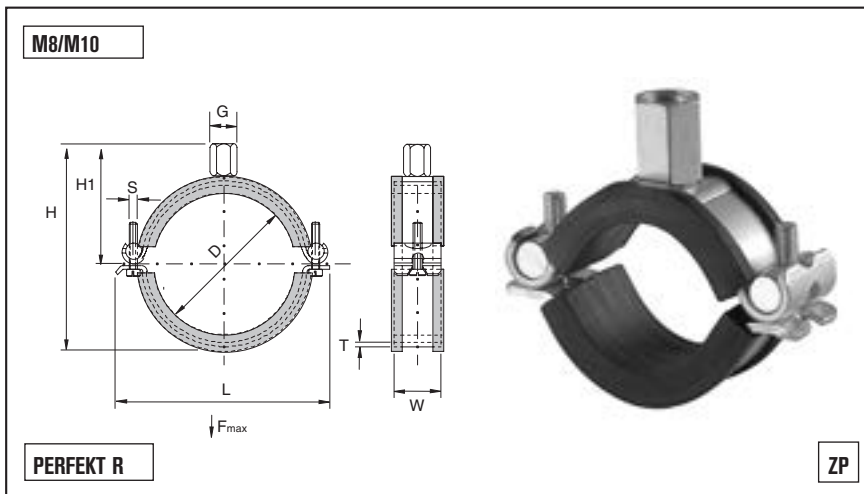
Side lock system for Part. numbers 125...



Part No.	Finish	D	WxT	H	H1	L	S	Fmax	Ⓢ /100	📦
M8/M10	ZP	"	mm	mm	mm	mm		N		
125 60 18	•	3/8"	17 - 20	20 x 1.00	29	18	M5	600	4.5	100
125 60 22	•	1/2"	21 - 24	20 x 1.00	33	19	M5	600	4.9	100
125 60 28	•	3/4"	25 - 28	20 x 1.00	39	22	M5	600	4.0	100
125 60 35	•	1"	32 - 35	20 x 1.00	45	26	M5	600	4.0	100
125 60 40	•		38 - 41	20 x 1.00	49	27	M5	600	5.0	100
125 60 42	•	1 1/4"	40 - 43	20 x 1.00	53	30	M5	600	5.0	50
125 60 48	•	1 1/2"	48 - 51	20 x 1.00	59	33	M5	600	6.0	50
125 60 54	•		54 - 57	20 x 1.50	66	37	M5	1400	5.0	50
125 60 60	•	2"	59 - 63	20 x 1.50	72	39	M5	1400	8.0	50
125 60 70	•		67 - 72	25 x 1.50	87	49	M6	1900	11.0	50
125 60 76	•	2 1/2"	71 - 77	25 x 1.50	93	52	M6	1900	11.0	50
125 60 80	•		79 - 85	25 x 1.50	95	54	M6	2000	15.2	50
125 60 89	•	3"	85 - 90	25 x 2.00	101	57	M6	2300	15.0	50
125 61 14	•	4"	107 - 114	25 X 2.00	129	77	M6	2300	18.0	50

Pipe Clips

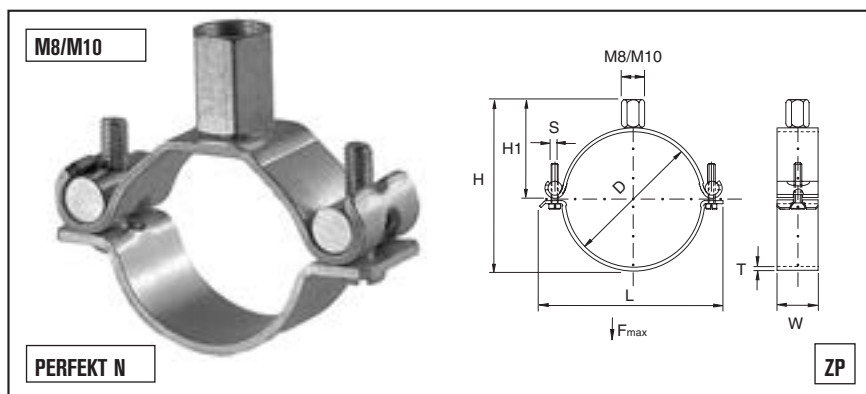
Type Perfekt Sound Insulated Pipe Clip



Part No.	Finish	D	WxT	H	H1	L	S	Fmax	📦/100	📦
M8/M10	ZP	"	mm	mm	mm	mm		N		
119 18 13	•	3/8"	15 - 20	20 x 2.00	50	32	M5	800	8.8	100
119 22 13	•	1/2"	21 - 25	20 X 2.00	55	35	M5	800	9.7	100
119 28 13	•	3/4"	26 - 31	20 X 2.00	61	38	M5	800	10.3	100
119 35 13	•	1"	32 - 36	20 X 2.00	67	42	M5	800	11.2	100
119 42 13	•	1 1/4"	42 - 46	20 X 2.00	76	46	M5	800	12.3	100
119 48 13	•	1 1/2"	46 - 50	20 X 2.00	81	49	M5	800	12.7	100
119 54 13	•		50 - 54	20 X 2.00	84	53	M5	800	13.3	50
119 60 13	•	2"	56 - 60	20 X 2.00	90	55	M5	800	14.3	50
119 06 38	•		63 - 68	25 X 2.50	101	60	M6	1900	21.7	50
119 06 88	•		68 - 73	25 X 2.50	107	63	M6	1900	23.2	50
119 07 58	•	2 1/2"	75 - 80	25 x 2.50	115	66	M6	1900	24.5	50
119 08 48	•		84 - 89	25 x 2.50	124	70	M6	1900	27.1	50
119 08 88	•	3"	88 - 92	25 x 2.50	130	72	M6	1900	28.0	50
119 09 78	•		97 - 102	25 x 2.50	138	77	M6	1900	29.0	50
119 10 68	•		106 - 111	25 x 2.50	150	83	M6	1900	32.3	50
119 10 98	•		109 - 114	25 x 2.50	152	84	M6	1900	32.5	50
119 11 38	•	4"	113 - 119	25 x 2.50	154	86	M6	1900	32.9	50
119 12 28	•		122 - 127	25 x 2.50	163	90	M6	1900	34.4	25
119 13 18	•		131 - 136	25 x 2.50	193	94	M6	1900	36.8	25
119 13 78	•	5"	137 - 142	25 x 2.50	176	97	M6	1900	37.9	25
119 15 88	•	6"	158 - 163	25 x 2.50	197	105	M6	1900	40.5	25
119 16 48	•		164 - 168	25 x 2.50	202	108	M6	1900	42.3	25

Available with M10/12, M16 & 1/2" connection on request

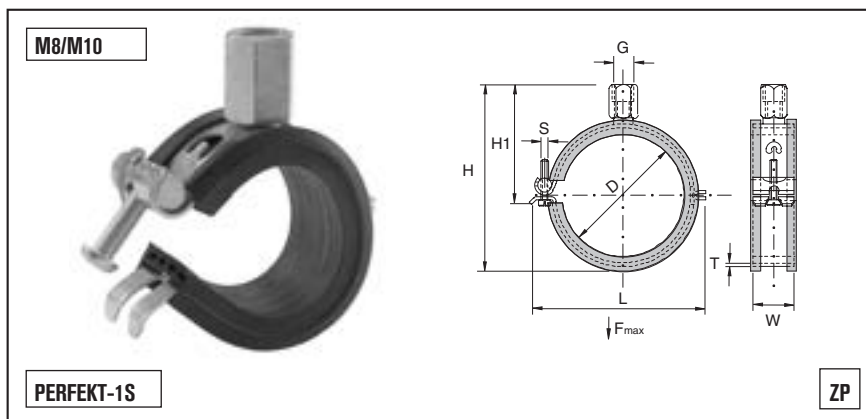
Type Perfekt Pipe Clip



Part No.	Finish	"	D	mm	WxT	mm	H	H1	L	S	Fmax	N	kg/100	Icon
128 01 85	ZP	•	3/8"	18 - 20	20 x 2.00	39	32	44	44	M5	800	6.0	100	
128 02 25	•	1/2"	21 - 25	20 x 2.00	42	30	46	46	46	M5	800	7.0	100	
128 02 85	•	3/4"	27 - 32	20 x 2.00	47	33	56	56	56	M5	800	7.0	100	
128 03 55	•	1"	33.5 - 38	20 x 2.00	55	36	61	61	61	M5	800	8.0	100	
128 04 05	•		39 - 43	20 x 2.00	60	38	65	65	65	M5	800	8.0	100	
128 04 25	•	1 1/4"	42.5 - 46	20 x 2.00	64	40	68	68	68	M5	800	9.0	100	
128 04 85	•	1 1/2"	48.5 - 53	20 x 2.00	70	43	77	77	77	M5	800	9.0	100	
128 06 05	•	2"	60.5 - 65	20 x 2.00	82	49	89	89	89	M5	800	11.0	50	
128 06 86	•		68 - 73	25 x 2.50	79	59	105	105	105	M6	1900	17.4	50	
128 07 26	•	2 1/2"	73 - 77	25 x 2.50	103	62	107	107	107	M6	1900	16.0	50	
128 08 66	•	3"	84 - 90	25 x 2.50	105	72	121	121	121	M6	1900	18.0	50	
128 09 76	•		97 - 103	25 x 2.50	138	78	142	142	142	M6	1900	20.0	50	
128 10 66	•		106 - 111	25 x 2.50	139	79	139	139	139	M6	1900	22.7	50	
128 11 06	•	4"	109 - 114	25 x 2.50	140	79	145	145	145	M6	1900	22.0	50	
128 12 56	•		125 - 130	25 x 2.50	156	87	163	163	163	M6	1900	25.0	25	
128 13 96	•	5"	139 - 145	25 x 2.50	169	94	173	173	173	M6	1900	29.0	25	
128 16 86	•	6"	160 - 168	25 x 2.50	191	105	193	193	193	M6	1900	30.0	25	

- Available with M10/12., M16 & 1/2" connection on request

Type Perfekt 1S Sound Insulated Pipe Clip



EPDM/SBR
SHORE A = 45 ± 5

+ 110° C

- 50° C

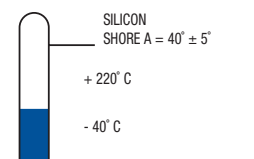
Sound insulation tested

Sound insulation value on average 22 dB (A)

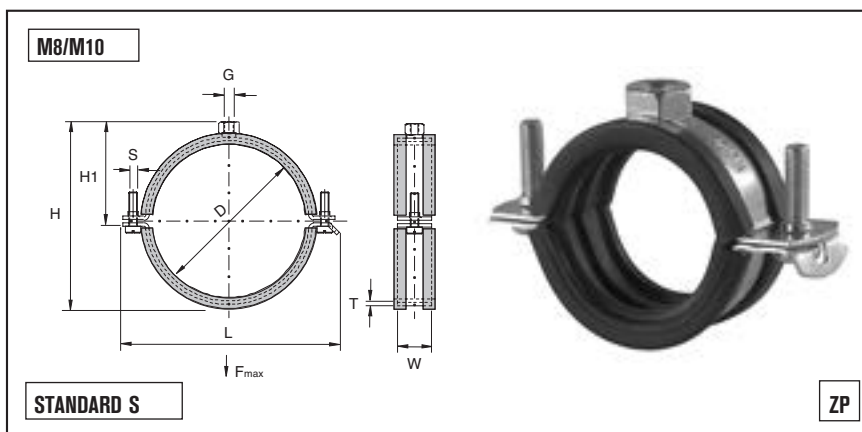
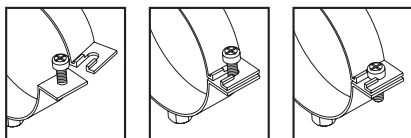
Part No.	Part No.	Finish	"	D	mm	WxT	mm	H	H1	L	S	Fmax	N	kg/100	Icon
119 15 80	119 15 10	•		15 - 16	20 X 1.00	44	30	43	43	43	M5	800	4.0	100	
119 18 80	119 18 10	•	3/8"	17 - 18	20 X 1.00	46	32	45	45	45	M5	800	4.0	100	
119 22 80	119 22 10	•	1/2"	21 - 22	20 X 1.00	51	34	50	50	50	M5	800	5.0	100	
119 28 80	119 28 10	•	3/4"	27 - 28	20 X 1.00	55	37	56	56	56	M5	800	5.0	100	
119 35 80	119 35 10	•	1"	34 - 35	20 X 1.25	63	40	64	64	64	M5	1100	6.0	100	
119 40 80	119 40 10	•		40 - 41	20 X 1.25	69	43	69	69	69	M5	1100	7.0	100	
119 42 80	119 42 10	•	1 1/4"	42 - 43	20 X 1.25	70	44	71	71	71	M5	1100	7.0	100	
119 48 80	119 48 10	•	1 1/2"	48 - 49	20 X 1.25	77	48	77	77	77	M5	1100	8.0	100	
119 50 80	119 50 10	•		49 - 50	20 X 1.25	79	49	79	79	79	M5	1100	8.0	50	
119 54 80	119 54 10	•		54 - 55	20 X 1.25	83	51	83	83	83	M5	1100	8.0	50	
119 57 80	119 57 10	•		57 - 58	20 X 1.25	86	53	86	86	86	M5	1100	9.0	50	
119 60 80	119 60 10	•	2"	60 - 61	20 X 1.25	89	54	89	89	89	M5	1100	8.0	50	

Pipe Clips

Pipe Clip Type standard with Silicone High Temperature Insulation with 2 Screws

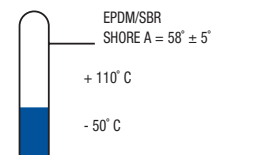


Sound insulation value on average 22 dB (A)

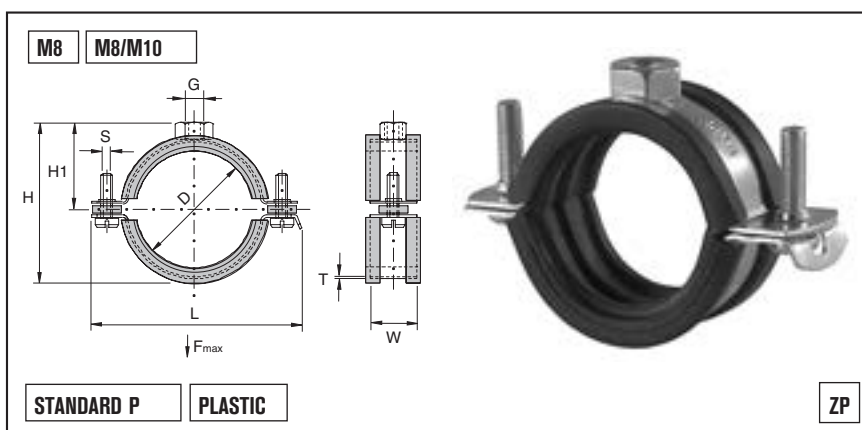
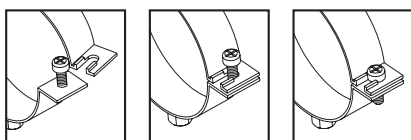


Part No.	Finish	D	WxT	H	H1	L	S	Fmax	kg/100	
	ZP	mm	mm	mm	mm	mm		N		
125 80 15	•	14 - 17	20 x 1.00	34	20	55	M5	600	5.0	100
125 80 18	•	3/8"	20 x 1.00	36	22	58	M5	600	5.0	100
125 80 22	•	1/2"	20 x 1.00	40	23	59	M5	600	5.0	100
125 80 28	•	3/4"	20 x 1.00	46	26	66	M5	600	6.0	100
125 80 35	•	1"	20 x 1.00	52	30	73	M5	600	6.0	100
125 80 40	•		20 x 1.00	56	31	79	M5	600	8.0	100
125 80 42	•	1 1/4"	20 x 1.00	60	34	82	M5	600	7.0	50
125 80 48	•	1 1/2"	20 x 1.00	66	37	89	M5	600	7.0	50
125 80 54	•		20 x 1.50	73	41	98	M5	1400	10.0	50
125 80 60	•	2"	20 x 1.50	79	43	101	M5	1400	10.0	50
125 80 70	•		20 x 1.50	94	53	116	M6	1900	15.0	50
125 80 76	•	2 1/2"	20 x 1.50	100	56	123	M6	1900	16.0	50
125 80 89	•	3"	20 x 2.00	108	61	134	M6	2300	21.0	50
125 81 14	•	4"	20 x 2.00	135	81	162	M6	2300	25.0	50

Sound Insulated Pipe Clip Type Plastic with 2 Screws for use with Plastic Clips

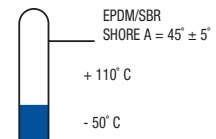
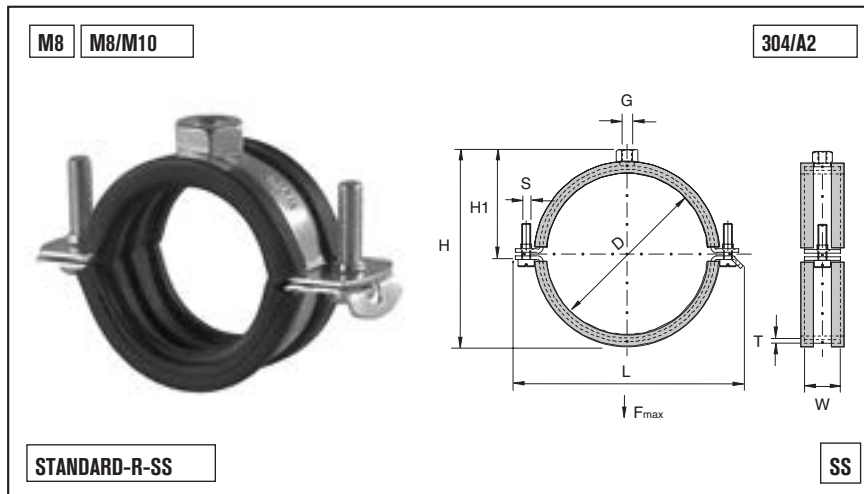


Sound insulation value on average 15.4 dB (A)

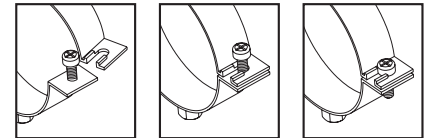


Part No.	Finish	G	D	WxT	H	H1	L	S	Fmax	kg/100	
	ZP	mm	mm	mm	mm	mm	mm		N		
133 01 68	•	M8	16	20 x 1.00	36	21	58	M5	600	4.0	100
133 02 08	•	M8	20	20 x 1.00	40	24	62	M5	600	5.0	100
133 02 58	•	M8	25	20 x 1.00	46	27	66	M5	600	5.0	100
133 03 28	•	M8	32	20 x 1.00	53	30	72	M5	600	6.0	100
133 04 08	•	M8	40	20 x 1.00	60	34	82	M5	600	7.0	100
133 05 08	•	M8	50	20 x 1.00	67	39	89	M5	600	6.0	50
133 06 38	•	M8	63	20 x 1.50	83	47	101	M5	1450	9.0	50
133 07 88	•	M8/M10	75/78	25 x 2.50	110	63	119	M6	1900	22.0	50
133 09 08	•	M8/M10	90	25 x 2.50	124	71	136	M6	1900	24.0	50
133 11 08	•	M8/M10	110	25 x 2.50	141	79	151	M6	1900	28.0	50
133 12 58	•	M8/M10	125	25 x 2.50	158	87	165	M6	1900	32.0	50
133 13 58	•	M8/M10	135	25 x 2.50	163	89	172	M6	1900	32.0	50
133 16 08	•	M8/M10	160	25 x 2.50	190	108	205	M6	1900	40.0	50

Sound Insulated Pipe Clip Type Standard with 2 Screws - Stainless Steel 304/A2




Sound insulation value on average 22 dB (A)



Part No.	Finish	D	G	WxT	H	H1	L	S	Fmax	📦/100	📦	
	SS	"	mm	mm	mm	mm	mm	mm	N			
135 01 52	•		14 - 17	M8	20 x 1.00	34	20	55	M5	600	4.0	100
135 01 82	•	3/8"	17 - 20	M8	20 x 1.00	36	22	58	M5	600	4.0	100
135 02 22	•	1/2"	21 - 24	M8	20 x 1.00	40	23	59	M5	600	5.0	100
135 02 82	•	3/4"	27 - 30	M8	20 x 1.00	46	26	66	M5	600	5.0	100
135 03 52	•	1"	33 - 36	M8	20 x 1.00	52	30	73	M5	600	6.0	100
135 04 02	•		38 - 41	M8	20 x 1.00	56	31	79	M5	600	6.0	100
135 04 22	•	1 1/4"	42 - 45	M8	20 x 1.00	60	34	82	M5	600	6.0	50
135 04 82	•	1 1/2"	48 - 51	M8	20 x 1.00	66	37	89	M5	600	6.0	50
135 05 42	•		54 - 57	M8	20 x 1.50	73	41	98	M5	1400	8.0	50
135 06 02	•	2"	59 - 62	M8	20 x 1.50	79	43	100	M5	1400	10.0	50
135 07 02	•		67 - 72	M8/M10	25 x 1.50	94	53	116	M6	1900	16.0	50
135 07 52	•	2 1/2"	72 - 78	M8/M10	25 x 1.50	100	56	123	M6	1900	16.0	50
135 08 82	•	3"	84 - 89	M8/M10	25 x 2.00	108	61	134	M6	2300	20.0	50
135 11 42	•	4"	109 - 114	M8/M10	25 x 2.00	136	81	162	M6	2300	24.0	50

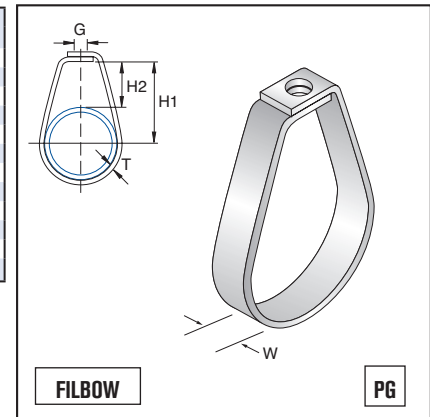
Pipe Clips

Sprinkler Hangers

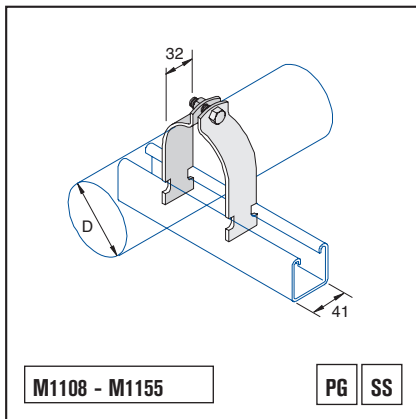
Part No.	Finish		D "	G ømm	W x T mm	H1 mm	H2 mm	Weight kg/100		Approval*	
	PG	SS								FM	LPCB
FIL00212	•	•	1/2"	11	25 x 1.2	35	20	5.0	100		
FIL00272	•	•	3/4"	11	25 x 1.2	35	20	5.0	100	FM	LPCB
FIL00342	•	•	1"	11	25 x 1.2	43	26	5.0	100	FM	LPCB
FIL00422	•	•	1 1/4"	11	25 x 1.2	50	30	5.0	100	FM	LPCB
FIL00482	•	•	1 1/2"	11	25 x 1.2	60	35	6.0	100	FM	LPCB
FIL00602	•	•	2"	11	25 x 1.2	60	30	7.0	100	FM	LPCB
FIL00762	•	•	2 1/2"	11	25 x 1.6	81	33	10.0	100	FM	LPCB
FIL00892	•	•	3"	11	25 x 1.6	85	40	11.0	100	FM	LPCB
FIL01142	•	•	4"	11	32 x 1.6	113	56	20.0	100	FM	LPCB
FIL01682	•	•	6"	13	32 x 2.5	145	60	40.0	100	FM	LPCB
FIL02192	•	•	8"	18	40 x 3.0	200	90	75.0	100	FM	LPCB
FIL02732	•	•	10"	22	50 x 3.0	250	130	115.0	100		

*Approval only applicable for finish

PG

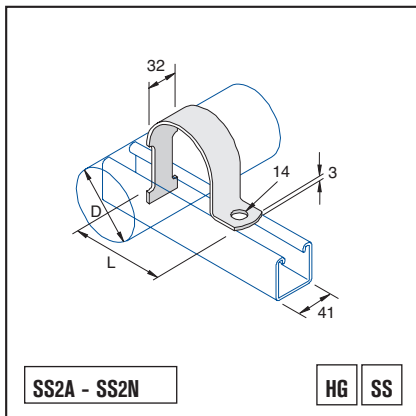


Pipe Clamps for Unistrut Channels

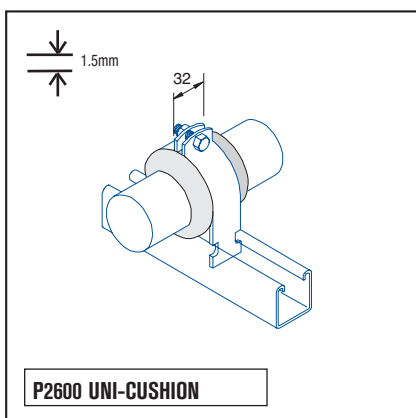


Part No.	Finish		D mm	⚖️	📦
	PG	SS			
M1108	•	•	8.7 - 10.3	35	150
M1109	•	•	10.3 - 12.7	37	150
M1110	•	•	11.9 - 13.5	38	150
M1111	•	•	13.5 - 14.3	39	150
M1112	•	•	14.3 - 16.7	40	150
M1113	•	•	15.9 - 18.3	41	150
M1114	•	•	18.3 - 20.6	45	150
M1115	•	•	19.0 - 21.4	47	150
M1116	•	•	21.4 - 25.4	49	100
M1117	•	•	25.4 - 27.8	53	100
M1118	•	•	27.0 - 30.2	64	100
M1119	•	•	30.2 - 33.8	72	100
M1120	•	•	31.8 - 35.9	72	100
M1121	•	•	34.9 - 39.7	79	100
M1122	•	•	39.7 - 42.9	84	100
M1123	•	•	42.9 - 46.8	90	100
M1124	•	•	46.8 - 50.8	128	50
M1125	•	•	48.4 - 52.4	131	50
M1126	•	•	52.4 - 58.7	137	50
M1127	•	•	58.7 - 63.5	150	50
M1128	•	•	63.5 - 68.3	160	50
M1129	•	•	68.3 - 73.0	164	50
M1130	•	•	73.0 - 79.4	171	50
M1131	•	•	76.2 - 82.6	175	50

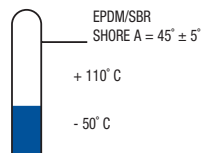
Part No.	Finish		D mm	⚖️	📦
	PG	SS			
M1132	•	•	82.6 - 88.1	35	150
M1133	•	•	88.1 - 95.2	37	150
M1134	•	•	95.2 - 100.0	38	150
M1135	•	•	100.0 - 106.4	39	150
M1136	•	•	106.4 - 111.1	40	150
M1137	•	•	111.1 - 120.7	41	150
M1138	•	•	120.7 - 129.4	45	150
M1139	•	•	129.4 - 138.1	47	150
M1140	•	•	138.1 - 149.2	49	100
M1141	•	•	149.2 - 161.9	53	100
M1142	•	•	161.9 - 174.6	64	100
M1143	•	•	174.6 - 182.6	72	100
M1144	•	•	182.6 - 190.5	72	100
M1145	•	•	190.5 - 203.2	79	100
M1146	•	•	203.2 - 212.7	84	100
M1147	•	•	212.7 - 225.4	90	100
M1148	•	•	225.4 - 238.1	128	50
M1149	•	•	238.1 - 250.8	131	50
M1150	•	•	250.8 - 263.5	137	50
M1151	•	•	263.5 - 276.2	150	50
M1152	•	•	275.2 - 288.9	160	50
M1153	•	•	288.9 - 301.6	164	50
M1154	•	•	301.6 - 314.3	171	50
M1155	•	•	314.3 - 327.0	175	50



Part No.	Finish		" D	L mm	⚖️	📦
	HG	SS				
SS2/A	•	•	15	66	0.06	75
SS2/B	•	•	20	73	0.07	75
SS2/C	•	•	25	81	0.09	75
SS2/D	•	•	32	90	0.10	50
SS2/E	•	•	40	96	0.12	75
SS2/F	•	•	50	102	0.14	40
SS2/G	•	•	65	113	0.17	25
SS2/H	•	•	80	125	0.20	25
SS2/J	•	•	90	137	0.22	10
SS2/K	•	•	100	150	0.25	10
SS2/L	•	•	125	175	0.30	10
SS2/M	•	•	150	204	0.36	10
SS2/N	•	•	200	220	0.46	10




Part No.	Size mm	T mm	L m	⚖️ kg
P2600	32	1.5	8	1.02

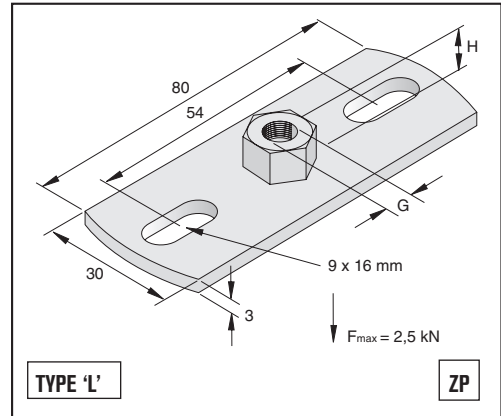


EPDM insulation for M11 and SS2 series clamps

Pipe Clips

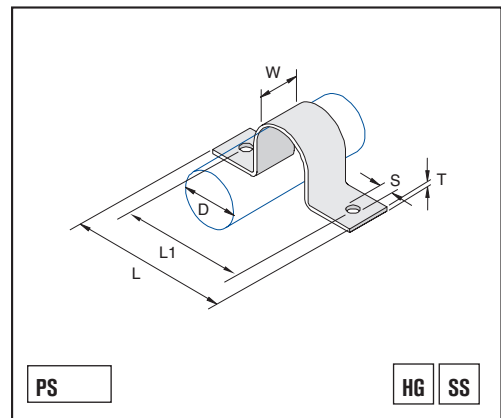
Base Plates with Thread Connector

Part No.	Finish	G	H mm	μ	
146 00 81	ZP	M8	11	0.06	100
146 01 01	•	M10	11	0.06	100
146 01 21	•	M12	13	0.06	100
146 01 08	•	M8/M10	17	0.06	100
146 02 21	•	1/2"	18	0.07	50
146 02 81	•	3/4"	20	0.09	50




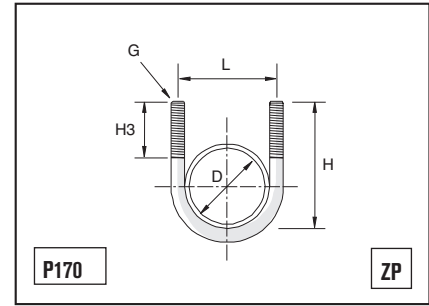
Industrial Pipe Clamps


HG	SS	D	W x T	S	L	L1	
Part No.	Part No.	"	mm	mm	mm	mm	
PS0153	PS0154	1/2"	15	40x3	11	108	68
PS0203	PS0204	3/4"	20	40x3	11	113	73
PS0253	PS0254	1"	25	40x3	11	120	80
PS0323	PS0324	1 1/4"	32	40x3	11	128	88
PS0403	PS0404	1 1/2"	40	40x3	11	134	94
PS0503	PS0504	2"	50	40x4	11	148	108
PS0653	PS0654	2 1/2"	65	40x4	11	164	124
PS0803	PS0804	3"	80	40x4	11	177	137
PS1003	PS1004	4"	100	40x4	14	202	162
PS1253	PS1254	5"	125	40x6	14	231	191
PS1503	PS1504	6"	150	40x6	14	260	220
PS2003	PS2004	8"	200	40x6	14	301	261
PS2503	PS2504	10"	250	50x6	18	385	335
PS3003	PS3004	12"	300	50x6	18	435	385

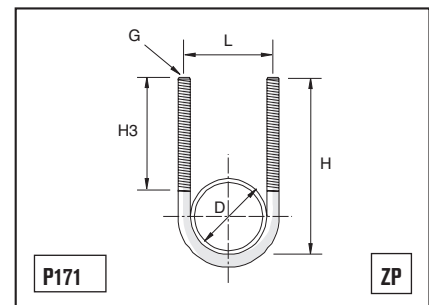


U-Bolts

Part No.	Finish ZP	G	DN	"	D mm	H3 mm	H mm	L mm	
170002102	•	M6	15	1/2"	21.3	20	37	29	100
170002112	•	M8	15	1/2"	21.3	20	37	31	100
170002702	•	M6	20	3/4"	26.9	25	48	34	100
170002712	•	M8	20	3/4"	26.9	36	64	36	100
170003402	•	M6	25	1"	33.7	32	60	41	100
170003412	•	M8	25	1"	33.7	30	44	41	100
170003422	•	M10	25	1"	33.7	30	52	46	100
170004212	•	M8	32	1 1/4"	42.4	35	67	52	100
170004222	•	M10	32	1 1/4"	42.4	35	67	54	100
170004812	•	M8	40	1 1/2"	48.3	40	78	57	100
170004822	•	M10	40	1 1/2"	48.3	40	78	59	100
170006012	•	M8	50	2"	60.3	35	90	71	100
170006022	•	M10	50	2"	60.3	40	90	73	100
170006032	•	M12	50	2"	60.3	35	90	75	100
170007622	•	M10	65	2 1/2"	76.1	40	103	89	100
170007632	•	M12	65	2 1/2"	76.1	35	105	91	100
170008922	•	M10	80	3"	88.9	50	115	100	50
170008932	•	M12	80	3"	88.9	38	115	102	50
170011422	•	M10	100	4"	114.3	50	146	124	50
170011432	•	M12	100	4"	114.3	50	144	126	50
170011442	•	M16	100	4"	114.3	38	140	130	50
170013932	•	M12	125	5"	139.7	60	173	156	25
170013942	•	M16	125	5"	139.7	38	170	160	25
170016832	•	M12	150	6"	168.3	60	198	182	25
170016842	•	M16	150	6"	168.3	38	191	186	25
170021932	•	M12	200	8"	219.1	60	255	236	25
170021942	•	M16	200	8"	219.1	38	255	240	25
170027332	•	M12	250	10"	273.0	38	313	290	1
170027342	•	M16	250	10"	273.0	38	313	294	1
170027352	•	M20	250	10"	273.0	38	313	298	1
170032432	•	M12	300	12"	323.9	38	364	341	1
170032442	•	M16	300	12"	323.9	38	364	345	1
170032452	•	M20	300	12"	323.9	38	364	349	1

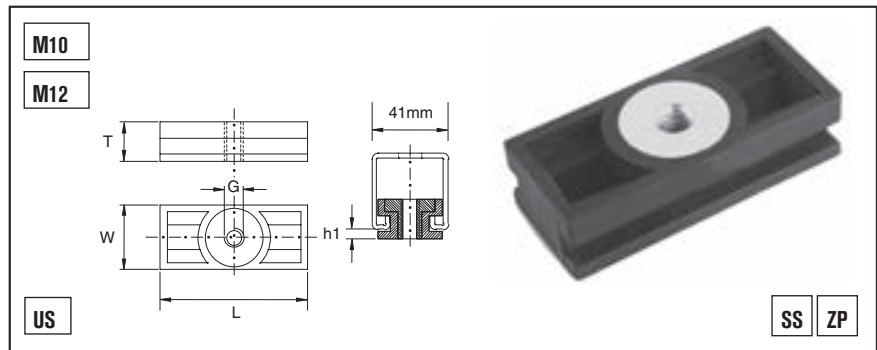
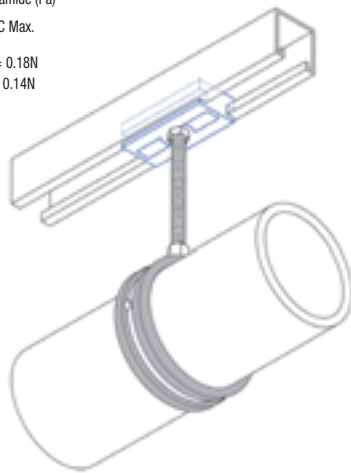


Part No.	Finish ZP	G	DN	"	D mm	H3 mm	H mm	L mm	
171002102	•	M6	15	1/2"	21.3	70	97	29	100
171002112	•	M8	15	1/2"	21.3	70	97	31	100
171002702	•	M6	20	3/4"	26.9	70	109	34	100
171002712	•	M8	20	3/4"	26.9	70	109	36	100
171003402	•	M6	25	1"	33.7	70	111	41	100
171003412	•	M8	25	1"	33.7	70	111	44	100
171003422	•	M10	25	1"	33.7	70	111	46	100
171004212	•	M8	32	1 1/4"	42.4	90	122	52	100
171004222	•	M10	32	1 1/4"	42.4	90	122	54	100
171004812	•	M8	40	1 1/2"	48.3	90	127	57	100
171004822	•	M10	40	1 1/2"	48.3	90	127	59	100
171006012	•	M8	50	2"	60.3	90	140	71	100
171006022	•	M10	50	2"	60.3	90	140	73	100
171007622	•	M10	65	2 1/2"	76.1	90	152	89	100
171008922	•	M10	80	3"	88.9	90	168	100	50
171008932	•	M12	80	3"	88.9	90	168	102	50
171011422	•	M10	100	4"	114.3	90	193	124	50
171011432	•	M12	100	4"	114.3	90	193	126	50
171013932	•	M12	125	5"	139.7	90	213	156	25
171016832	•	M12	150	6"	168.3	90	240	182	25
171016842	•	M16	150	6"	168.3	90	240	186	25
171021932	•	M12	200	8"	219.1	90	313	236	25
171021942	•	M16	200	8"	219.1	90	313	240	25
171027332	•	M12	250	10"	273.0	100	363	290	1
171027342	•	M16	250	10"	273.0	100	363	294	1
171032432	•	M12	300	12"	323.9	100	413	341	1
171032442	•	M16	300	12"	323.9	100	413	345	1
171032452	•	M20	300	12"	323.9	100	413	349	1



Polyamide Slideback for Unistrut Channels

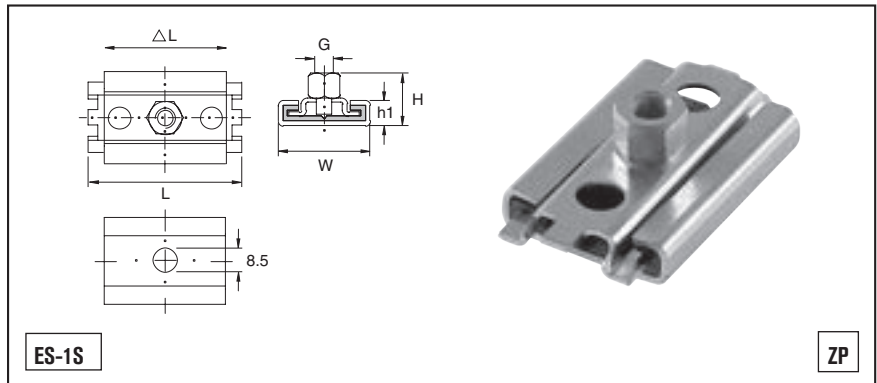
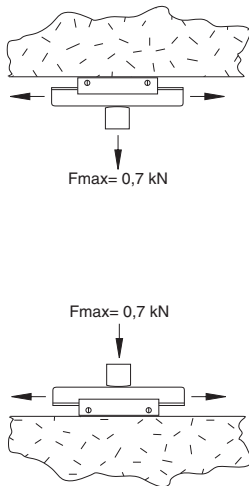
Polyamide (Pa)
+120°C Max.
 $\mu_0 = 0.18N$
 $\mu = 0.14N$



Part No.	Part No.	G	T	W	h1	L	Fmax	$\frac{m}{100}$	
ZP	SS		mm	mm	mm	mm	N		
124 10 76	135 10 75	M10	21	35	4	80	3000	6.8	10
124 12 76	135 12 75	M12	21	35	4	80	3000	6.3	10

Slide Guide Type S

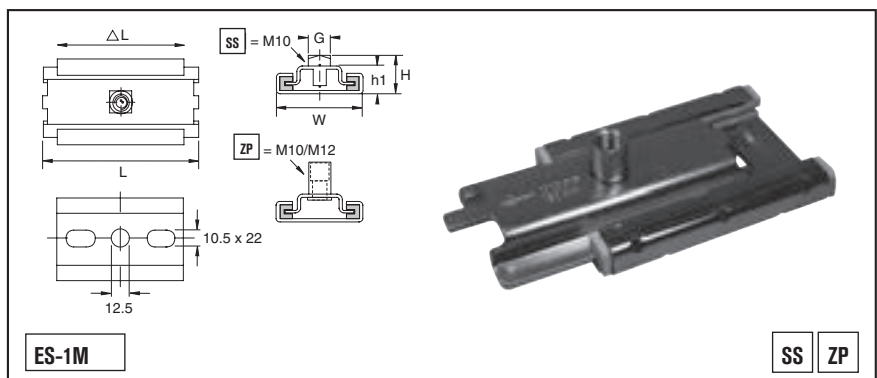
Polyamide (Pa)
+120°C Max.
 $\mu_0 = 0.18$
 $\mu = 0.14$



Part No.	G	ΔL	L	W	H	H1	Fmax	$\frac{m}{100}$	
ZP	M8	mm	mm	mm	mm	mm	N		
124 08 00	M8	42	62	37	22	12	700	0.074	50
124 10 00	M10	42	62	37	25	12	700	0.082	50

Slide Guide Type M

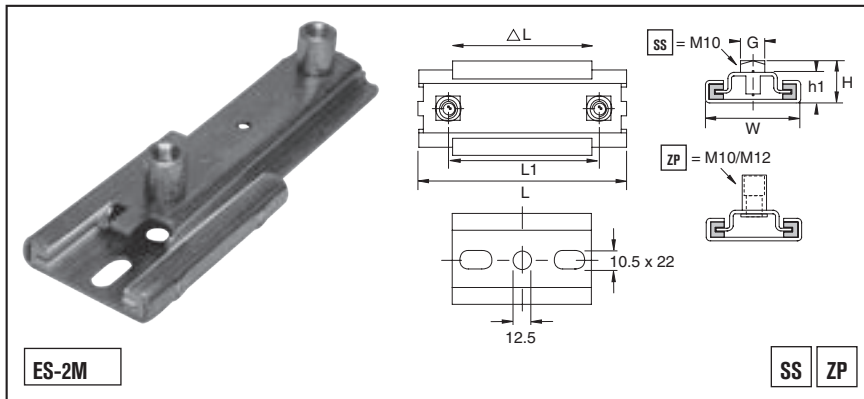
Polyamide (Pa)
+120°C Max.
 $\mu_0 = 0.18$
 $\mu = 0.14$



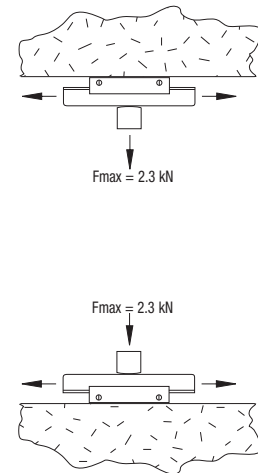
Part No.	Finish	G	ΔL	L	W	H	h1	Fmax	$\frac{m}{100}$	
ZP	SS		mm	mm	mm	mm	mm	N		
124 12 91	•	M10/M12	80	122	67	42	22	2300	0.40	10
135 24 01	•	M10	80	122	67	30	22	2300	0.37	10

Pipe Clips

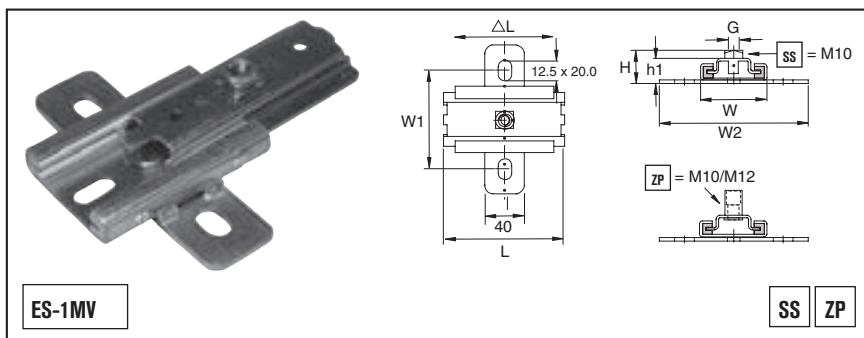
Slide Guide Type M



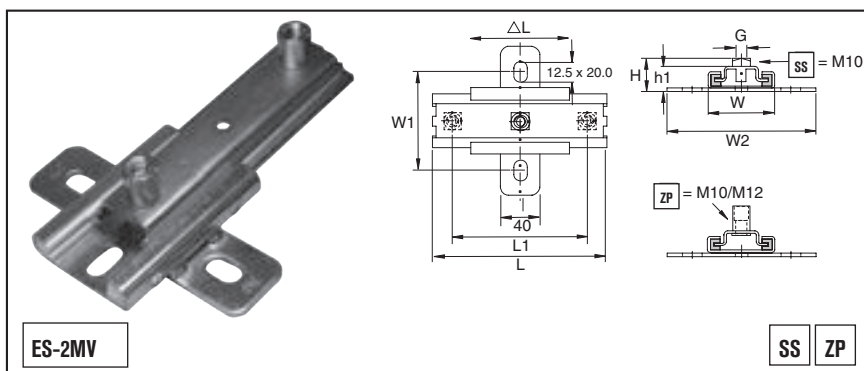
Part No.	Finish	G	ΔL	L	L1	W	H	h1	Fmax	N	kg	Box
124 12 92	ZP SS	M10/M12	140	165	123	67	42	22	2300	0.49	10	
135 24 05	•	M10	140	165	123	67	30	22	2300	0.44	10	



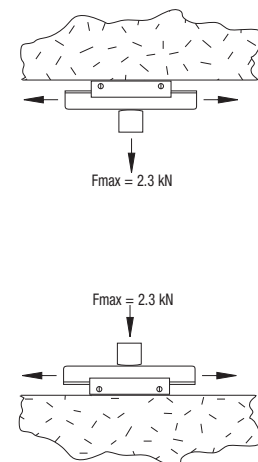
Slide Guide Type M for U{nistrut Channels



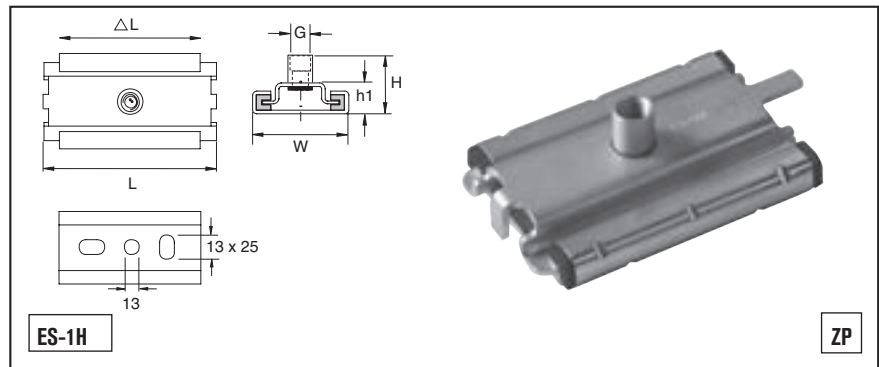
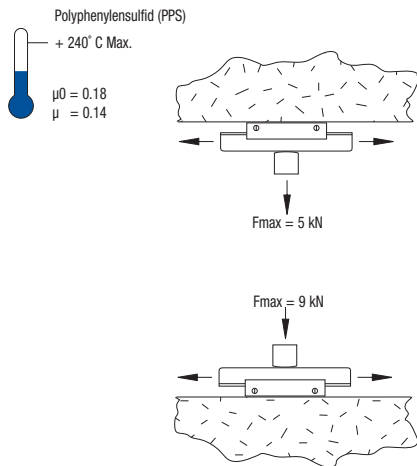
Part No.	Finish	G	ΔL	L	W	W1	W2	H	h1	Fmax	N	kg	Box
124 12 95	SS ZP	M10/M12	80	122	67	100	150	46	26	2300	0.60	10	
135 24 02	•	M10	80	122	67	100	150	34	26	2300	0.58	10	



Part No.	Finish	G	ΔL	L	L1	W	W1	W2	H	h1	Fmax	N	kg	Box
124 12 96	SS ZP	M10/M12	140	165	123	67	100	150	46	26	2300	0.69	10	
135 24 06	•	M10	140	165	123	67	100	150	34	26	2300	0.65	10	

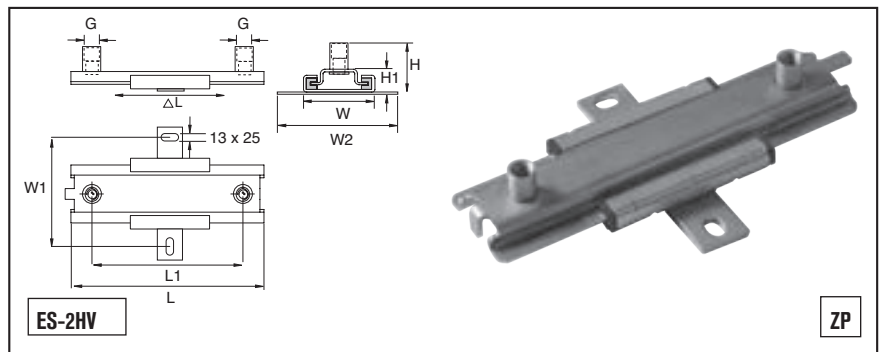
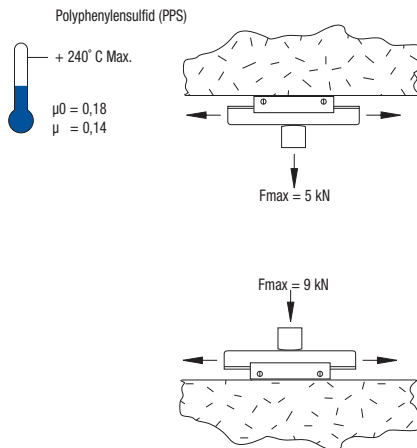


Slide Guide Type H with 1 Connection Nut



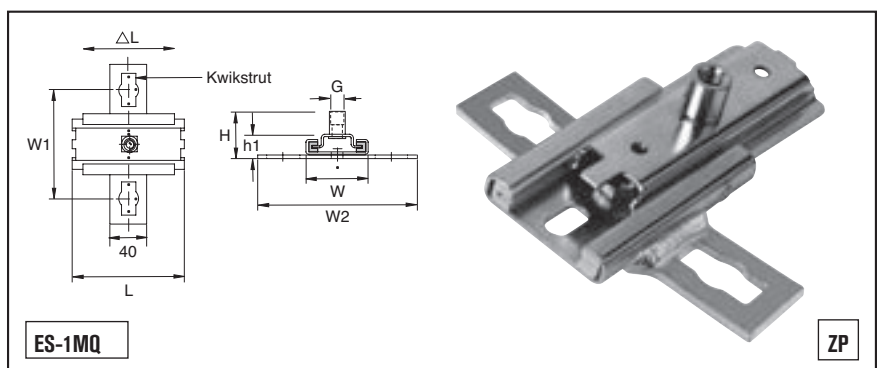
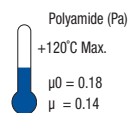
Part No.	G	ΔL	L	W	H	h1		
ZP		mm	mm	mm	mm	mm		
124 16 69	M12/M16	120	150	100	51	31	1.09	10

Slide Guide type H for Unistrut Channels with Double Connection



Part No.	G	ΔL	L	L1	W	W1	W2	H	H1		
ZP		mm	mm	mm	mm	mm	mm	mm	mm		
124 16 25	M12/M16	245	275	210	100	160	188	57	37	1.89	10

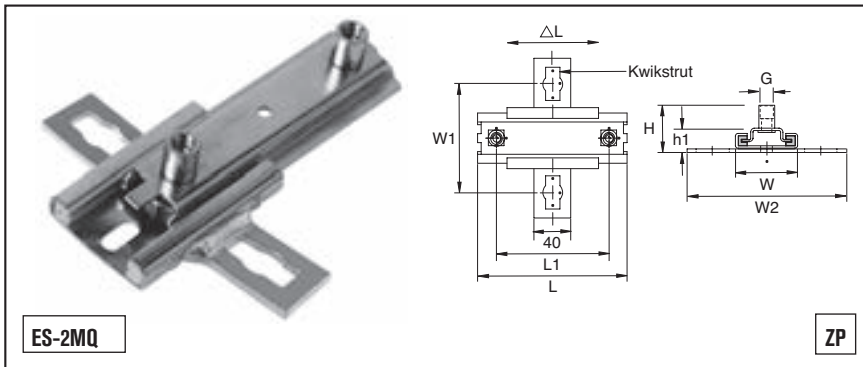
Slide Guide Type M for Kwikstrut System



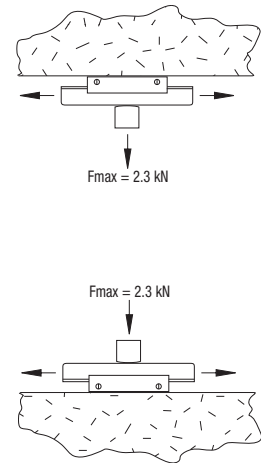
Part No.	G	ΔL	L	W	W1	W2	H	h1	Fmax		
ZP		mm	mm	mm	mm	mm	mm	mm	N		
124 12 35	M10/M12	80	122	67	117	174	47	27	2300	0.70	10

Pipe Clips

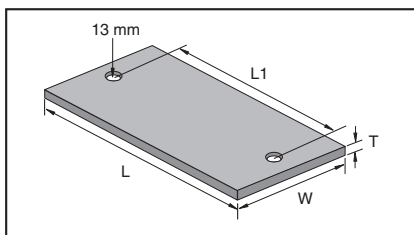
Slide Guide type M for Kwikstrut System



Part No.	G	ΔL	L	L1	W	W1	W2	H	h1	Fmax	μ	Box
ZP 124 12 55	M10/M12	140	165	123	67	117	174	47	27	2300	0.76	10



Polyamide Slide Plate



Polyamide (Pa)
+ 120° C Max.
μ0 = 0.18
μ = 0.14

Part No.	L	L1	W	T	Box
124 30 01	164	128	80	5	10

A worker in a dark jacket and light-colored pants is seen from behind, working on a large, complex metal frame structure in a factory. The structure consists of numerous interconnected metal beams and supports, forming a grid-like pattern. The background shows industrial equipment and a high ceiling with structural elements. The entire scene is overlaid with a blue tint.

Modular & Prefabricated

Off-Site Construction and Prefabricated
Solutions from Unistrut

UNISTRUT®

UNISTRUT®

PREFABRICATED & MODULAR SYSTEMS

Unistrut is able to offer a wide range of expertise and services to supply custom solutions to suit the needs of any project.

The complete bespoke solution from Unistrut

We understand the challenges that modern infrastructure projects create. It's often the case that an off-the-shelf solution is unable to answer all of your needs and requirements – especially when there are specific location, timing, or environmental issues to consider.

In these situations a bespoke solution can offer you the durability and flexibility you need to successfully deliver your project.

Our prefabricated framing service specialises in solving complex framing issues. Our ability to assess, design, build and support bespoke framing systems has proven to be invaluable on a variety of major projects.

Working with a wide range of industries

Our products help to support the infrastructure that is vital to modern industry and commerce. The Unistrut product range can be seen in over 50 industry sectors where expertise and reliability are vital to success.

Our team of framing experts design and deliver projects that keep industry functioning – from the petrochemical sector to transportation, from the oil and gas industry through to the latest developments in high-tech data-centres.



Oil and gas



Rail



Petrochemical



Aviation



Data centres



Nuclear

Trapeze Frames

Multi-Service support for mechanical, electrical and ventilation

Fully Specified

Each threaded rod unit can be supplied to the clients specific requirements, ensuring that every job is met with accurate and ready to install modules. Specific dimensions on the size of channel used and the diameter of the threaded rod can be specified to Unistrut upon enquiry.

Multiple Tiers

Each unit can be supplied as a single, or multi-tiered set, to allow for changing of configurations on-site.

Best Practice

Each trapeze frame is manufactured to Unistrut's best practice, which includes our square plate and flat washers. Unistrut ensure each unit is manufactured to comply with all applicable standards.

Application Specific

Each trapeze unit is designed to specific customer requirements, with application driven load calculations done beforehand to ensure each unit can support all on-site requirements.



H-FRAMES

Multi-Service brackets manufactured from Unistrut, available as welded or bolted systems

Unistrut's H-Frames can be supplied in two system configurations to allow for flexibility when ordering the product.

H-Frames are available as follows:

Bolted System

Unistrut's bolted system is supplied with all accessories pre-installed to the unit using nut and bolt configurations. This solution is ideal for projects where the installer may need to make small adjustments based on site requirements.

Welded System

Unistrut's welded H-frames are designed for rigidity and sustained product life. Each welded unit is supplied complete and cannot be adjusted to suit on-site requirements, as all design requirements are signed off before manufacture.



Kit Assemblies

Bespoke modular units, delivered complete & ready to install

Unistrut's kit assemblies are designed for installation on projects where multiple, repeating specifications are required, and are supplied complete, ensuring each order arrives with the exact number of components and accessories.

Benefits of kit modules include reduced waste on site, reduced time spent cutting and assembling framing, and ensuring that exact quantities are delivered each time.

Reduced time on-site

By ordering Unistrut kit modules, you can be sure each unit arrives on site, ready to install.

Reduced waste

Each unit is supplied pre-cut to exact lengths requested, ensuring no excess waste is produced on-site.

Exact quantities

Each module is delivered complete with all accessories and fittings required. This ensures no excess waste is created during installation.



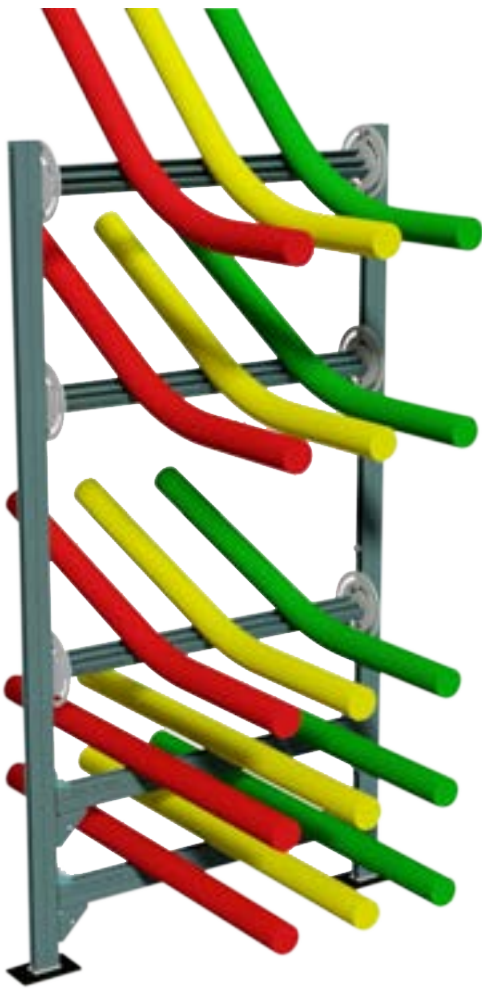
Each module supplied with a single bill of materials, and handled as a single order

When kit assemblies are ordered, each is processed as a single unit, with a bill of materials being delivered to the customer for approval.

Unistrut then manage the entire process, ensuring that each kit is supplied as one single unit, rather than one order for multiple parts.

Example bill of materials for Unistrut Kit Assembly.
Unit would be ordered with a unique code, for example **WS1011481**

Bill of materials			
Item	Qty	Part Number	Description
1	2	P1000X1000	Plain Channel PG
2	1	P1000X2000	Plain Channel PG
3	1	P1000X1250	Plain Channel PG
4	2	P1000X2500	Plain Channel PG
5	2	P1000X600	Plain Channel PG
6	4	P2223	Double Corner Bracket
7	33	PNP12A	M12 Channel Nut
8	33	933312X30	Hex-Head Bolt
9	33	125M12	Washer
Order Code			WS1011481



2D Modules to support multiple services supplying mechanical and electrical services

Similar to our H-Frames, Unistrut 2D modules are designed, manufactured and delivered to site ready to install. Utilised in housing a large amount of containment and infrastructure, including ventilation and air conditioning units, Unistrut's 2D modules can be installed vertically and horizontally.

Vertical units can be utilised to carry service risers through high-rise builds. 2D modules are also available as bolted or welded units.

Delivered complete

Each 2D module is delivered complete, ready to install and ready to house a wide variety of services.

Quality Manufacturing

Unistrut's 2D modules are manufactured to Unistrut's strict quality requirements, with each module tested to meet the load specification from the client.

Support

Unistrut's 2D modules are designed to carry a wide range of mechanical and electrical services and support pipework, also known as 'skids'.

Bolted or Welded Assembly

Unistrut's 2D modules are available as bolted or welded units, allowing for enhanced rigidity, or design flexibility as required.

Risers

Our 2D modules are designed to carry service risers throughout high-rise builds.



3D Modules

Unpopulated 3D modules, designed as extensions of the 2D model, manufactured to house a wide range of electrical and mechanical services

Unistrut 3D modules are designed to house a complex series of electrical and mechanical infrastructure.

Unistrut's modular service ensures each unit is manufactured to the customers' specific requirements, and clear guidance and technical support, as well as regular updates provided throughout the manufacturing process.

Bolted or Welded Assemblies

Unistrut 3D modules can be delivered as bolted or welded units. Bolted units give the client the flexibility to alter units to suit on-site requirements, whilst welded units provide a stronger, more rigid base to house services.

Scope of work

Unistrut are able to manufacture a wide scope of 3D modules, whether the client requires a one-off design solution, or hundreds of modules. No project is the same, and Unistrut are able to offer a wide variety of flexible solutions to suit the clients' needs.

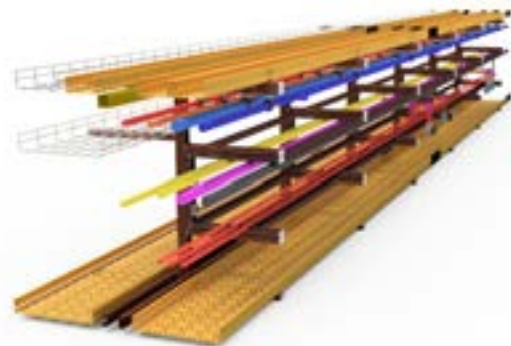


Ready to install

Unistrut 3D modules are assembled in-house at our specialist facility and delivered to site, complete and ready to install.

Flexible design service

Unistrut offer a complete design assistance service, ensuring each module is drawn and signed off before manufacture.



Fully populated modules with mechanical and electrical services installed.

Unistrut are also able to populate our 2D and 3D modules with a number of services from our range of electrical raceway products.

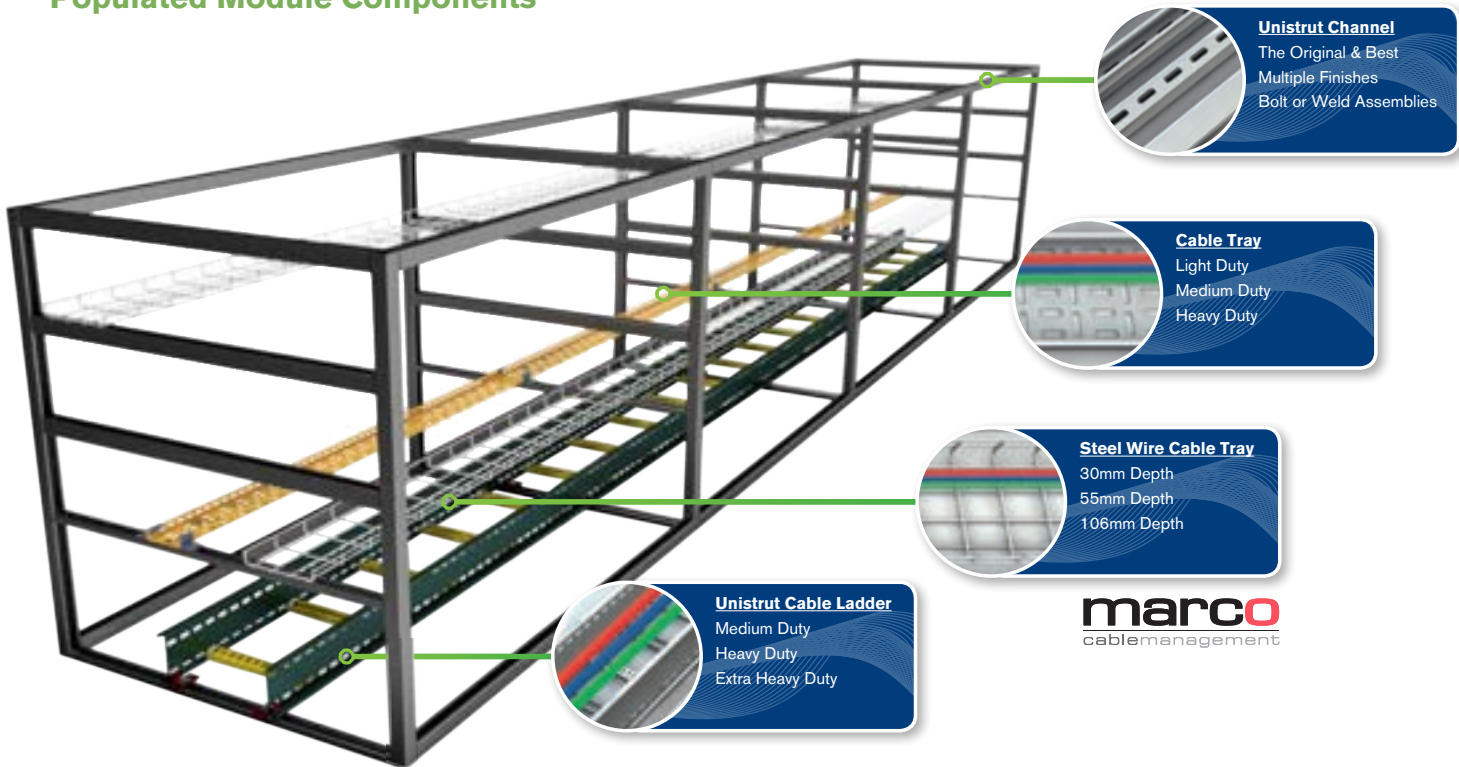
This includes our cable ladder, cable tray, cable trunking and Marco wire basket tray.

These products are all installed in the modules before shipping and secured in place using a range of Unistrut fittings and accessories.

Unistrut's ability to offer fully serviced M&E modules allows us to take on a wider variety of projects, giving our modular framing systems a wider application reach.

Quality assurance is integral to the manufacture of each module, with each being thoroughly checked prior to delivery, ensuring each unit is fully compliant with relevant standards and specifications.

Populated Module Components

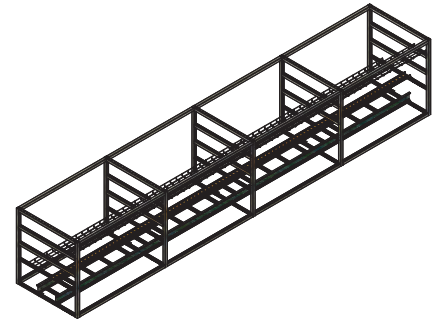


Technical Capabilities & Engineering Support

Working with clients to ensure each module is supplied in line with project timetables

Unistrut are able to offer a series of technical and engineering support services for all modular products.

Product delivery is key, and important to the construction of Unistrut modules. Unistrut is committed to delivering a complete service when it comes to designing and delivering modular framing systems. Unistrut are able to support the client throughout the entire design phase.



From initial enquiry Unistrut are able to offer a tailored service to meet all the customers' needs and requirements. With support and advice given through each step of the service to ensure the correct solutions are delivered first time.

Our service includes:

- 1. Consultation**, by sitting down with the client and having an initial requirement discussion, Unistrut can begin looking at drawings and advise on what requirements need to be met for the project, and what can be met by Unistrut.
- 2. Specification**, Once specification is given, Unistrut will look at the engineering and design requirements through detailed drawings sent from the client, from this an accurate bill of materials to provide costs for producing each module can be generated.
- 3. Drawing Delivery & Design Freeze**, Unistrut will deliver drawings and get Client approval on modular units ready to go into manufacture. Here the final decision and order is placed for the units, with customer accepting design responsibility.
- 4. Project Delivery & Schedule**, Modules are put into manufacture in-line with clients delivery schedule, to ensure each unit required for each phase of construction is delivered on time.
- 5. Manufacture**, Unistrut will begin manufacture of each module, ensuring quality checks are performed at each key stage. Client is updated with progress on their modules and continuous communication from the engineering & sales teams.
- 6. Delivery**, Upon completion, Unistrut will deliver completed modules to site, ready to install as per agreed schedule.



Consultation



Specification



Design

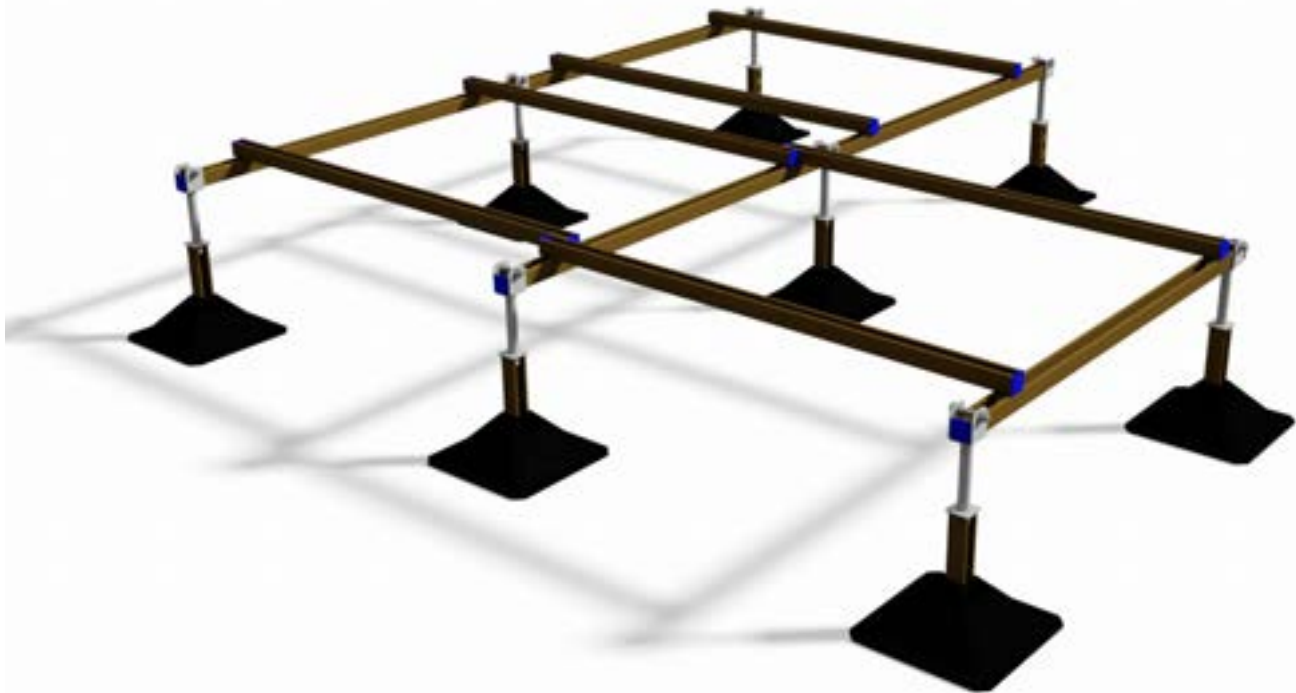


Manufacture



Support

Rooftop Support Modules



Unistrut's rooftop systems are quick to install solutions for carrying a series of rooftop services, including mechanical & electrical containment and air handling units

The Unistrut range of products have been designed to offer an economical & time saving solution for mounting building services, such as pipe work, electrical containment, air conditioning & refrigeration equipment on flat roofs.

Key Features

- Available as base units & extension units
- Height adjustable from 300 to 405mm
- Fully load tested
- Designed to support all types of rooftop services, including air handling units
- Comes in kit form for easy shipping and storage
- Easy to follow assembly instructions included
- Extender frames add on to base frame offering design flexibility

For more information on our rooftop support modules, contact us today

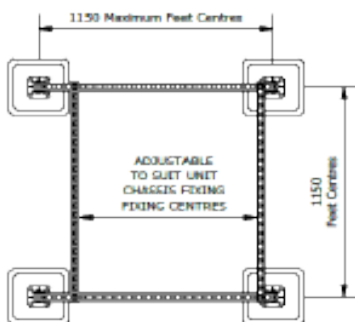
Rooftop Support Modules

Key Features

Each Uniframe module has complete installation flexibility, able to accept any length of Unistrut channel, and with adjustable height legs, Uniframe is the perfect solution for all types of rooftop support projects.

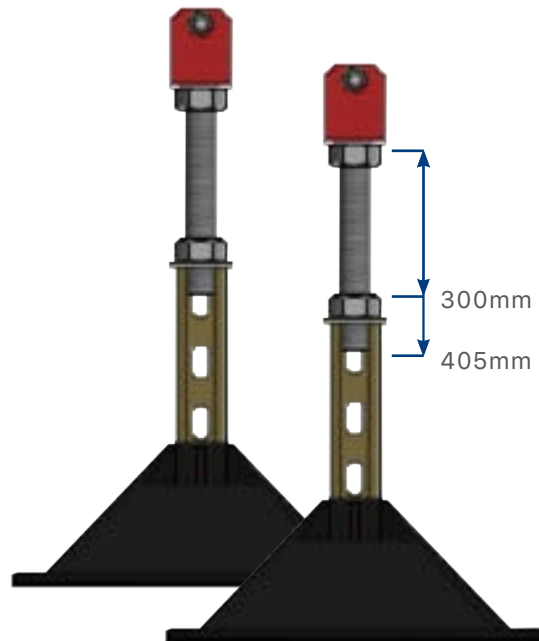
Adjustable Height

Uniframe's adjustable foot pedestal allows for unit height to be increased or decreased by over 100mm to suit on site applications.



Channel you can trust

All products in the Uniframe range are assembled using Unistrut channel and supporting products, ensuring the highest quality throughout.



All in the box

Each component required to assemble a base or extension is supplied in the box, ready to install with all required accessories and components.



HD Beams

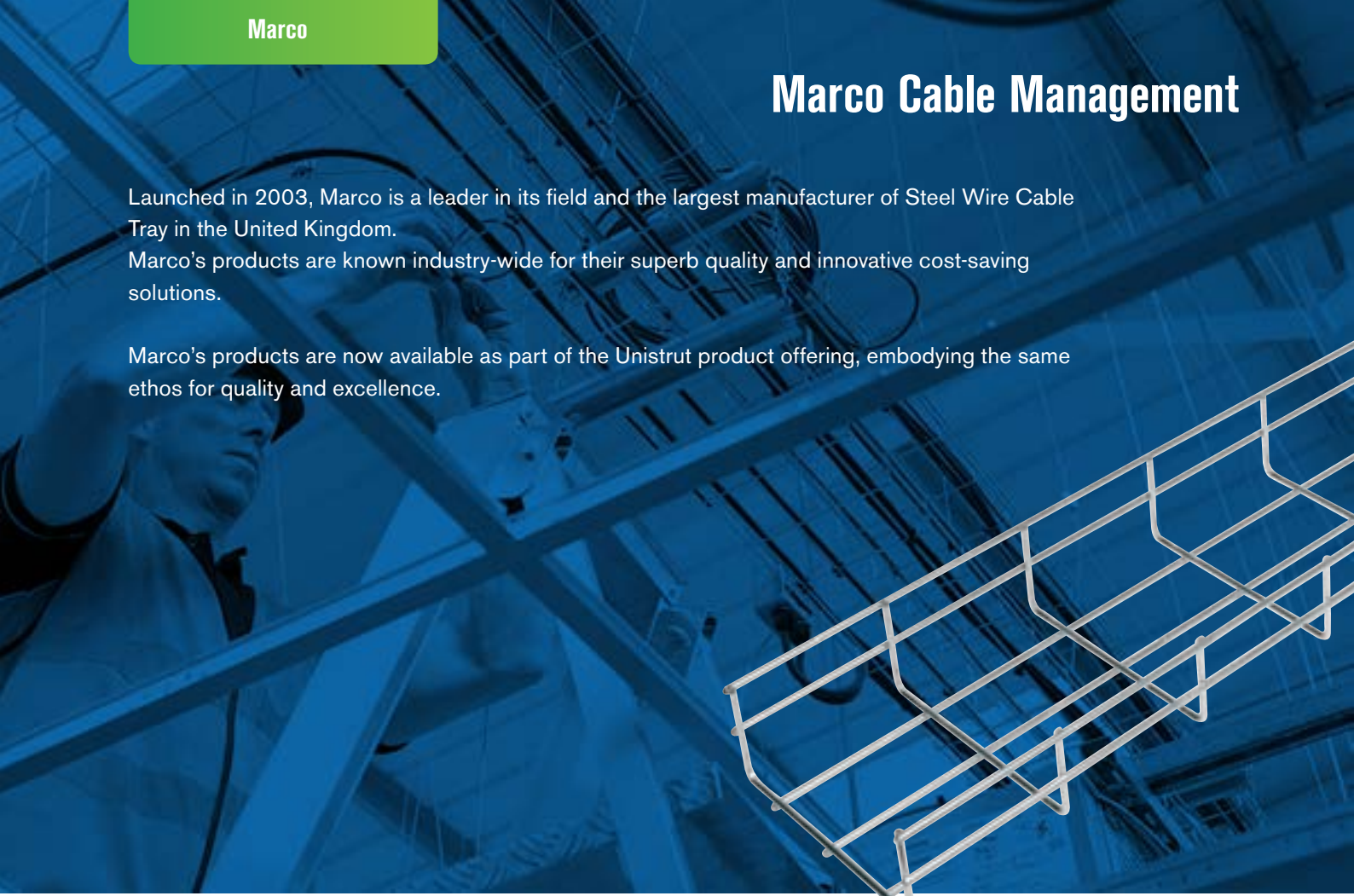
These allow load to be distributed evenly by being placed accurately, such as over existing obstacles. Each unit has adjustable height and comes complete with beam clamps.

Marco Cable Management

Launched in 2003, Marco is a leader in its field and the largest manufacturer of Steel Wire Cable Tray in the United Kingdom.

Marco's products are known industry-wide for their superb quality and innovative cost-saving solutions.

Marco's products are now available as part of the Unistrut product offering, embodying the same ethos for quality and excellence.



Marco is also a leading manufacturer of uPVC perimeter containment systems. A striking series of trunking systems with a pure white finish that's been designed for use in both power and the latest structured cabling solutions, including CAT5E, CAT6, CAT6A and CAT7. Manufactured using high impact-resistant uPVC ensures Marco's trunking systems are sturdy and robust, able to retain their appearance in a number of installation environments.

Marco's uPVC range is also available with anti-microbial protection, helping to defend against 99.9% of harmful bacteria.



marco
cablemanagement

A PART OF **atkore**
INTERNATIONAL

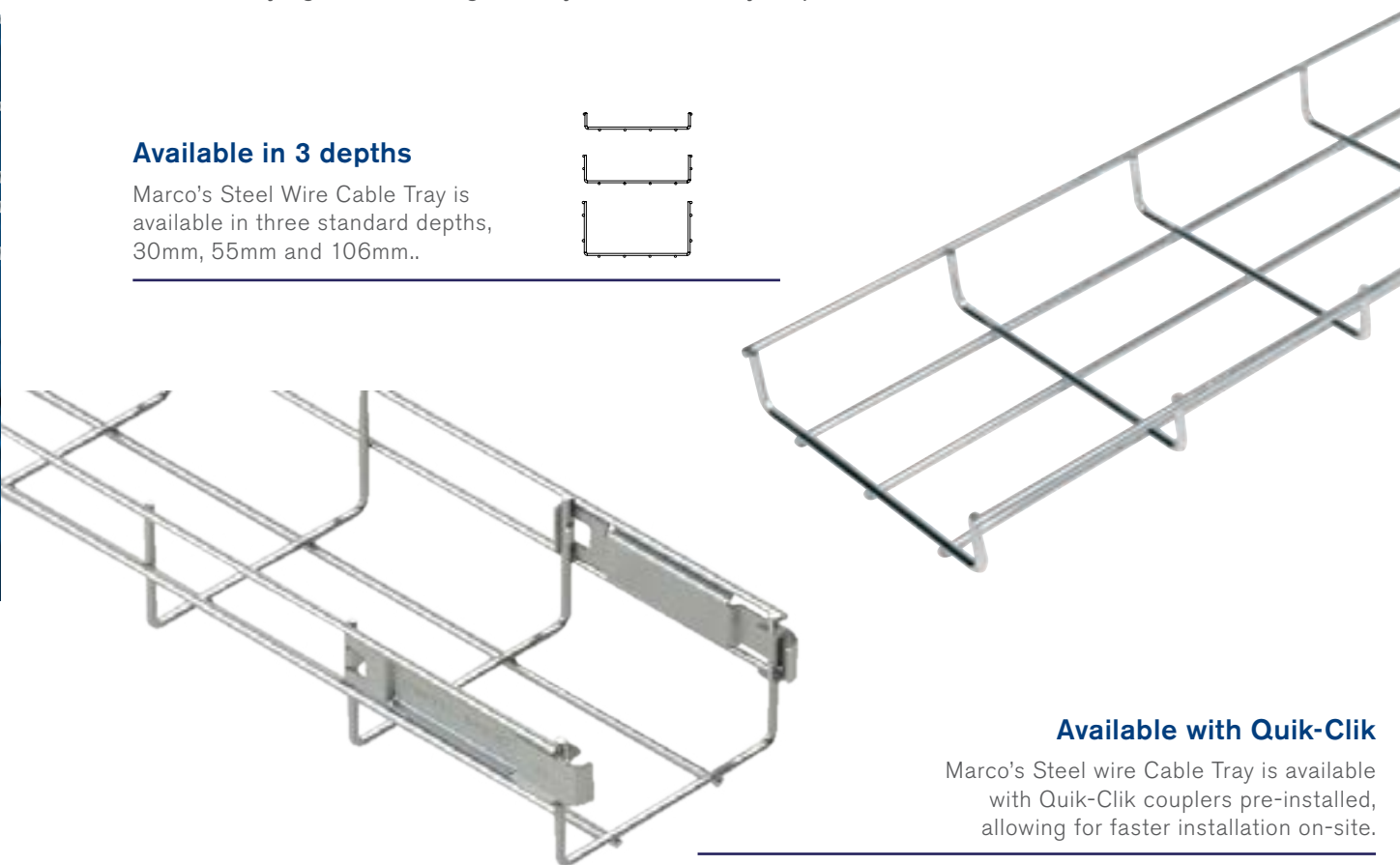
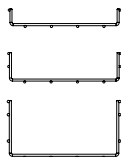
Marco Steel Wire Cable Tray

Marco Cable Management

Lightweight and durable, Marco's steel wire cable tray is available in a number of configurations, each tray is produced in 3 metre lengths and supplied in pack quantities. The range is complemented by a wide variety of fittings and accessories, all designed to make modifying and installing the tray on site as easy as possible.

Available in 3 depths

Marco's Steel Wire Cable Tray is available in three standard depths, 30mm, 55mm and 106mm..



Available with Quik-Clik

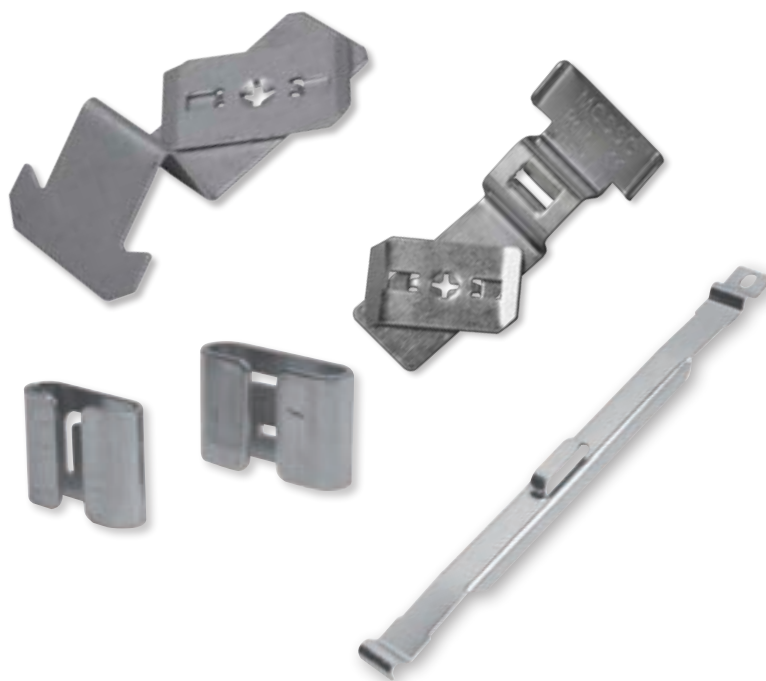
Marco's Steel wire Cable Tray is available with Quik-Clik couplers pre-installed, allowing for faster installation on-site.

Accessories

Fast-Fix Accessories Range

Marco's Steel Wire Cable tray is supported by a large range of fittings and accessories, all designed to speed up and reduce installation times on-site.

Marco's steel wire cable tray accessories now include the Quik-Clik solution (MCM Range) which allows for two lengths of tray to be joined together in under two seconds. The wire tray comes with couplers pre-installed, allowing for even quicker installation. The couplers can be removed and re-attached as required so no fittings are wasted when cutting the wire trays down to size.



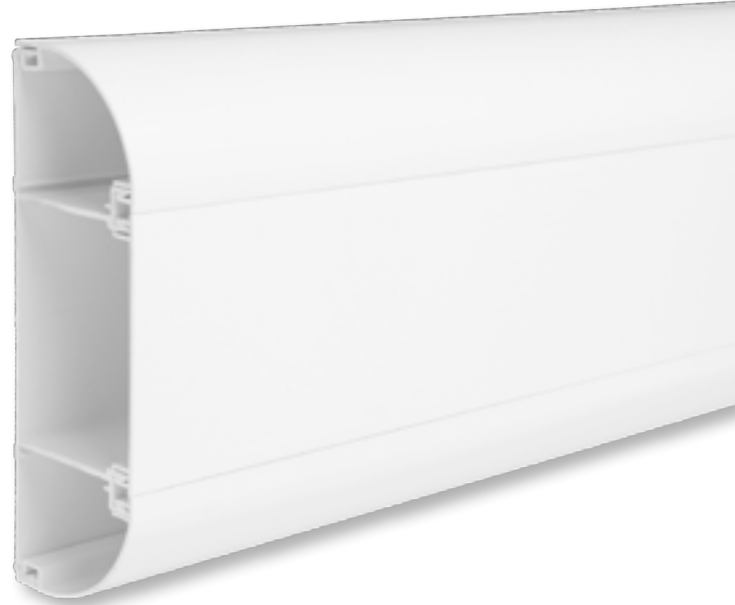
Marco Cable Management

Multiple Solutions

Marco's trunking systems offer an innovative design solution to the growing power and data markets.

Each trunking system has been specifically designed to perform in all kinds of installation environments and are all available with a suite of accessories and fittings.

Marco's trunking lengths are supplied as complete units and include the base, top and bottom lids and universal centre lid.



Multiple Specifications

Marco's trunking systems are available in a number of specifications to meet on-site requirements. From meeting cabling requirements including CAT5E, CAT6, CAT6A, and CAT7 to utilising anti-bacterial protection and DDA compliance, Marco's trunking systems can facilitate any job requirement.

Made to Last

Marco's trunking systems are manufactured from high impact-resistant uPVC. Sturdy and robust, the trunking is designed to bear the stress of everyday use and retain its appearance for longer.



Marco trunking meets and exceeds the requirements for (BS 6701), BS 4678 Pt4, BS 7671, ISO/IEC 11801-1:2007 (ED2.0 Amd 2) and Cenelec (BS EN50173 Part 1 / 2, BS EN50174-2) standards.
Please contact our sales team for more information on the range.

Marco Aluminium

Marco Cable Management

Strong and Secure

Marco's Aluminium poles and bench trunking are manufactured with a strong aluminium profile, designed to remain rigid and secure in all installation environments.

Ready, straight out of the box

Marco's Power poles are ready to install straight out of the box, they come packed with 6 x socket boxes, a floor boot, ceiling shroud and 6 metres of dividing strip

DDA & Part M

The pole and bench systems are able to accept the Marco universal centre lid, allowing them to achieve DDA compliance through the use of contrasting colour configurations.



Two Colours Available

Both the poles and bench trunking are available in standard aluminium and white powder coated finishes.



Marco Cable Management



Marco's range of cavity floor boxes have been designed as a power and data outlet for raised floor applications, able to accommodate CAT5E, CAT6 and CAT6A structured cabling solutions. Installation of the Marco floor box is fast and secure thanks to the four spring-fit fixing clips installed on each box.

Cavity Floor Boxes

- Available in 3 & 4 compartments
- Available in three depths
- 6mm recess for floor covering
- CAT5E, CAT6 and CAT6A compatible
- Pre-fitted dividing fillets
- Base manufactured from galvanised steel
- 20 & 25mm knock-outs to accept conduit
- Lid & trim assembly manufactured from ABS
- Two cable outlets providing 60 x 15mm access
- Four spring fixing clips for ease of installation



Flush-Screed Trunking

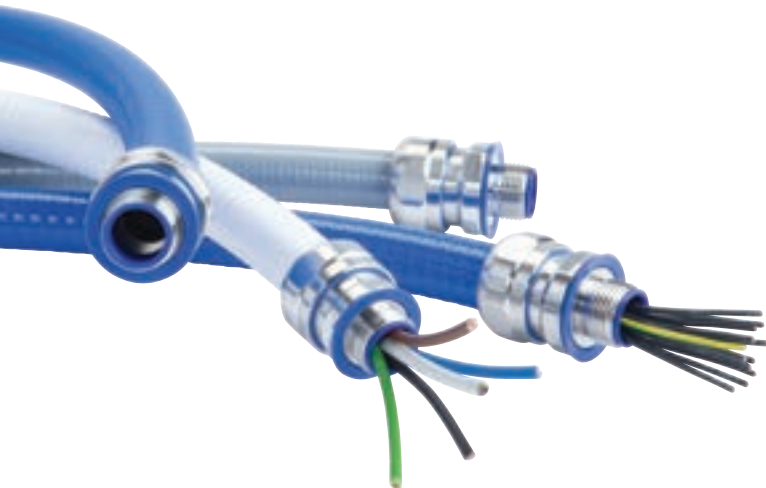
The latest addition to the Marco underfloor range. The Flush-Screed trunking system combines lengths of galvanised steel trunking with three compartment outlet boxes to produce a sturdy and robust system designed as a long term carrying solution for power and data cabling.

Flush-screed trunking is a flexible solution for distributing services around large open-plan spaces such as offices or conference halls.

Flexicon are manufacturers of flexible conduit solutions and are able to offer a comprehensive range of Flexible Conduit and Pliable Conduit systems for Cable Protection. The system is comprised of 60 metallic and non-metallic systems, designed for use in a number of environments including Rail, Transport, Renewables, Utilities, Petrochemical and the Food and Beverage sector.

FLEXICON

FLEXIBLE CONDUIT SOLUTIONS



Metallic Conduit & Fittings

- High compression strength
- High pull off strength
- Wide temperature tolerances
- High impact strength
- EMC screening performance
- High IP rating, up to IP69
- Suitable for a range of applications, including heavy duty
- No risk of water or dust ingress

Non-Metallic Conduit & Fittings

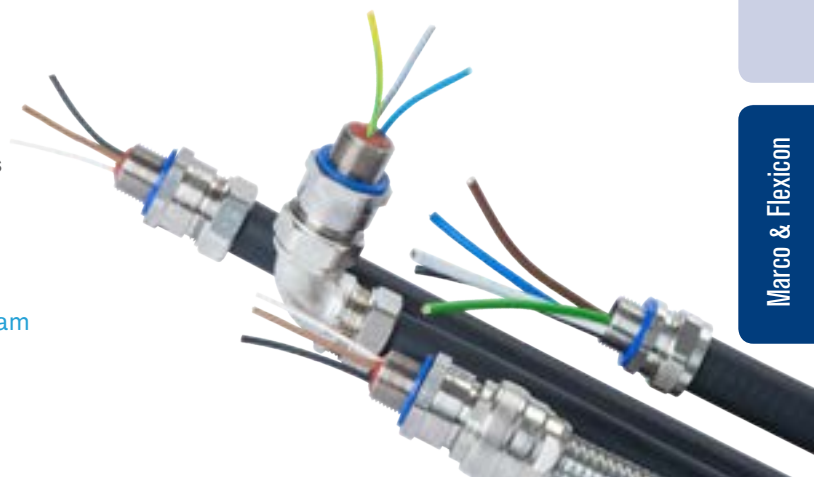
- Wide range of sizes
- Light weight
- Easy to cut
- High fatigue life
- Superior IP ratings, up to IP69
- Slit versions available
- Non corrosive
- Highly flexible



Flexicon utilise world-class technological know-how and continue to develop Flexible Conduit solutions, providing new products for some of the most demanding markets for Cable Protection.

With superior Technical supports we are the experts you can rely on for your Cable protection needs.

For more information on Flexicon's products and services, visit www.flexicon.uk.com or contact the team today





Complete Data Centre Management, from the UK's Number 1 Manufacturer

Channel Framing. Cable Ladder. Cable Tray. Prefabricated Units

Date Centre management is easy when utilising the complete Unistrut & Marco range, with products including cable ladder, traditional and spliced tray, steel wire cable tray and a wide range of uPVC trunking systems ensuring all your needs are met by the same supplier.

For more information, contact us or visit us online at
www.unistrut.co.uk and www.marco.cm.com

RACEWAY. YOUR WAY.™

UNISTRUT®

marco
cablemanagement

A PART OF **atkore**
INTERNATIONAL

Part Code Index

310810	70	119 48 13	139	125 80 54	141	133 16 08	141
310812	70	119 48 80	140	125 80 60	141	135 01 52	142
311008	70	119 50 10	140	125 80 70	141	135 01 82	142
311012	70	119 50 80	140	125 80 76	141	135 02 22	142
311016	70	119 54 10	140	125 80 89	141	135 02 82	142
311208	70	119 54 13	139	125 81 14	141	135 03 52	142
311210	70	119 54 80	140	1253M10	69	135 04 02	142
311216	70	119 57 10	140	1253M12	69	135 04 22	142
311610	70	119 57 80	140	1253M16	69	135 04 82	142
311612	70	119 60 10	140	1253M6	69	135 05 42	142
1392196	62	119 60 13	139	1253M8	69	135 06 02	142
1392196	62	119 60 80	140	1254M10	69	135 07 02	142
1392197	62	124 30 01	151	1254M12	69	135 07 52	142
1394196	62	125 60 18	138	1254M16	69	135 08 82	142
1394197	62	125 60 22	138	1254M6	69	135 11 42	142
1394198	62	125 60 28	138	1254M8	69	146 00 81	145
119 06 38	139	125 60 35	138	1255M10	69	146 01 01	145
119 06 88	139	125 60 40	138	1255M16	69	146 01 08	145
119 07 58	139	125 60 42	138	1255M2	69	146 01 21	145
119 08 48	139	125 60 48	138	1255M6	69	146 02 21	145
119 08 88	139	125 60 54	138	1255M8	69	146 02 81	145
119 09 78	139	125 60 60	138	128 01 85	140	17AF	68
119 10 68	139	125 60 70	138	128 02 25	140	19AF	68
119 10 98	139	125 60 76	138	128 02 85	140	63343M10	70
119 11 38	139	125 60 80	138	128 03 55	140	63343M12	70
119 12 28	139	125 60 89	138	128 04 05	140	63343M16	70
119 13 18	139	125 61 14	138	128 04 25	140	63343M6	70
119 13 78	139	125 70 15	138	128 04 85	140	63343M8	70
119 15 10	140	125 70 18	138	128 06 05	140	63344M10	70
119 15 80	140	125 70 22	138	128 06 86	140	63344M12	70
119 15 88	139	125 70 28	138	128 07 26	140	63344M16	70
119 16 48	139	125 70 35	138	128 08 66	140	63344M6	70
119 18 10	140	125 70 40	138	128 09 76	140	63344M8	70
119 18 13	139	125 70 42	138	128 10 66	140	63345M10	70
119 18 80	140	125 70 48	138	128 11 06	140	63345M12	70
119 22 10	140	125 70 54	138	128 12 56	140	63345M16	70
119 22 13	139	125 70 60	138	128 13 96	140	63345M6	70
119 22 80	140	125 70 70	138	128 16 86	140	63345M8	70
119 28 10	140	125 70 76	138	133 01 68	141	9343M10	69
119 28 13	139	125 70 83	138	133 02 08	141	9343M12	69
119 28 80	140	125 70 89	138	133 02 58	141	9343M6	69
119 35 10	140	125 71 14	138	133 03 28	141	9343M8	69
119 35 13	139	125 80 15	141	133 04 08	141	9344M10	69
119 35 80	140	125 80 18	141	133 05 08	141	9344M12	69
119 40 10	140	125 80 22	141	133 06 38	141	9344M6	69
119 40 80	140	125 80 28	141	133 07 88	141	9344M8	69
119 42 10	140	125 80 35	141	133 09 08	141	9345M10	69
119 42 13	139	125 80 40	141	133 11 08	141	9345M12	69
119 42 80	140	125 80 42	141	133 12 58	141	9345M6	69
119 48 10	140	125 80 48	141	133 13 58	141	9345M8	69

EAM10	71	M6X[L]RB	68	P1184-P	66	P2491[W]	26
EAM12	71	M6X10MMHSZP	130	P1186, P2106, 02108	54	P2600	144
EAM16	71	M6X30SN	51	P1218	59	P2631T	64
EAM20	71	M8X[L]HS	68	P1218	66	P2633T	64
EAM6	71	M8X[L]M	71	P1271	61	P2663T	63
EAM8	71	M8X[W]SN	51	P1272	61	P2665T	64
EB100	25	MW2	75	P1278	56	P2668T	63
ES-1H	150	OCB[W]	26	P1325	55	P2749	67
ES-1M	148	OCBL[W]	25	P1326	55	P2750/1	67
ES-1MQ	150	P1000	41	P1346	56	P2785 - P2787	60
ES-1MV	149	P1001	42	P1347	59	P2851	54
ES-1S	148	P1001-3	48	P1354	54	P2901	66
ES-2HV	150	P1001-A	48	P1358	53	P2902	66
ES-2M	149	P1001-A3	48	P1359	56	P2903	66
ES-2MQ	151	P1001-B	48	P1377	59	P2949	67
ES-2MV	149	P1001-B3	48	P1386	60	P2950	67
FIL00212	143	P1001-C	48	P1386-S1	60	P3087	60
FIL00272	143	P1001-C3	48	P1453	59	P3270	49
FIL00342	143	P1001-c31	48	P1458	56	P3300	43
FIL00422	143	P1001-C32	48	P1546, P2095, P2097	54	P3300T10	43
FIL00482	143	P1001-C33	48	P1580	53	P3301T10	44
FIL00602	143	P1001-C41	48	P170	146	P3370	49
FIL00762	143	P1001-C42	48	P171	146	P4000T10	45
FIL00892	143	P1001-C43	48	P1727	56	P4045	58
FIL01142	143	P1001T	42	P1737	58	P4047	58
FIL01682	143	P1003	48	P1796	61	P5000T	46
FIL02192	143	P1003-1	48	P1796-A	61	P5001T	46
FIL02732	143	P1004	48	P1796-B	61	P5500T	47
FL	73	P100T	41	P1834	67	P5501T	47
FLS	73	P1019 - P1020	52	P1834A	67	PNL06-PNL12A	50
GHML	72	P1026	55	P1941	52	PNP06-PNP12A	50
GHMR	72	P1026-S1	55	P1983	60	PNP16	50
HBH	65	P1031	53	P2000T	45	PNS06-PNS12A	50
HBL	65	P1033	55	P2072-S1	57	PS0153	145
HBLD	65	P1036	53	P2072-S2	57	PS0154	145
HBM	65	P1037	56	P2072-S3	57	PS0203	145
M10	68	P1038	56	P2072A	57	PS0204	145
M10X[L]HS	68	P1043	58	P2073	57	PS0253	145
M10X[L]M	71	P1044	59	P2073A	57	PS0254	145
M10X[W]SN	51	P1045	58	P2101 - P2103	54	PS0323	145
M10X40CP	68	P1047	58	P2223	57	PS0324	145
M1108 - M1155	144	P1062T/P1064T	53	P2322	53	PS0403	145
M12	68	P1063/06 - P1063/12	52	P2341 L	57	PS0404	145
M12X[L]HS	68	P1065	52	P2341R	57	PS0503	145
M12X[L]M	71	P1066	52	P2346	57	PS0504	145
M12X40CP	68	P1067	52	P2348-S1	57	PS0653	145
M16X[L]M	71	P1068	55	P2348-S2	57	PS0654	145
M16X[W]SN	51	P1074	54	P23663	63	PS0803	145
M6X[L]HS	68	P1184-F	62	P2484	55	PS0804	145
M6X[L]M	71	P1184-P	62	P2489	61	PS1003	145

Part Code Index

PS1004	145	RLU22BT90	134	TUHLT[W]/20	14	U10EC	93
PS1253	145	RLU22BTT	135	TUHSO	25	U10ET[W]/10/30	92
PS1254	145	RLU22E	135	TUHSR[W]	21	U10FB[W]/45/30	90
PS1503	145	RLU22E	136	TUHT[W]	19	U10FB[W]/90/30	91
PS1504	145	RLU22F	135	TUHX[W]	18	U10IR[W]/45	96
PS2003	145	RLU22FT	135	TULB[W]/45	16	U10IR[W]/90	97
PS2004	145	RLUCOUPNG	135	TULB[W]/90	17	U10L3[W]	86
PS2503	145	RLUCOUPSRT	135	TULFP[W]	23	U10L6[W]	86
PS2504	145	RLUCR	135	TULL[W]/10	12	U10OR[W]/45	94
PS3003	145	RLULID20PG	136	TULL[W]/15	12	U10OR[W]/90	95
PS3004	145	RLULID20PL	136	TULL[W]/20	12	U12/SE[W]	102
PSB	74	RLUSUS5011	136	TULSR[W]	21	U12EC	93
PSB-P	74	RLUSUS5020	136	TULT[W]	19	U12ET[W]/10/30	92
PYWM10X[W]	70	RS	72	TULX[W]	18	U12FB[W]/45/30	90
PYWM6X[W]	70	RU[SF][ST]R	125	TUM/SC	23	U12FB[W]/90/30	91
PYWM8X[W]	70	RU[WL]	116	TUM/WC	23	U12IR[W]/45	96
QB	81	RU[WL]B	125	TUMAR[W]	20	U12IR[W]/90	97
QB124	80	RU[WL]CU	129	TUMB[W]/45	16	U12L3[W]	87
QB41	80	RU[WL]E	128	TUMB[W]/90	17	U12L6[W]	87
QB82	80	RU[WL]FA	129	TUMLT[W]10	13	U12OR[W]/45	94
QBF	81	RU[WL]FU	128	TUMLT[W]15	13	U12OR[W]/90	95
QCA	81	RU[WL]GBI45	118	TUMLT[W]20	13	U15/SE[W]	103
QCN	77	RU[WL]GBI90	120	TUMSD	25	U15EC	93
QEN	77	RU[WL]GBO45	119	TUMSR[W]	21	U15ET[W]/10/30	92
QFA	78	RU[WL]GBO90	121	TUMT[W]	19	U15FB[W]/45/30	90
QFA135	78	RU[WL]GBT09	119	TUMX[W]	18	U15FB[W]/90/30	91
QFAZ	78	RU[WL]GBT45	118	TUSB[W]	26	U15IR[W]/45	96
QFCD	79	RU[WL]GFT	124	TUTSB[W]	25	U15IR[W]/90	97
QFCL/QFCR	79	RU[WL]GTI	123	U[H]/HDB	102	U15L3[W]	88
QFFA	78	RU[WL]GTO	124	U[H]/SC	102	U15L6[W]	88
QFFA 45	79	RU[WL]GTT	122	U/2TEE	103	U15OR[W]/45	94
QFFA135	78	RU[WL]SBI90	121	U/CLIP	103	U15OR[W]/90	95
QFFS	80	RU[WL]SBO90	122	U/COV	101	UDTB2	130
QFFSS	80	RU[WL]SBT90	120	U/COVCLIP	101	UEL	130
QFFT	78	RU[WL]SBTT90	123	U/CUR30	104	UES100-300	104
QFNH	77	SN	51	U/CUR70	104	US	148
QFT	79	SS2A - SS2N	144	U/DIV30	104	VN	75
QFU	79	TD	74	U/DIV70	104	Z10	60
QFX	79	TUCH/CC	24	U/DO/[W]	105		
QKON	81	TUCH/VC	24	U/FIX	105		
QLCA	81	TUCHLT[W]/10	24	U/MP	104		
QRN	77	TUCM/CC	24	U/RRD	104		
QUB	81	TUCM/VC	24	U/RSP	103		
RLU22]BI90	134	TUH/SC	23	U/WCH	104		
RLU2230	132	TUH/WC	23	U10/HDB	103		
RLU2245		TUHAR[W]	20	U10/HSP	100		
RLU22BI45	134	TUHB[W]/90	17	U10/SE[W]	102		
RLU22BO45	134	TUHB[W]45	16	U10/SP	100		
RLU22BO90	134	TUHLT[W]/10	14	U10/TEC	100		
RLU22BT45	134	TUHLT[W]/15	14	U10/VSP	100		

UNISTRUT®

Unistrut Ltd.

Delta Point
Greetings Green Road
West Bromwich
B70 9PL
England

Phone / +44 (0) 121 580 6300
Fax / +44 (0) 121 580 6370

www.unistrut.co.uk

Marco Cable Management

Unit 8
Bryn Cefni Industrial Park
Llangefni
LL77 7XA
Wales

Phone / +44 (0) 1248 725 772
Fax / +44 (0) 1248 725 788

www.marcocm.com

Flexicon Ltd.

Roman Way
Coleshill
Birmingham
B46 1HG
England

Phone / +44 (0) 1675 466 900
Fax / +44 (0) 1675 466 901

www.flexicon.uk.com



UNISTRUT®



RACEWAY. YOUR WAY.™

A PART OF **atkore**
INTERNATIONAL